

Burnett Residence

2105 PEASE RD.

AUSTIN TX. 78703

General Millwork Notes

- Verify all field dimensions and site conditions before fabrication.
- Acquire all necessary appliance and equipment cut sheets before fabrication.
- Verify field conditions are acceptable before delivery and/or installation of product.

Finish Schedule

PT-1	EXTERIOR PAINT FINISH: ARCHITECT TO PROVIDE
WD-1	INTERIOR FINISH: PRE-FINISHED BIRCH
	DRAWER BOXES TO BE 1/2" THICK PRE-FINISHED BIRCH

Cabinet Hardware Schedule

Hinges	BUTT HINGES
Cabinet Pulls	ARCHITECT TO PROVIDE SPEC

Table of Contents

PLAN @ BEDROOM 202	PG. PL-2.1
PLAN MARK'S CLOSET 210 / MELISSA'S CLOSET 209	PG. PL-2.2
PLAN MASTER BATH 211	PG. PL-2.3
ELEVATION @ BEDROOM CLOSET ROOM 202	PG. 2.12
ELEVATION @ BEDROOM CLOSET ROOM 200	PG. 2.13
SECTION @ BEDROOM 205 CABINET	PG. 2.14
PLAN SECTION @ BEDROOM 205 CABINET	PG. 2.15
SECTION @ BEDROOM CABINET	PG. 2.16
DETAILS @ BEDROOM CABINET	PG. 2.17
DETAILS @ BEDROOM CABINET	PG. 2.18
DETAILS @ BEDROOM CABINET	PG. 2.19
ELEVATION @ MARK'S CLOSET 210 WEST	PG. 2.20
ELEVATION @ MARK'S CLOSET 210 EAST/SOUTH	PG. 2.21
SECTIONS @ MARK'S CLOSET 210	PG. 2.22
SECTIONS @ MARK'S CLOSET 210 WEST/NORTH	PG. 2.23
ELEVATION @ MELISSA'S CLOSET 209 WEST/NORTH	PG. 2.24
ELEVATION @ MELISSA'S CLOSET 209 WEST/EAST	PG. 2.25
PLAN SECTION @ MELISSA'S CLOSET 209	PG. 2.26
SECTION @ MELISSA'S CLOSET 209	PG. 2.27
DETAILS @ MELISSA'S CLOSET 209/MARK'S CLOSET	PG. 2.28
DETAILS @ MELISSA'S CLOSET 209	PG. 2.29
DETAILS @ MELISSA'S CLOSET 209	PG. 2.30
ELEVATION/PLAN SECTION @ MASTER BATH HALL	PG. 2.31
SECTION @ MASTER BATH HALL	PG. 2.32
DETAILS @ MASTER BATH HALL	PG. 2.33
ELEVATION @ MASTER BATH 211 EAST	PG. 2.34
PLAN SECTION @ MASTER BATH 211 EAST	PG. 2.35
SECTION @ CABINET MASTER BATH	PG. 2.36
DETAILS @ CABINET MASTER BATH	PG. 2.37

Logan Inc.

701 Tillery Ste. #10

Austin, Texas 78702



DESIGNS BY FRENCH

(Office) 214 - 774 - 9736

jfrench@dbfmillworkdrafting.com

DRAWN BY: JF.
 DATE DRAWN: 5/24/2010
 SCALE: N/A
 FILE NAME: BURNETT RES.

REVISIONS:

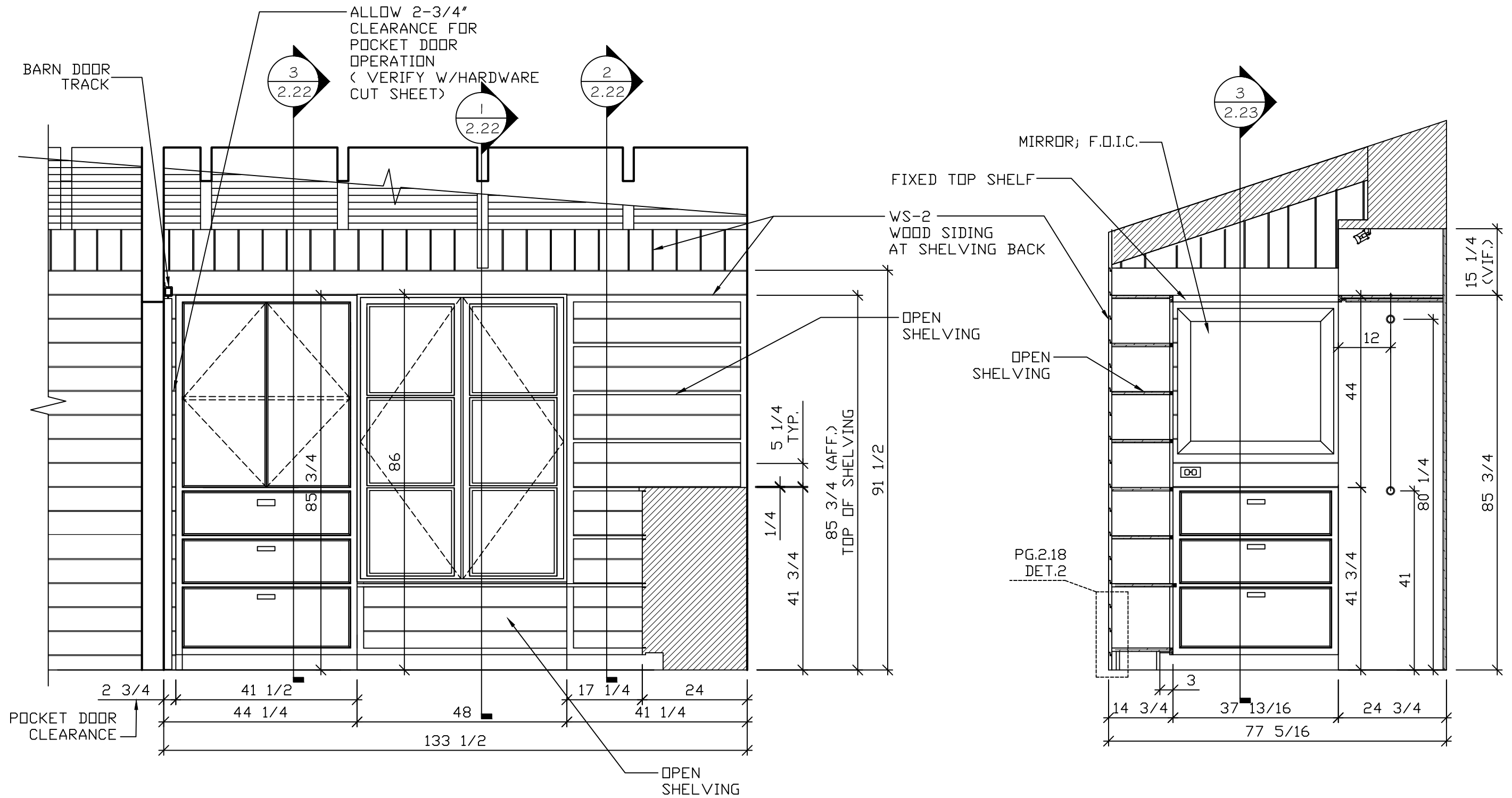
△	
△	
△	
△	

JOB #: N/A
 JOB: Burnett Residence
 2105 PEASE RD.
 AUSTIN TX. 78703

TITLE: FINISH SCHEDULE

PAGE #

FIN-0.2

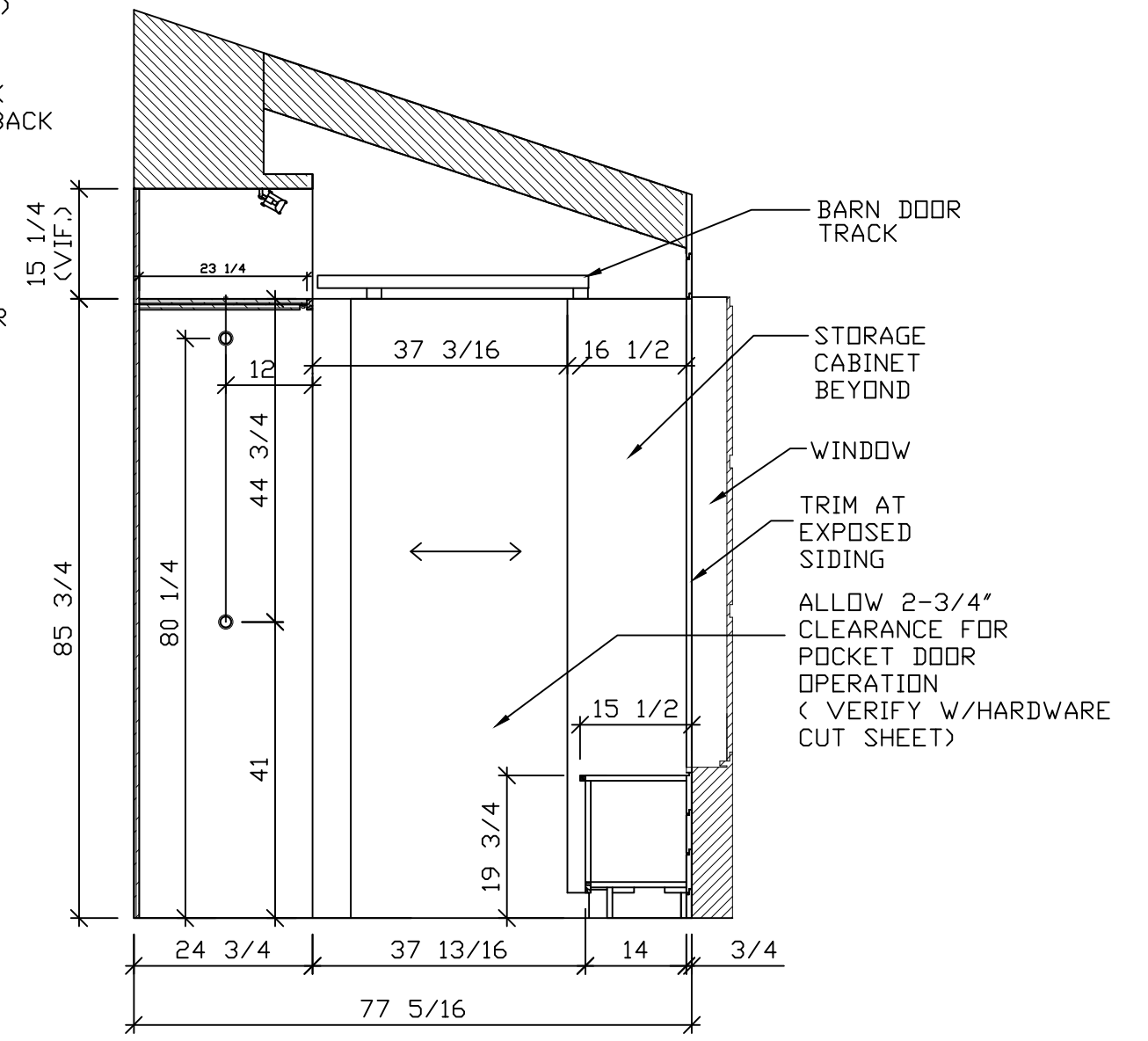
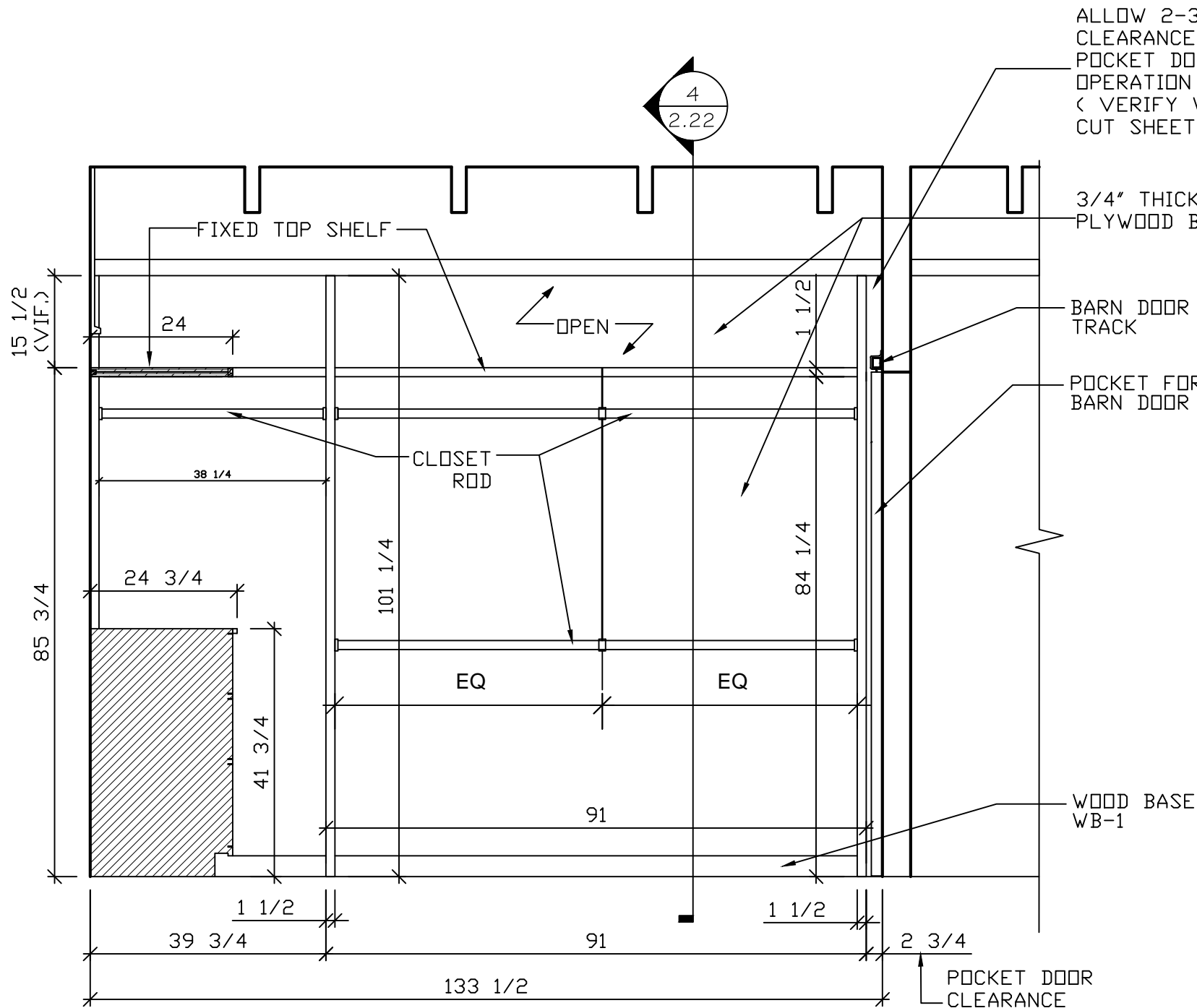


① ELEVATION @ MARK'S CLOSET 210 WEST
 1/2" = 1'-0" EXTERIOR-PT-1: ARCHITECT TO PROVIDE
 INTERIOR-WD-1: PRE-FINISHED BIRCH
 REF.ELEV. 8/A4.7 ARCH

② ELEVATION @ MARK'S CLOSET 210 NORTH
 1/2" = 1'-0" EXTERIOR-PT-1: ARCHITECT TO PROVIDE
 INTERIOR-WD-1: PRE-FINISHED BIRCH
 REF.ELEV. 8/A4.7 ARCH



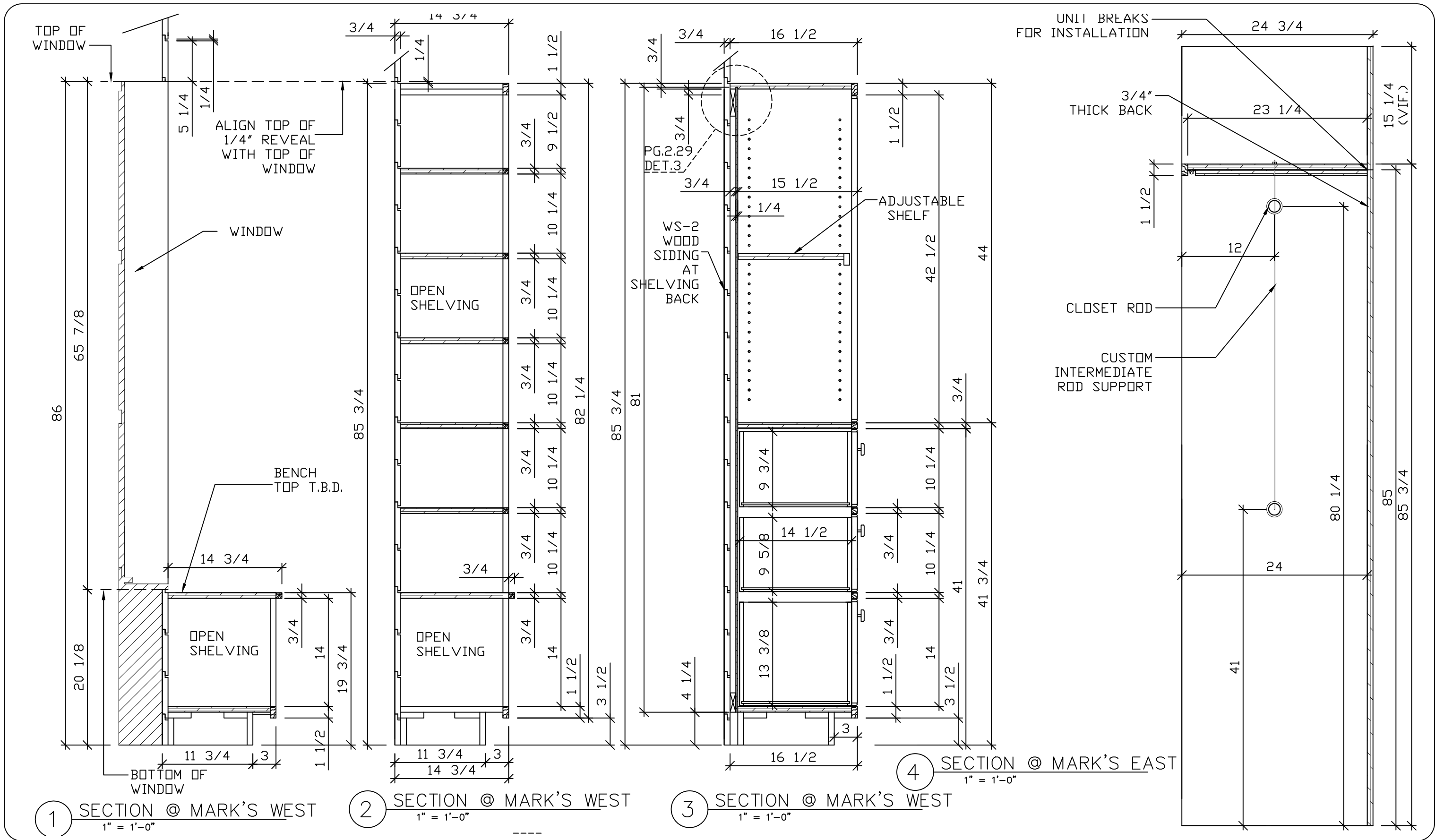
REVISIONS:
▲
▲
▲
▲

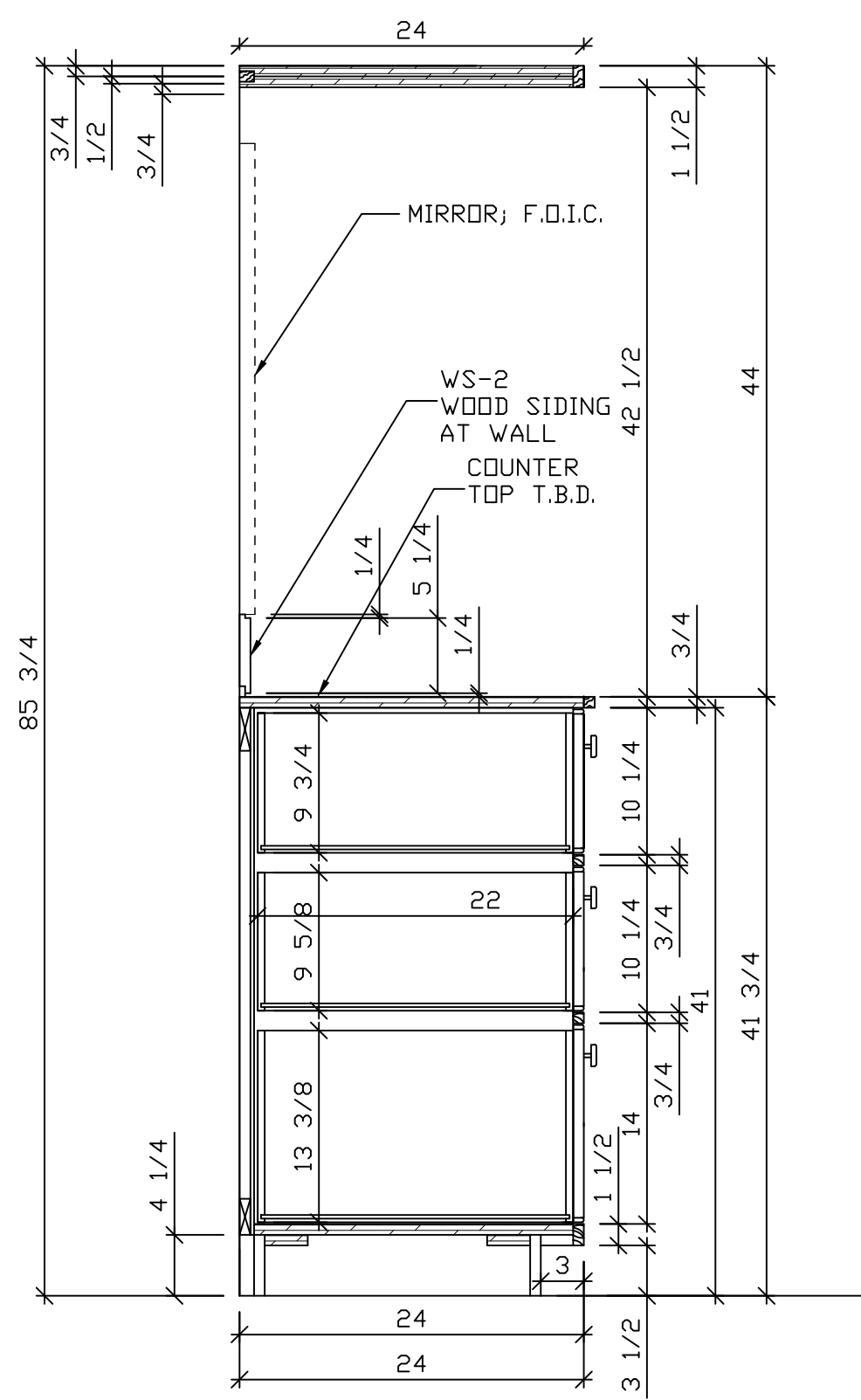
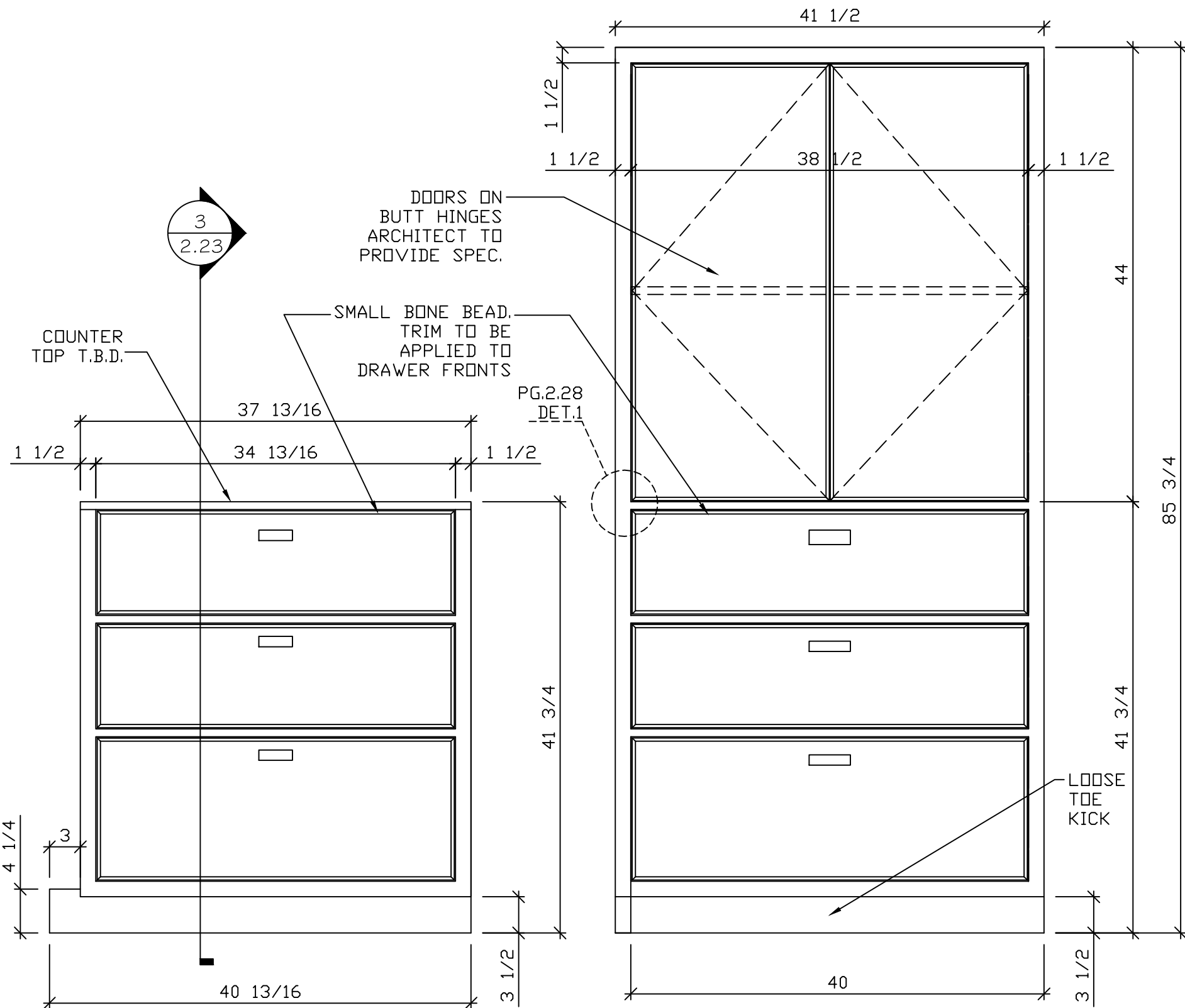


1 ELEVATION @ MARK'S CLOSET 210 EAST
 1/2" = 1'-0" EXTERIOR-PT-1: ARCHITECT TO PROVIDE
 INTERIOR-WD-1: PRE-FINISHED BIRCH
 REF.ELEV. 8/A4.7 ARCH

2 ELEVATION @ MARK'S CLOSET 210 SOUTH
 1/2" = 1'-0" EXTERIOR-PT-1: ARCHITECT TO PROVIDE
 INTERIOR-WD-1: PRE-FINISHED BIRCH
 REF.ELEV. 8/A4.7 ARCH





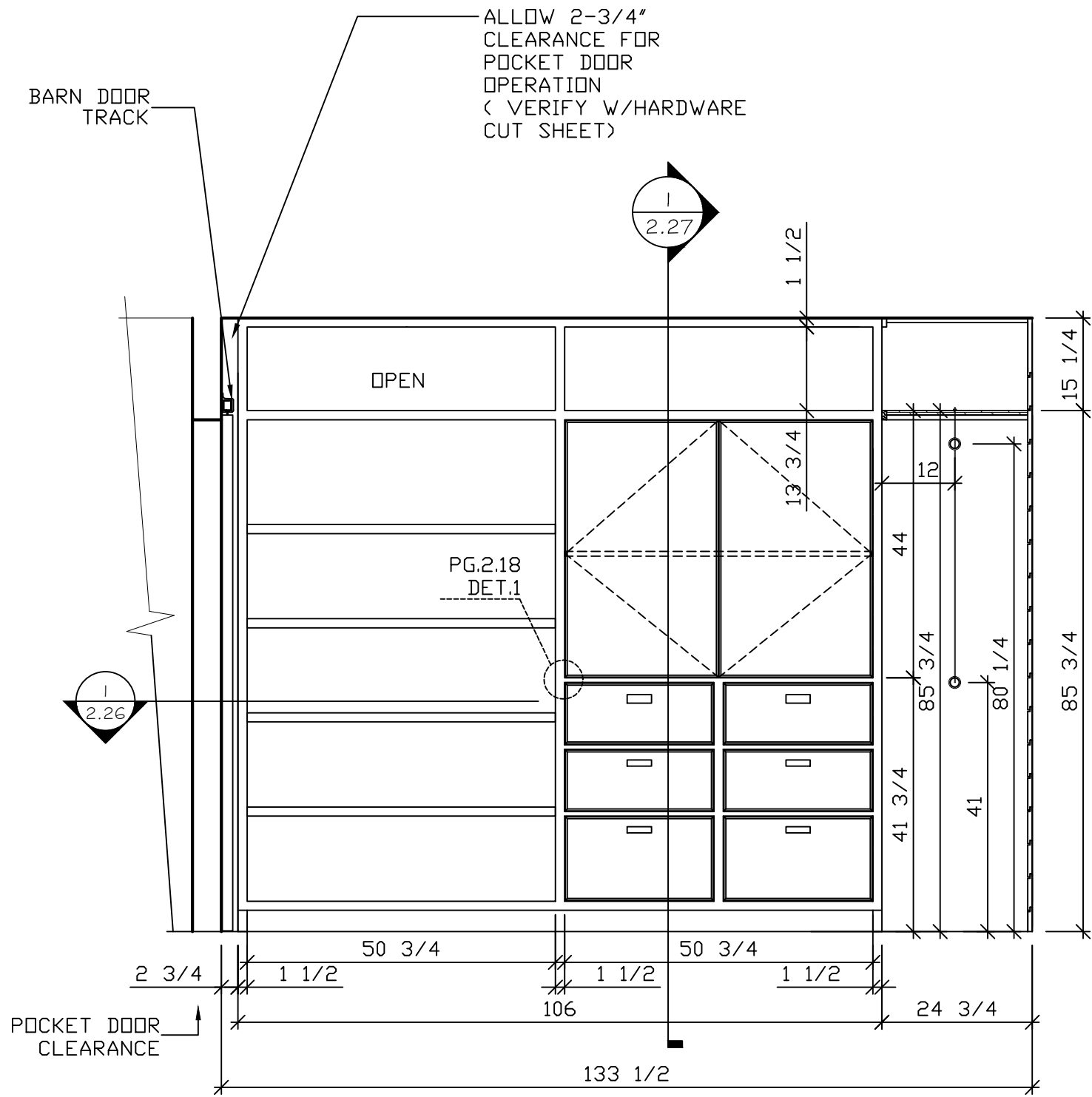


1 ELEVATION @ MARK'S CLOSET 210 NORTH
 1/2" = 1'-0" EXTERIOR-PT-1: ARCHITECT TO PROVIDE
 INTERIOR-WD-1: PRE-FINISHED BIRCH
 REF.ELEV. 8/A4.7 ARCH

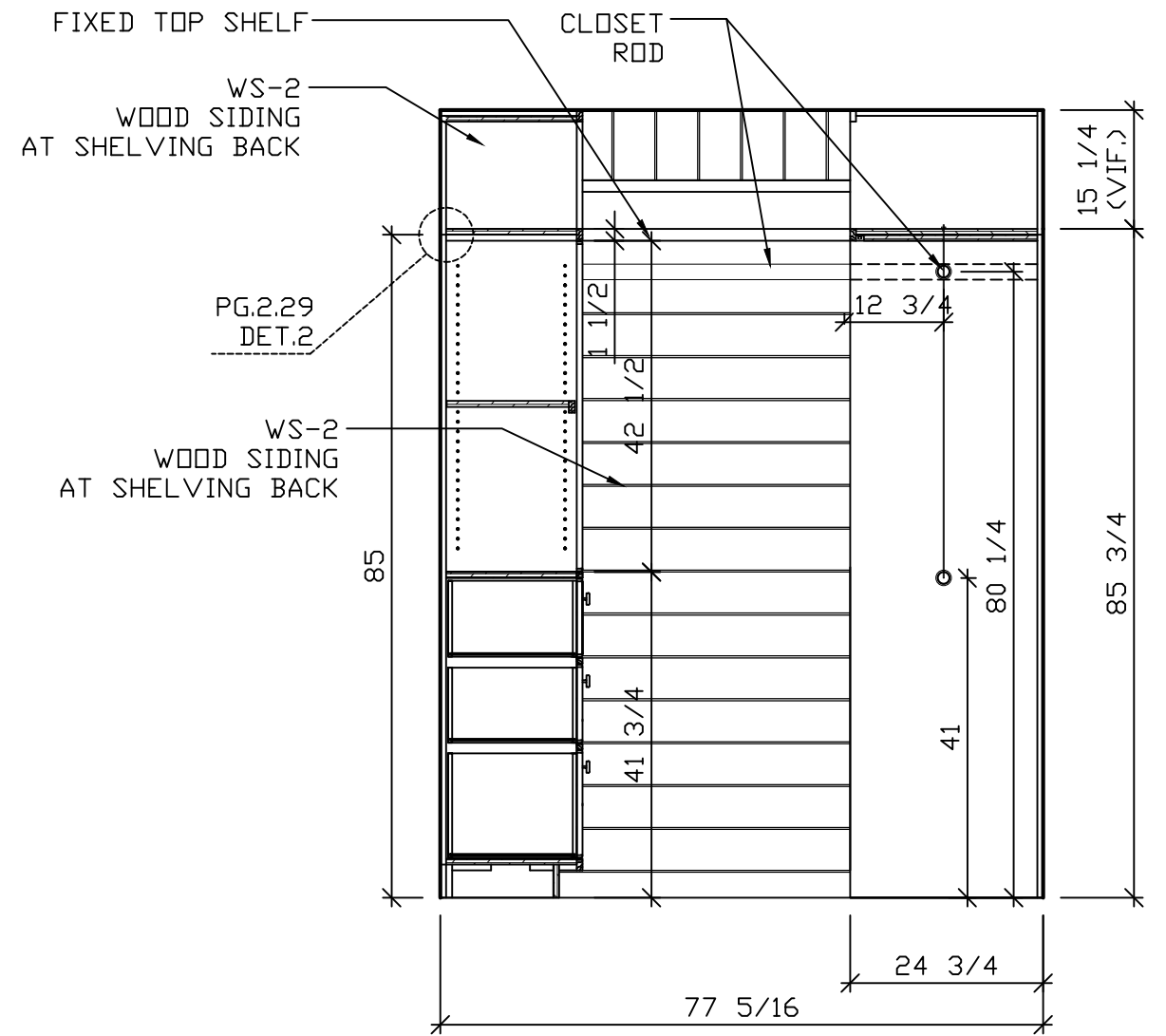
2 ELEVATION @ MARK'S CLOSET 210 WEST
 1/2" = 1'-0" EXTERIOR-PT-1: ARCHITECT TO PROVIDE
 INTERIOR-WD-1: PRE-FINISHED BIRCH
 REF.ELEV. 8/A4.7 ARCH

3 SECTION @ MARK'S CLOSET 210 NORTH
 1/2" = 1'-0" EXTERIOR-PT-1: ARCHITECT TO PROVIDE
 INTERIOR-WD-1: PRE-FINISHED BIRCH
 REF.ELEV. 8/A4.7 ARCH



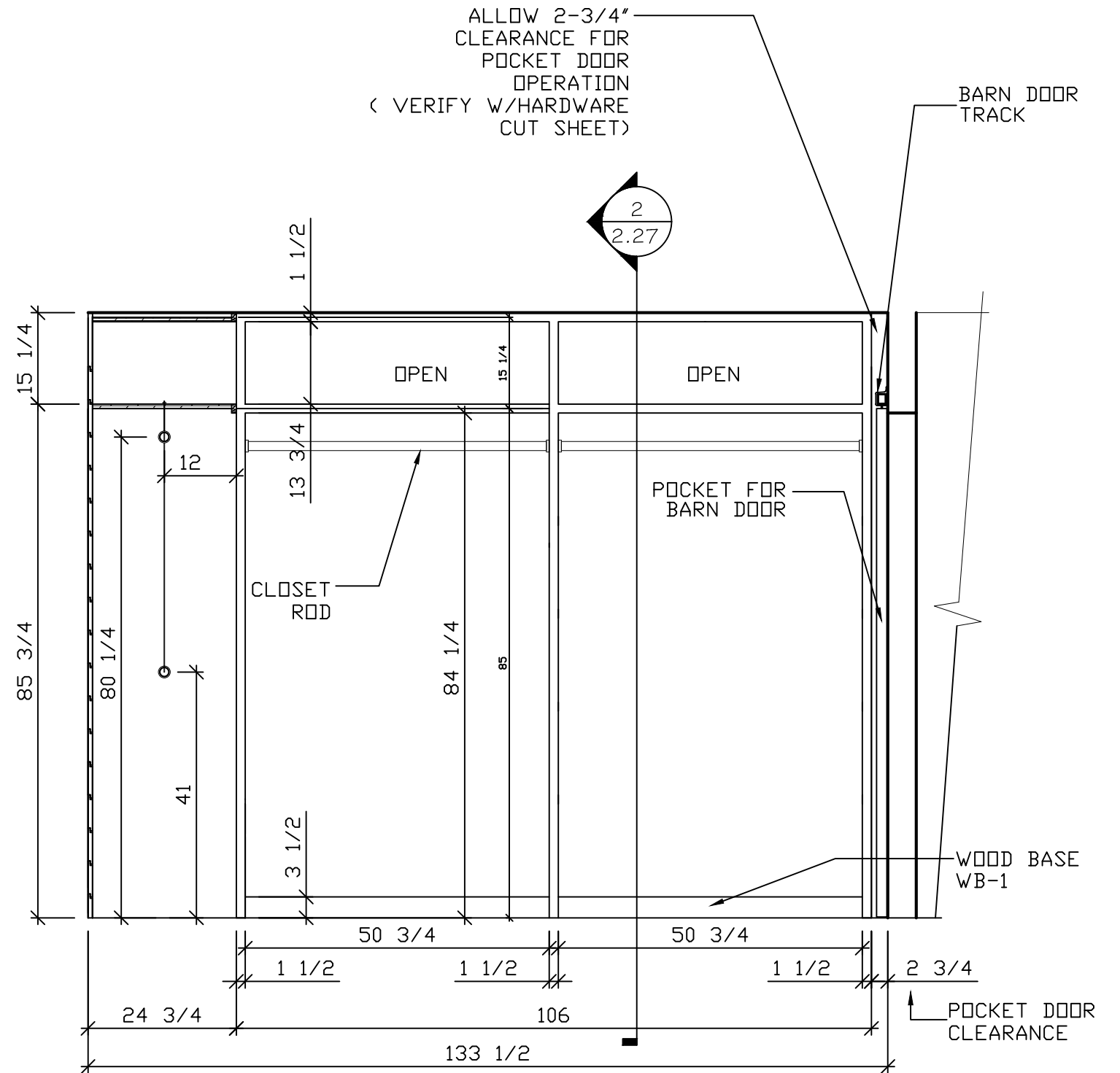
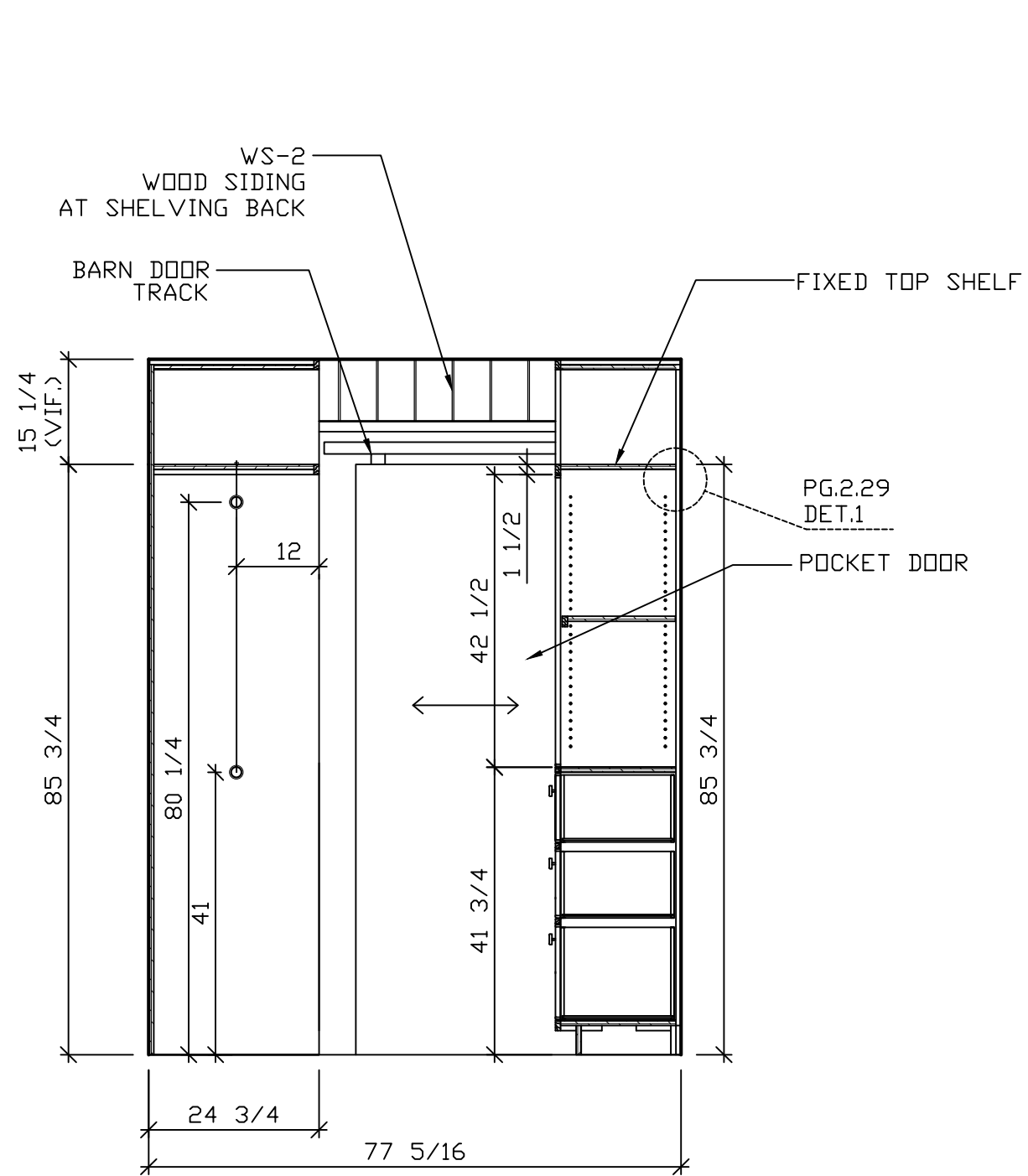


1 ELEVATION @ MELISSA'S CLOSET 209 WEST
 1/2" = 1'-0" EXTERIOR-PT-1: ARCHITECT TO PROVIDE
 INTERIOR-WD-1: PRE-FINISHED BIRCH
 REF.ELEV. 8/A4.7 ARCH



2 ELEVATION @ MELISSA'S CLOSET 209 NORTH
 1/2" = 1'-0" EXTERIOR-PT-1: ARCHITECT TO PROVIDE
 INTERIOR-WD-1: PRE-FINISHED BIRCH
 REF.ELEV. 8/A4.7 ARCH

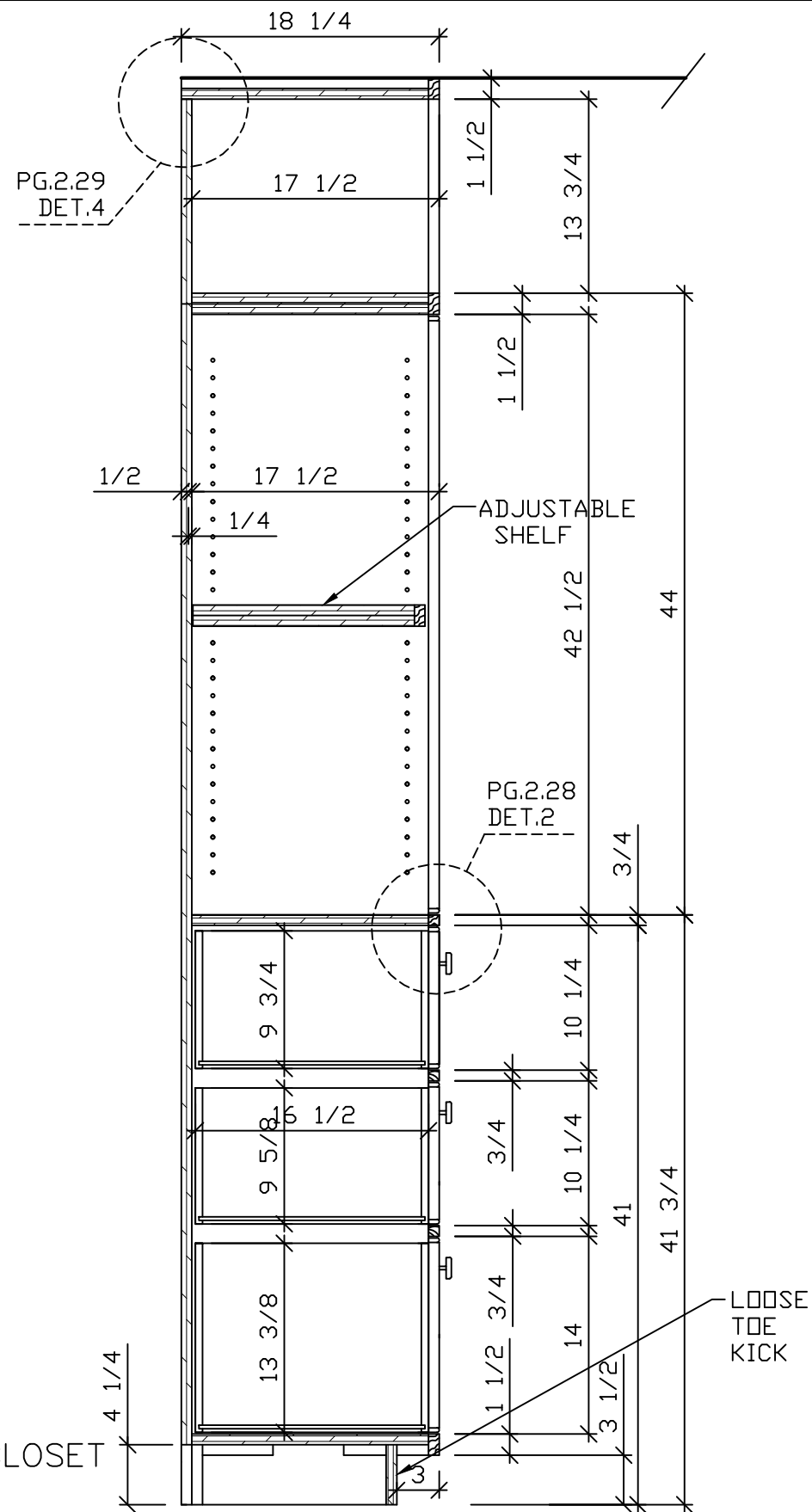




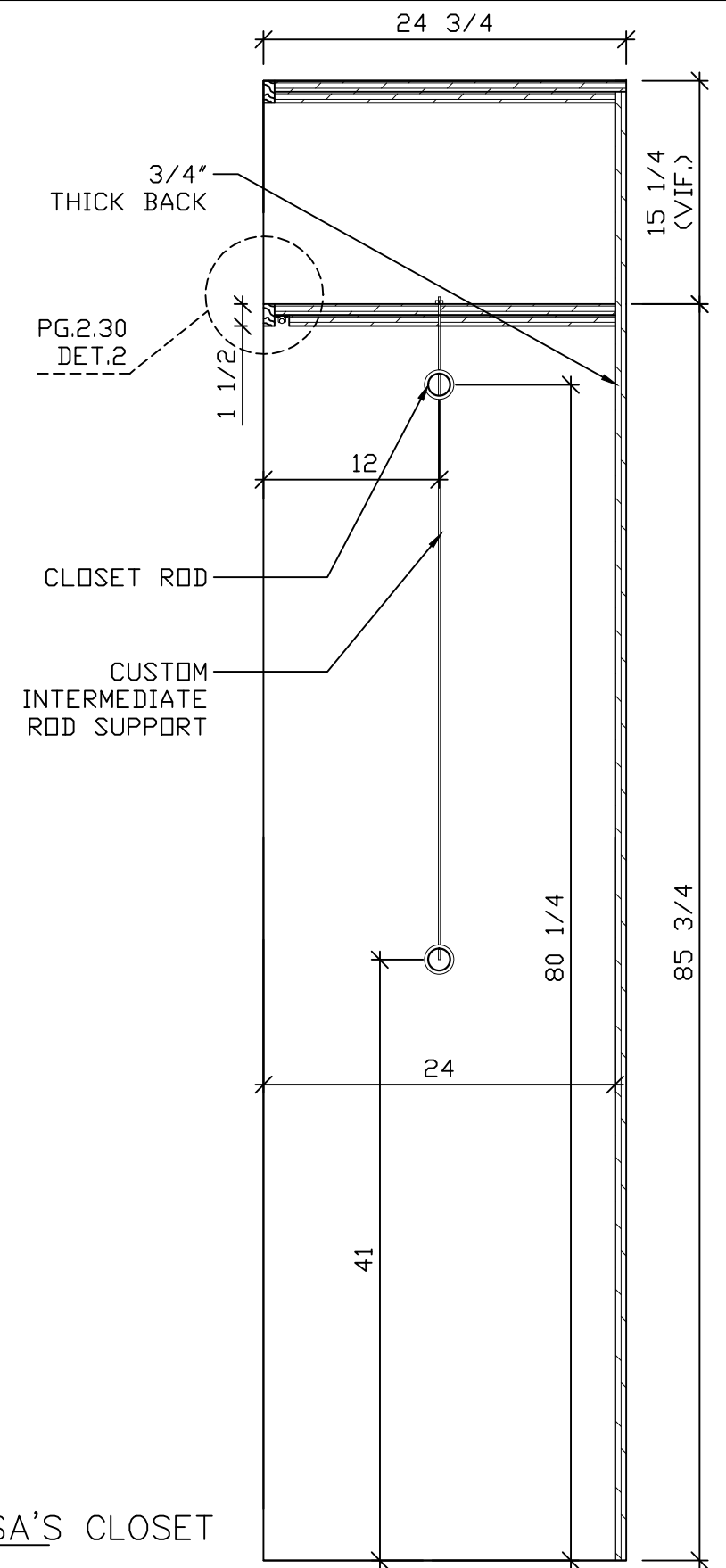
1 ELEVATION @ MELISSA'S CLOSET 209 WEST
 1/2" = 1'-0" EXTERIOR-PT-1: ARCHITECT TO PROVIDE
 INTERIOR-WD-1: PRE-FINISHED BIRCH
 REF.ELEV. 8/A4.7 ARCH

2 ELEVATION @ MELISSA'S CLOSET 209 EAST
 1/2" = 1'-0" EXTERIOR-PT-1: ARCHITECT TO PROVIDE
 INTERIOR-WD-1: PRE-FINISHED BIRCH
 REF.ELEV. 8/A4.7 ARCH



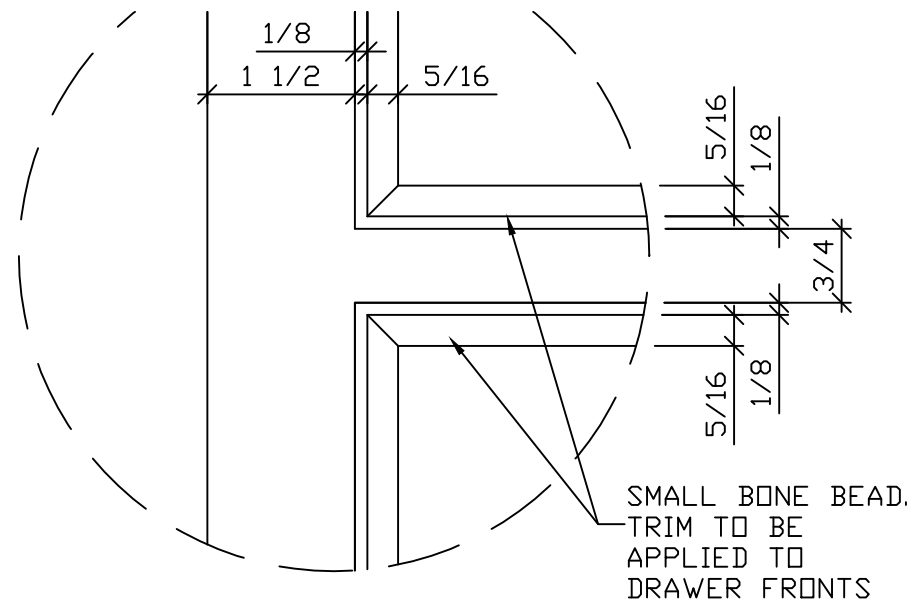


1 SECTION @ MELISSA'S CLOSET
1" = 1'-0"

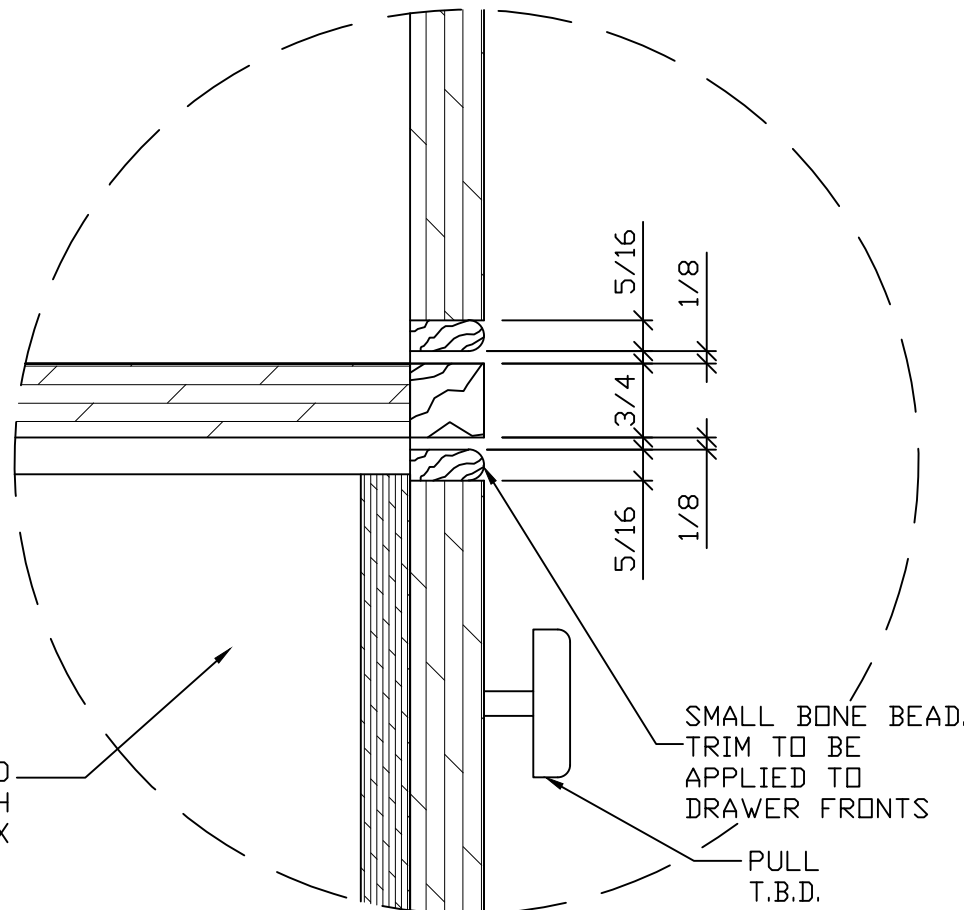


2 SECTION @ MELISSA'S CLOSET
1" = 1'-0"

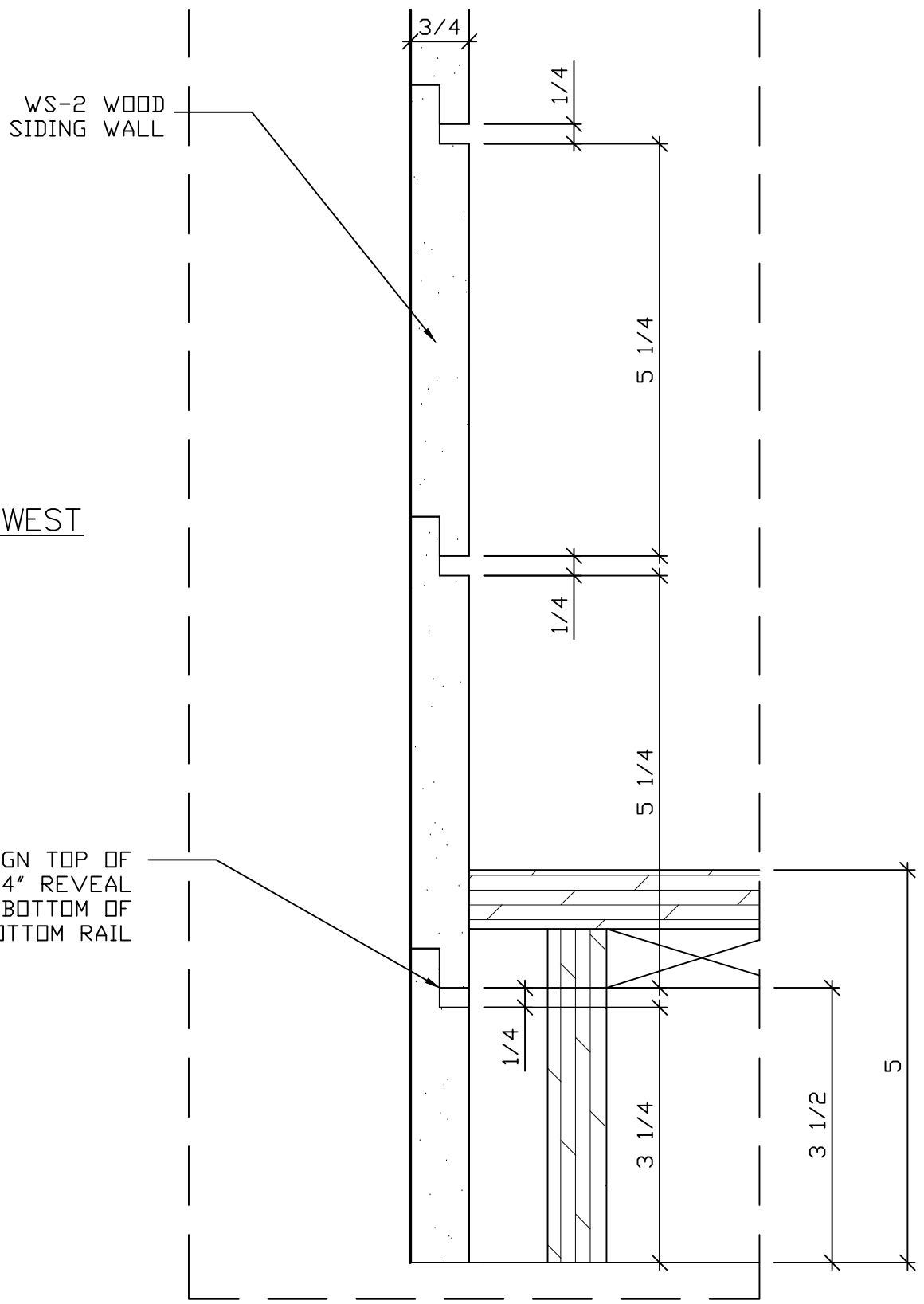




1 DETAIL @ DRAWER FRONT MARK'S CLOSET 210 WEST
 HALF SCALE
 N/A

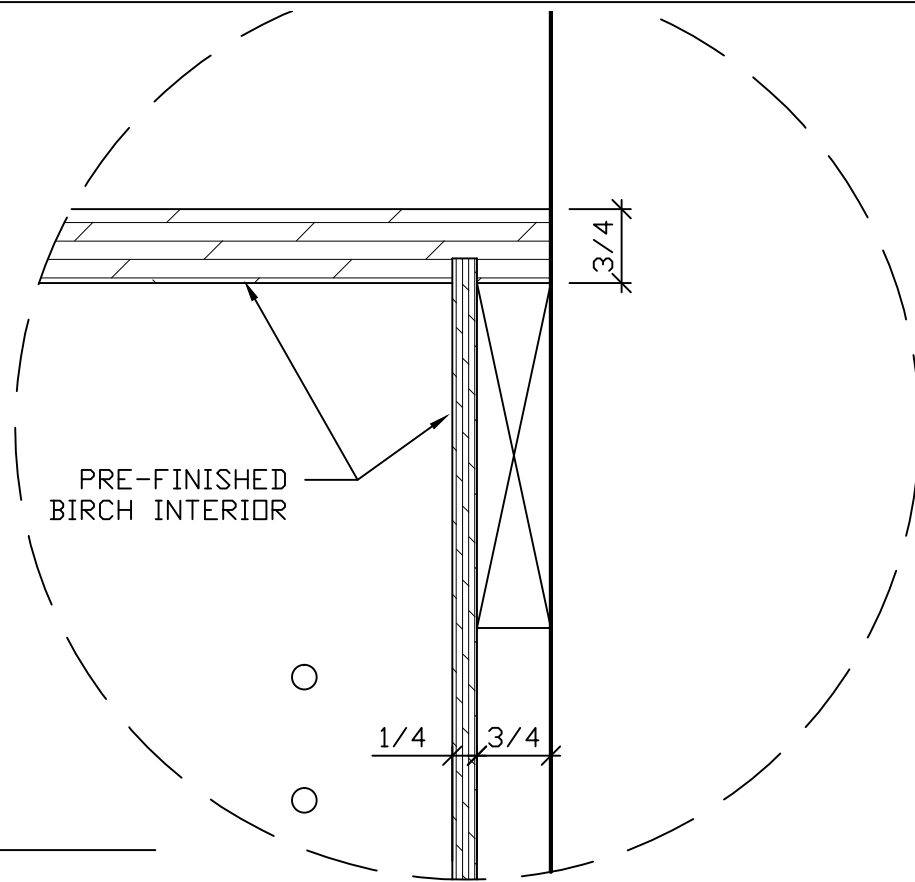


2 DETAIL @ DRAWER FRONT MELISSA'S CLOSET
 HALF SCALE
 N/A

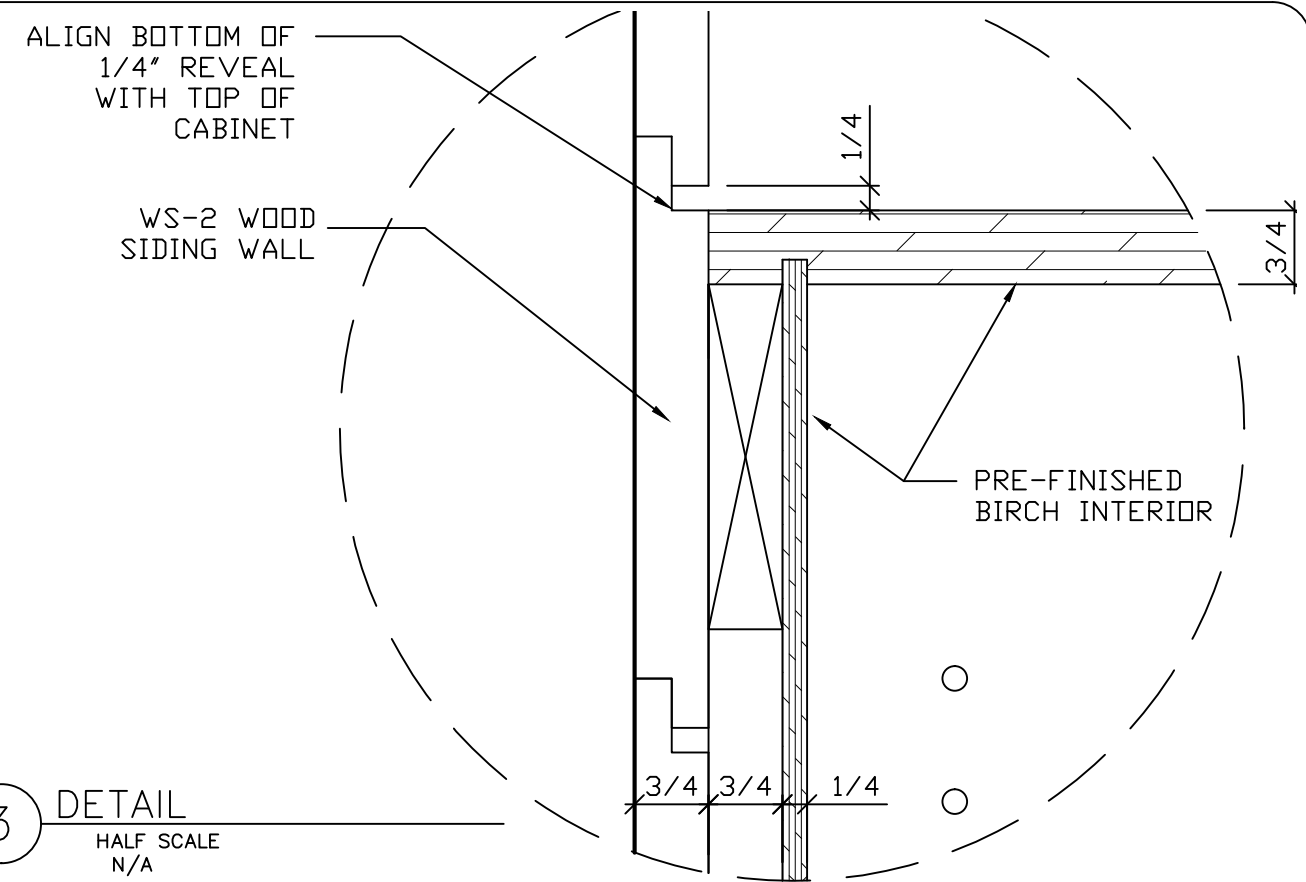


1 DETAIL @ TYP. WS-2 WOOD SIDING WALL
 HALF SCALE
 N/A

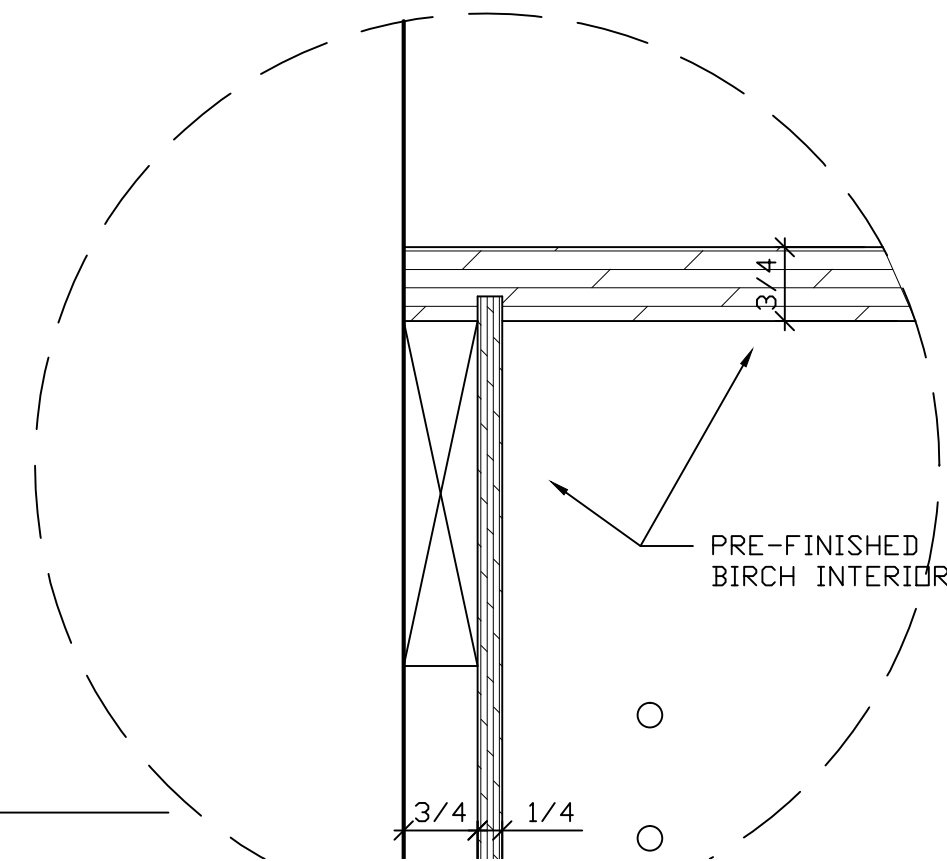




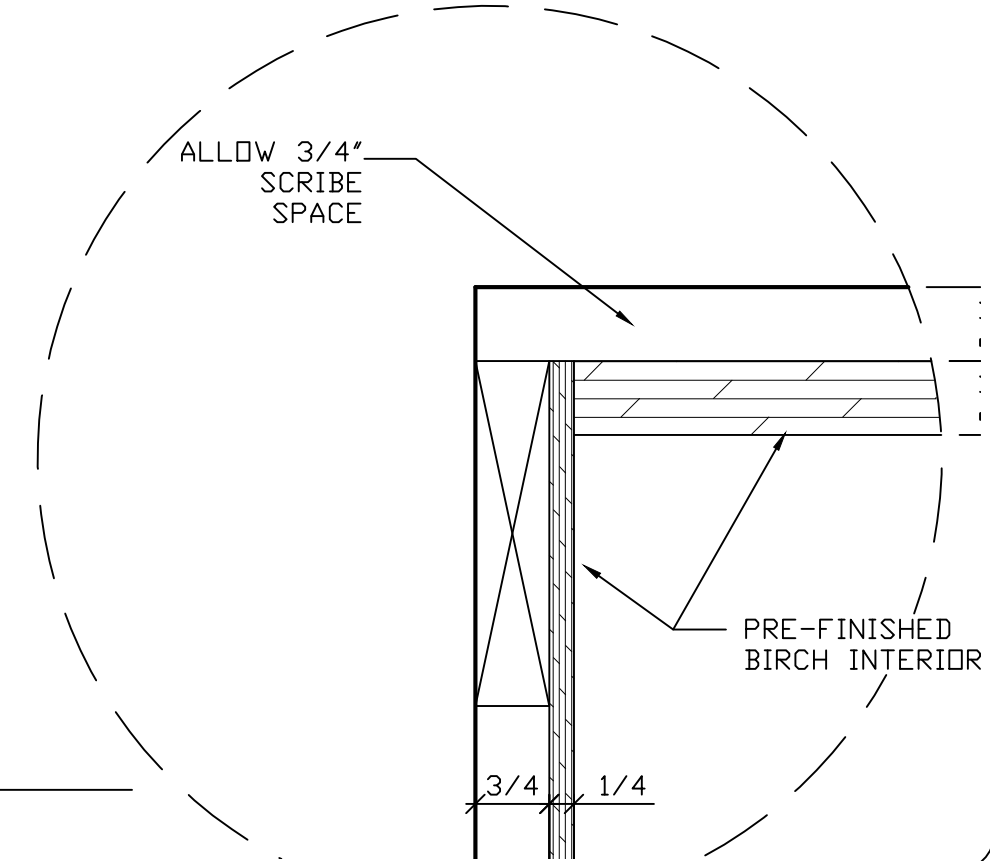
1 DETAIL
HALF SCALE
N/A



3 DETAIL
HALF SCALE
N/A

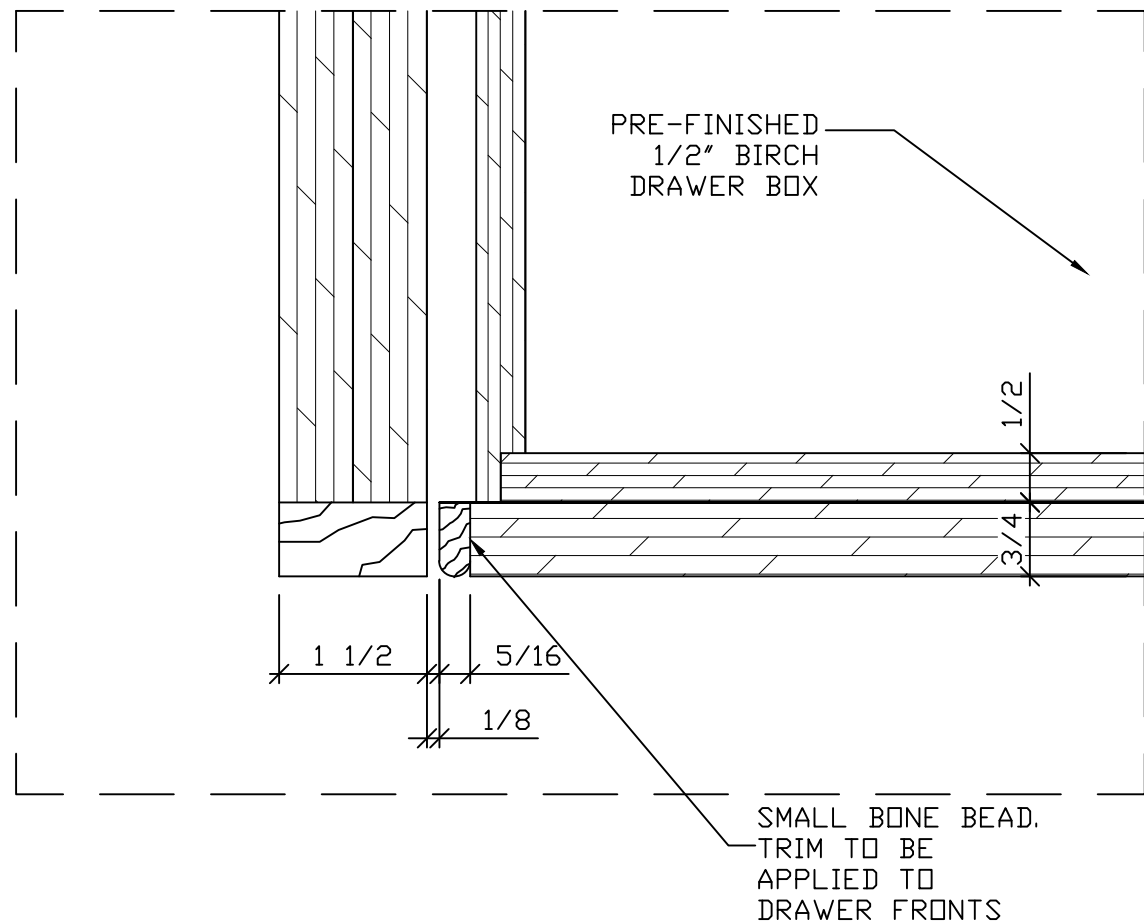


2 DETAIL
HALF SCALE
N/A

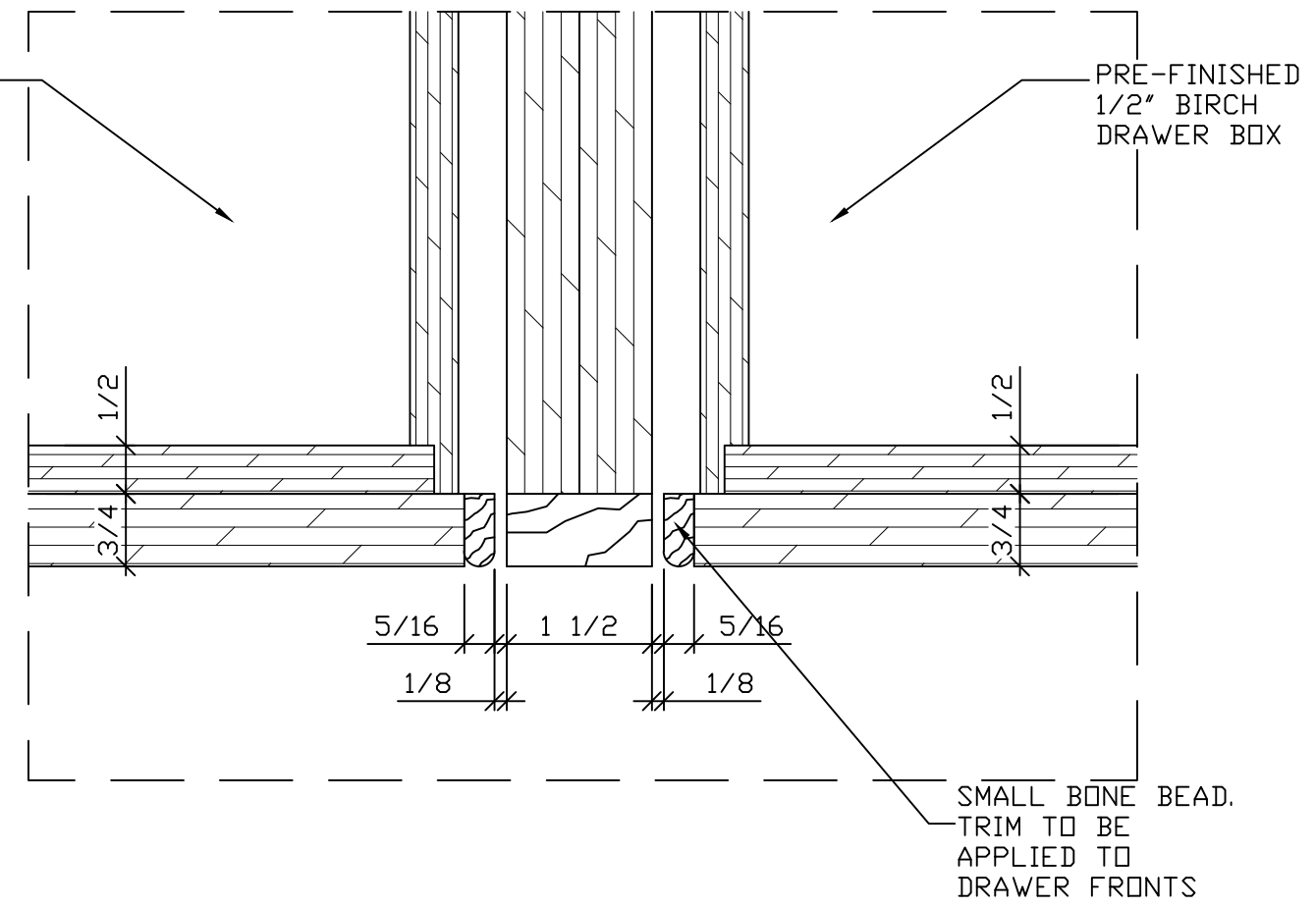


4 DETAIL
HALF SCALE
N/A

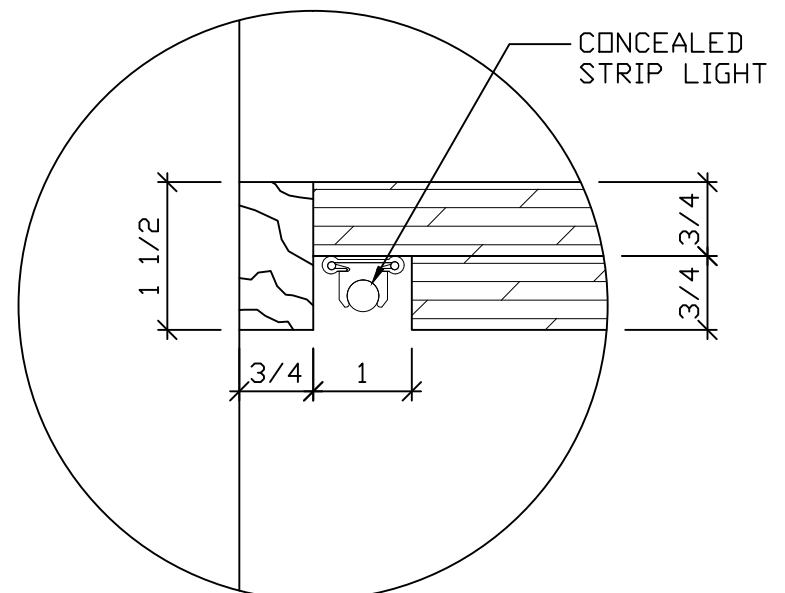




1 DETAIL @ DRAWER FRONT MELISSA'S CLOSET
 HALF SCALE
 N/A



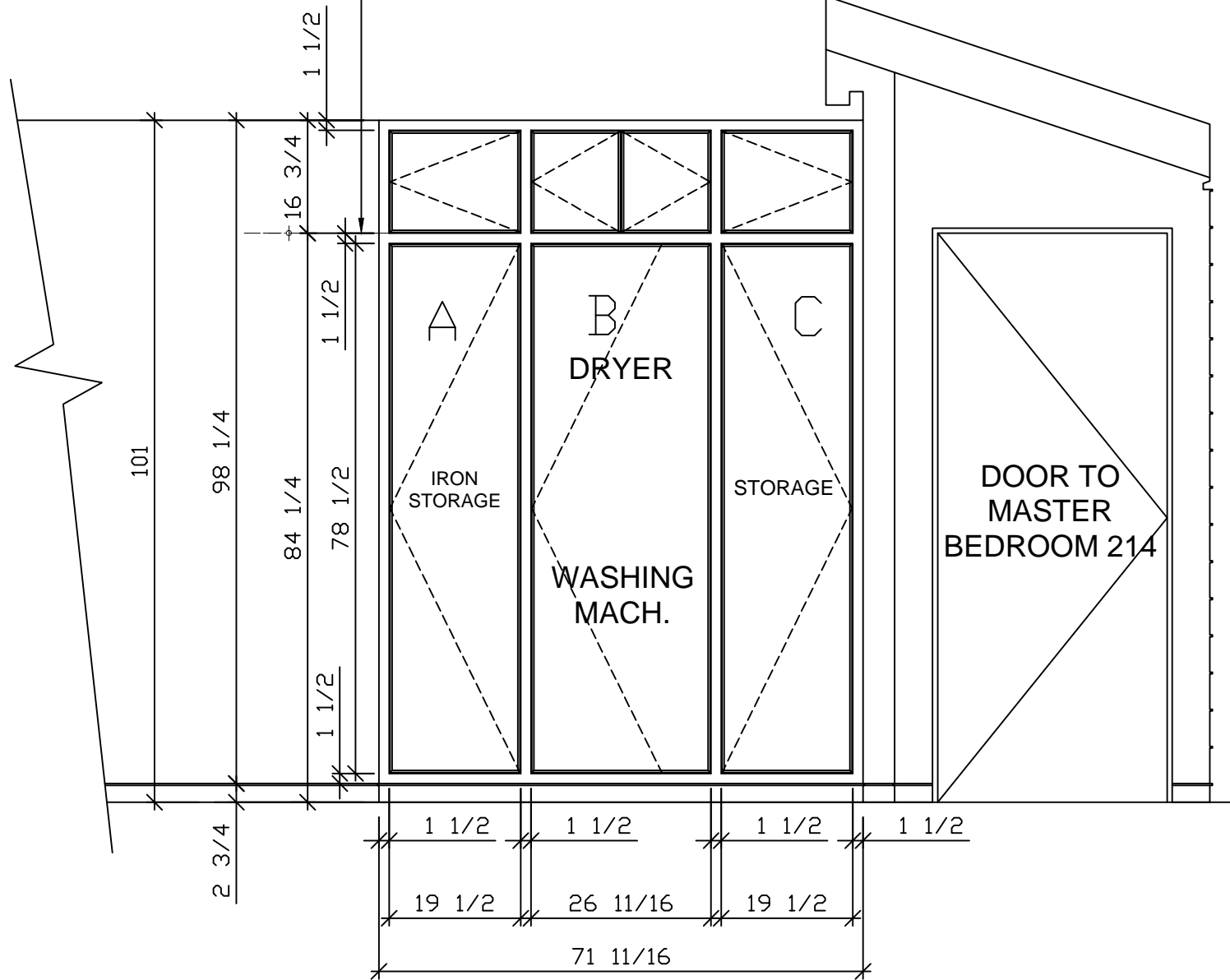
3 DETAIL @ DRAWER FRONT MELISSA'S CLOSET
 HALF SCALE
 N/A



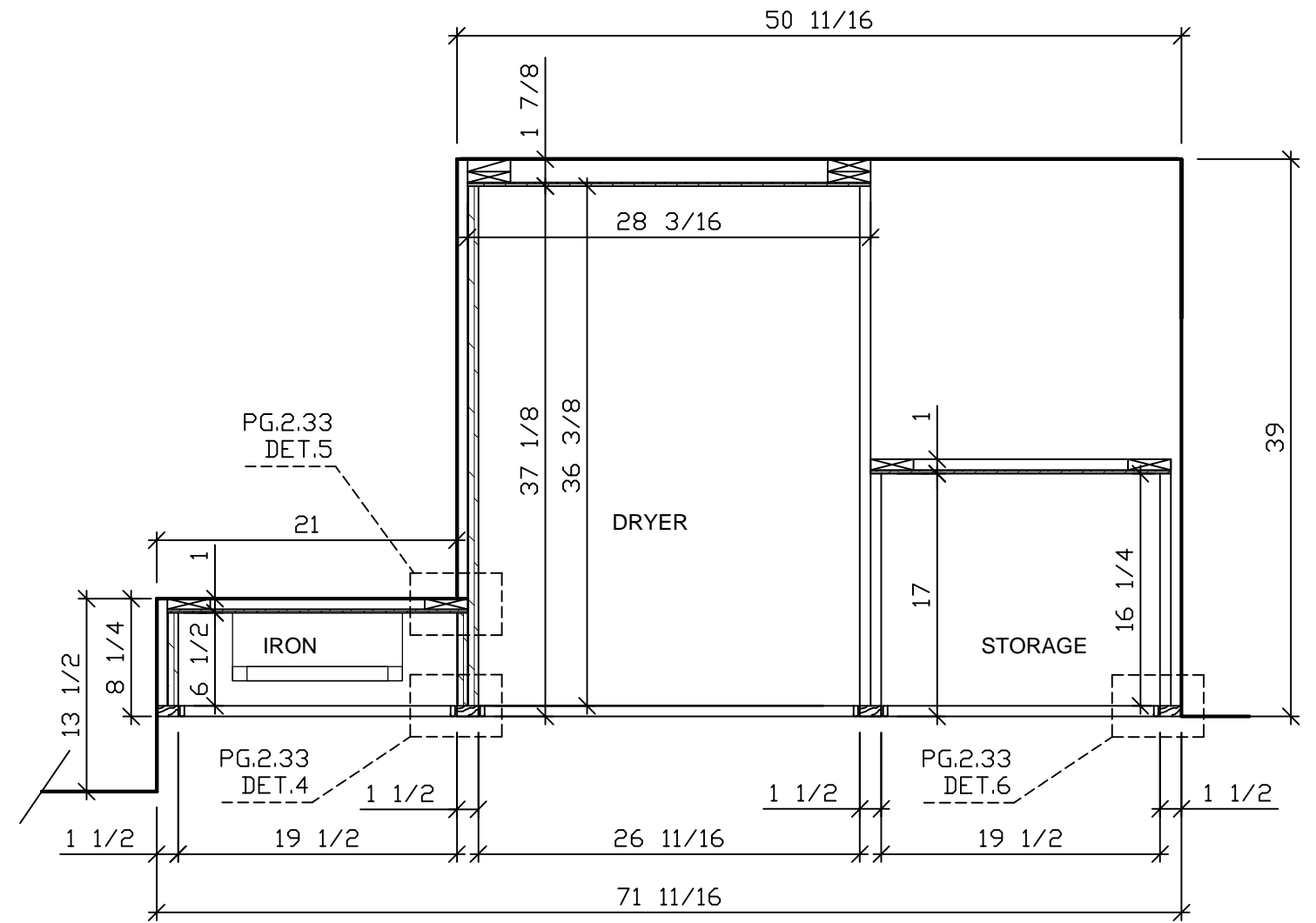
2 DETAIL @ TOP HEADER MELISSA'S CLOSET
 HALF SCALE
 N/A



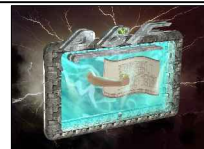
ALIGN TOP OF
RAIL W/ BOTTOM
OF DOOR FRAME

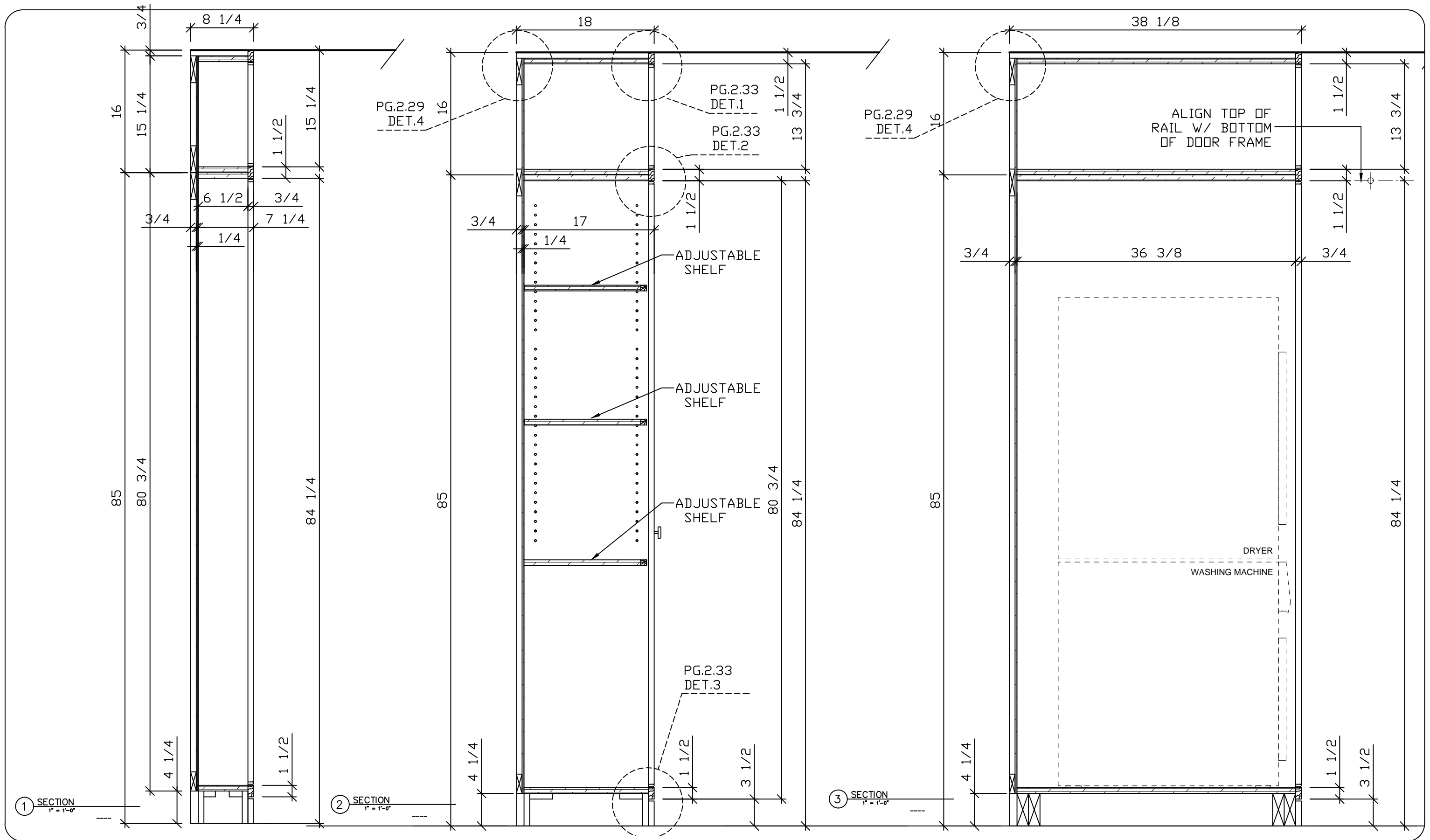


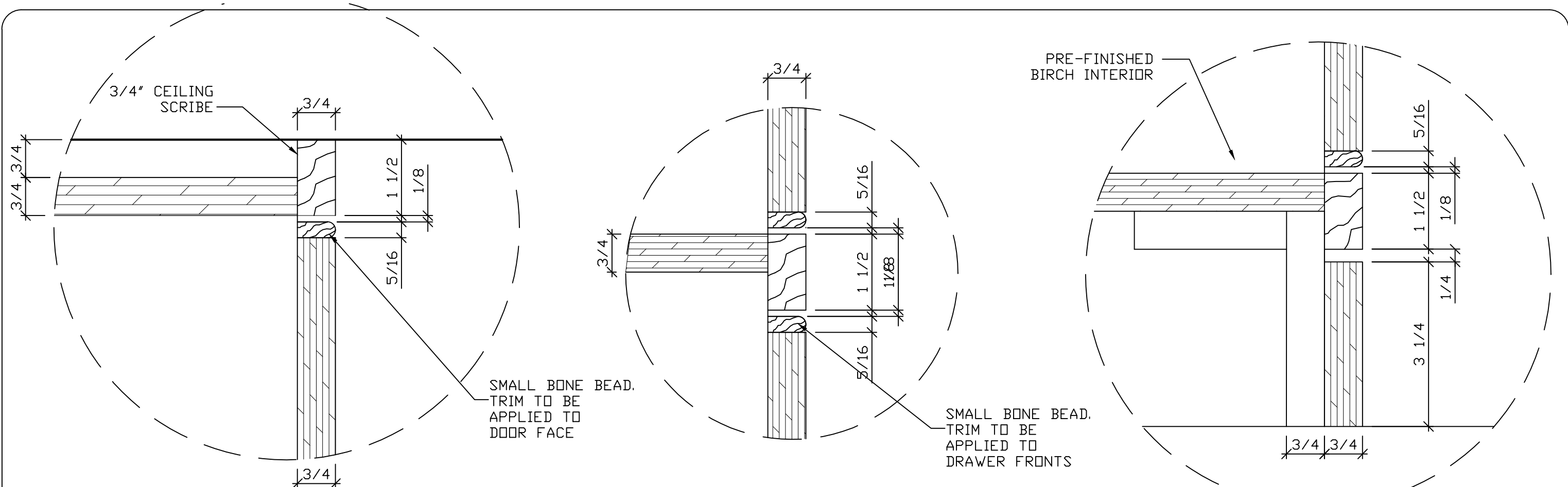
① MASTER BATH HALL 210 SOUTH
1/2" = 1'-0" EXTERIOR-PT-1: ARCHITECT TO PROVIDE
INTERIOR-WD-1: PRE-FINISHED BIRCH
REF.ELEV. 8/A4.7 ARCH



② PLAN SECTION @ MASTER BATH HALL 210 SOUTH
1" = 1'-0"



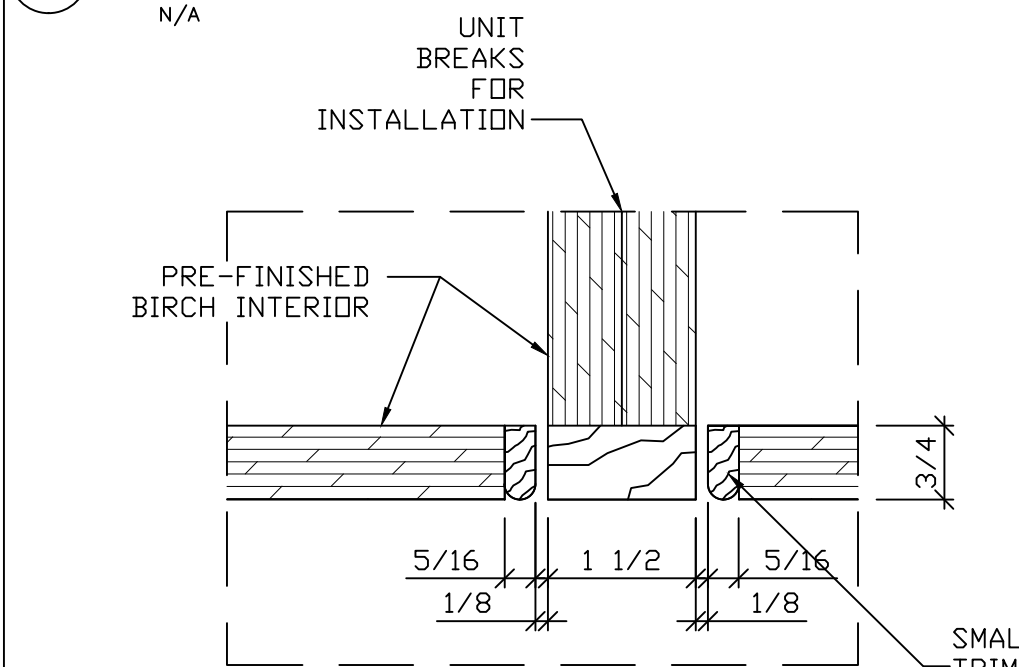




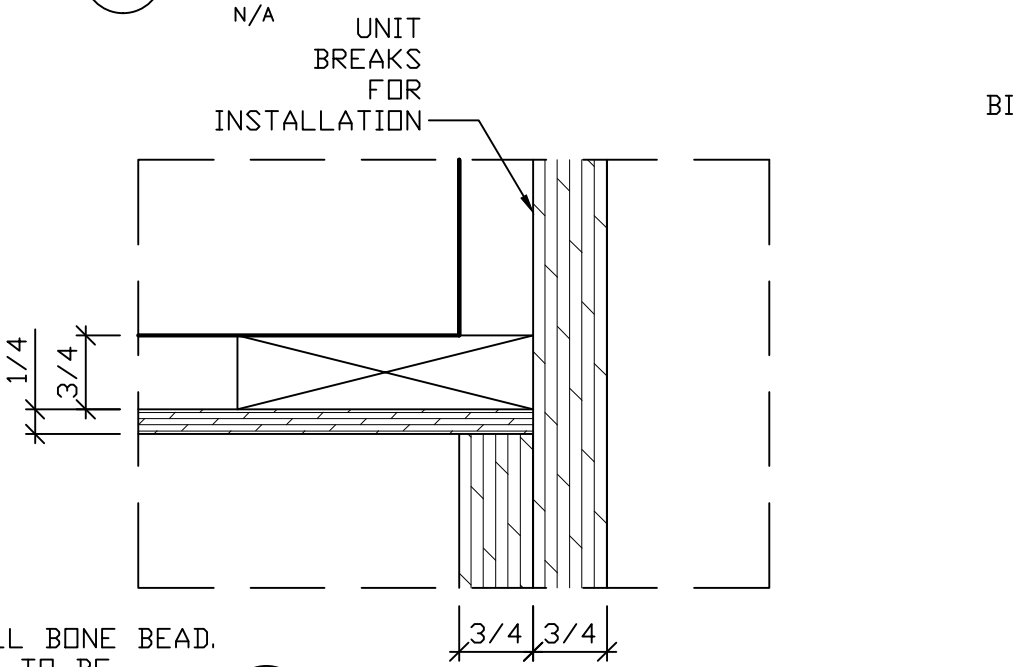
1 DETAIL @ TOP HEADER MASTER BATH HALL
 HALF SCALE
 N/A

2 DETAIL @ MID RAIL MASTER BATH HALL
 HALF SCALE
 N/A

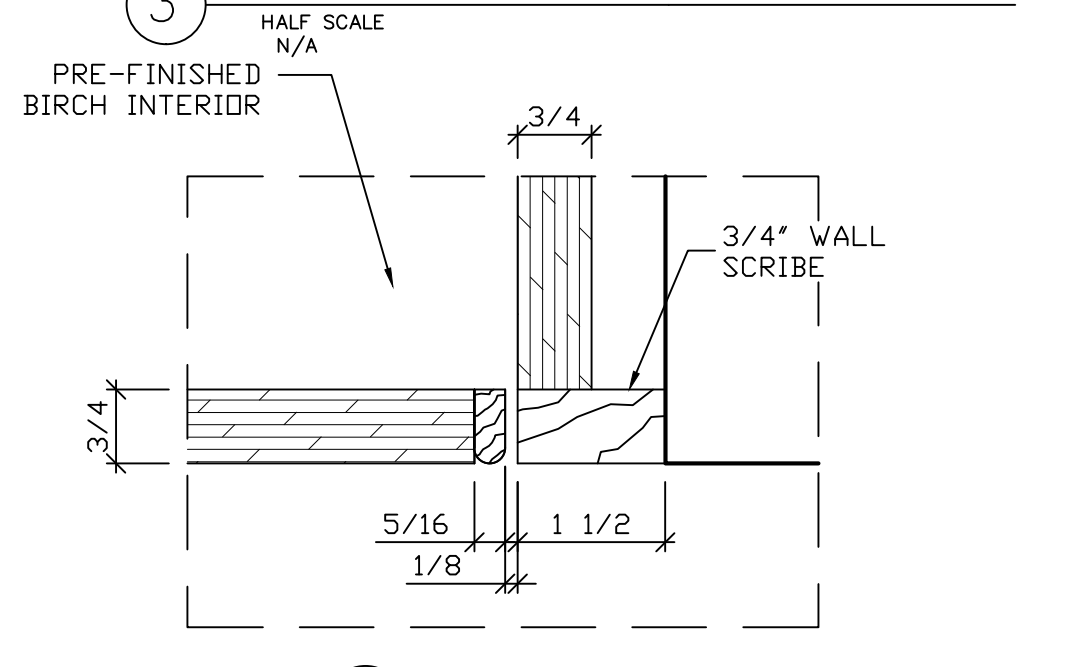
3 DETAIL @ BASE MASTER BATH HALL
 HALF SCALE
 N/A



4 DETAIL @ BREAK POINT MASTER B HALL
 HALF SCALE
 N/A



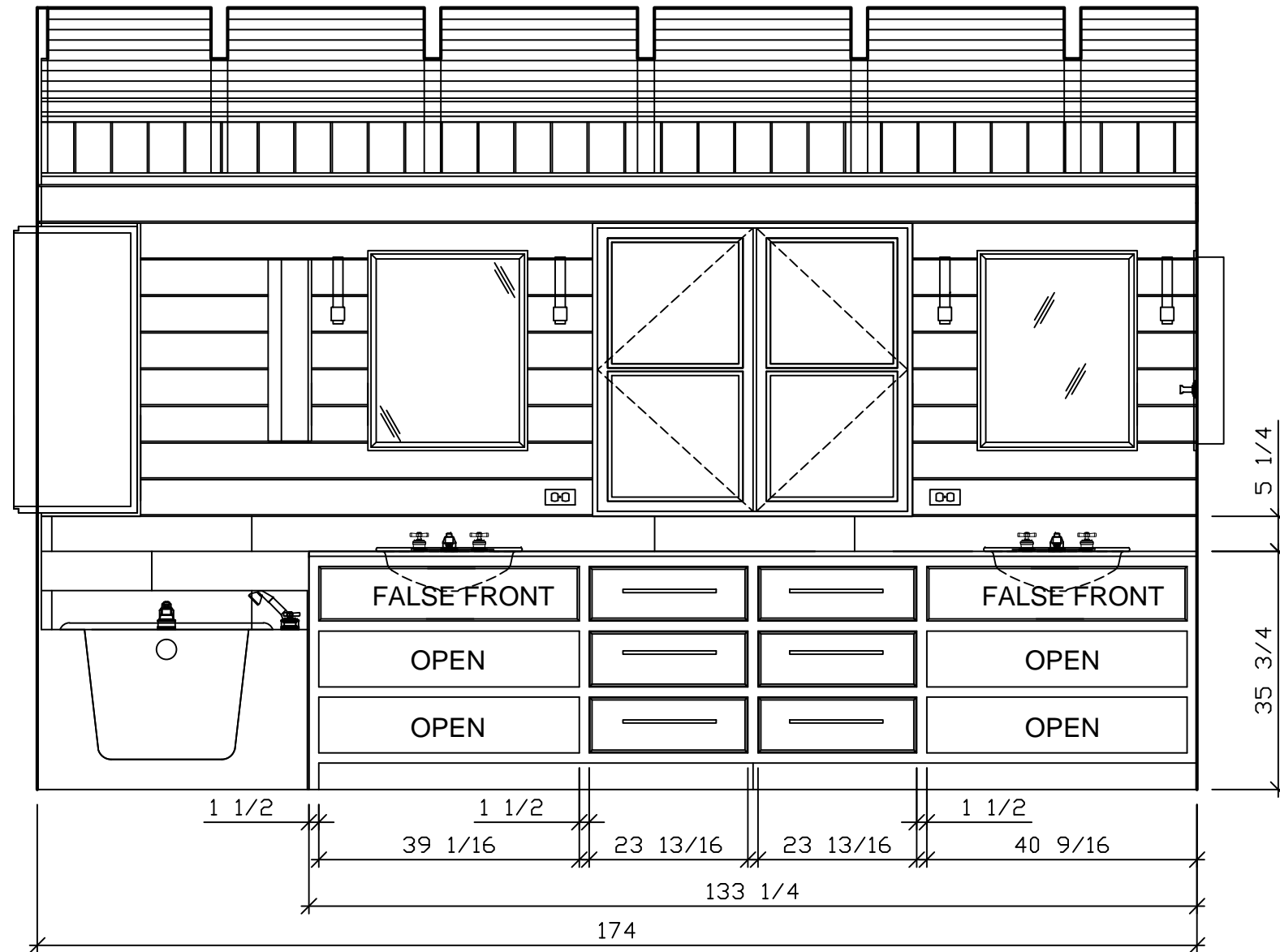
5 DETAIL @ BREAK POINT MASTER BATH HALL
 HALF SCALE
 N/A



6 DETAIL @ WALL MASTER HALL
 HALF SCALE
 N/A

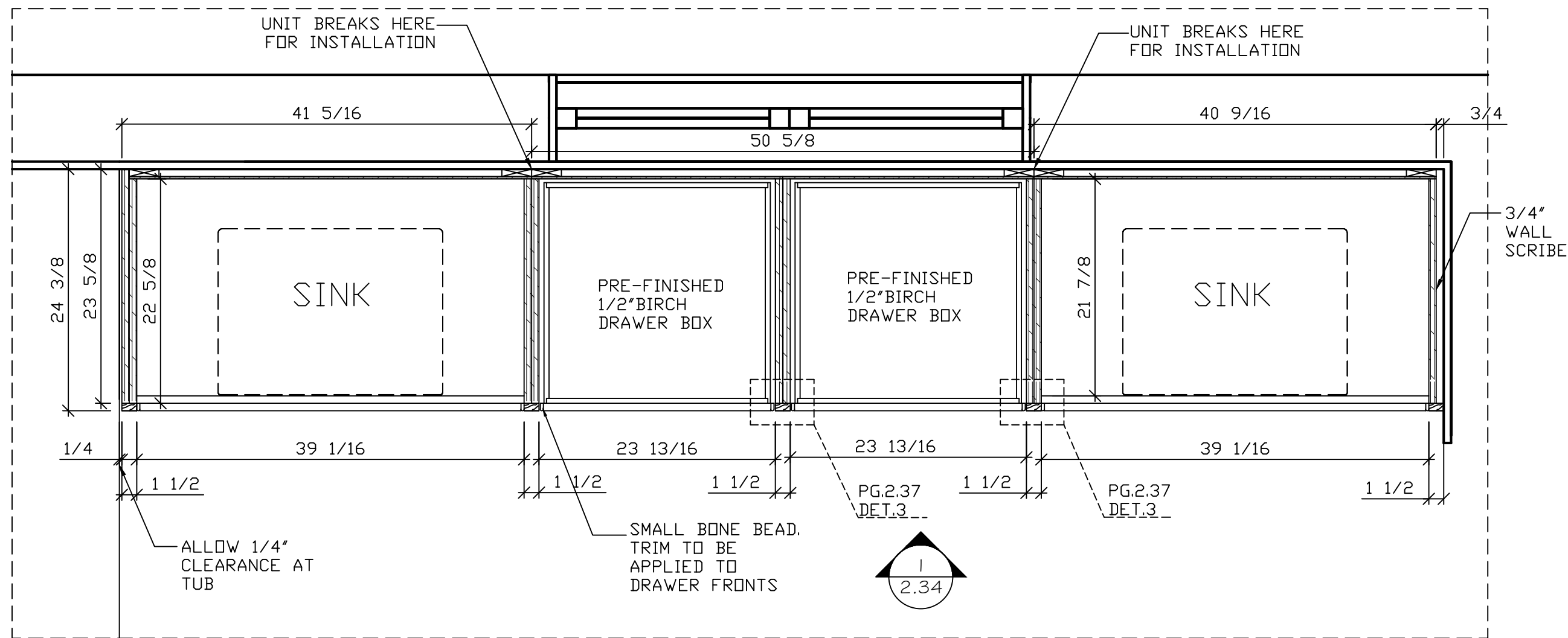


REVISIONS:	
▲	
▲	
▲	
▲	



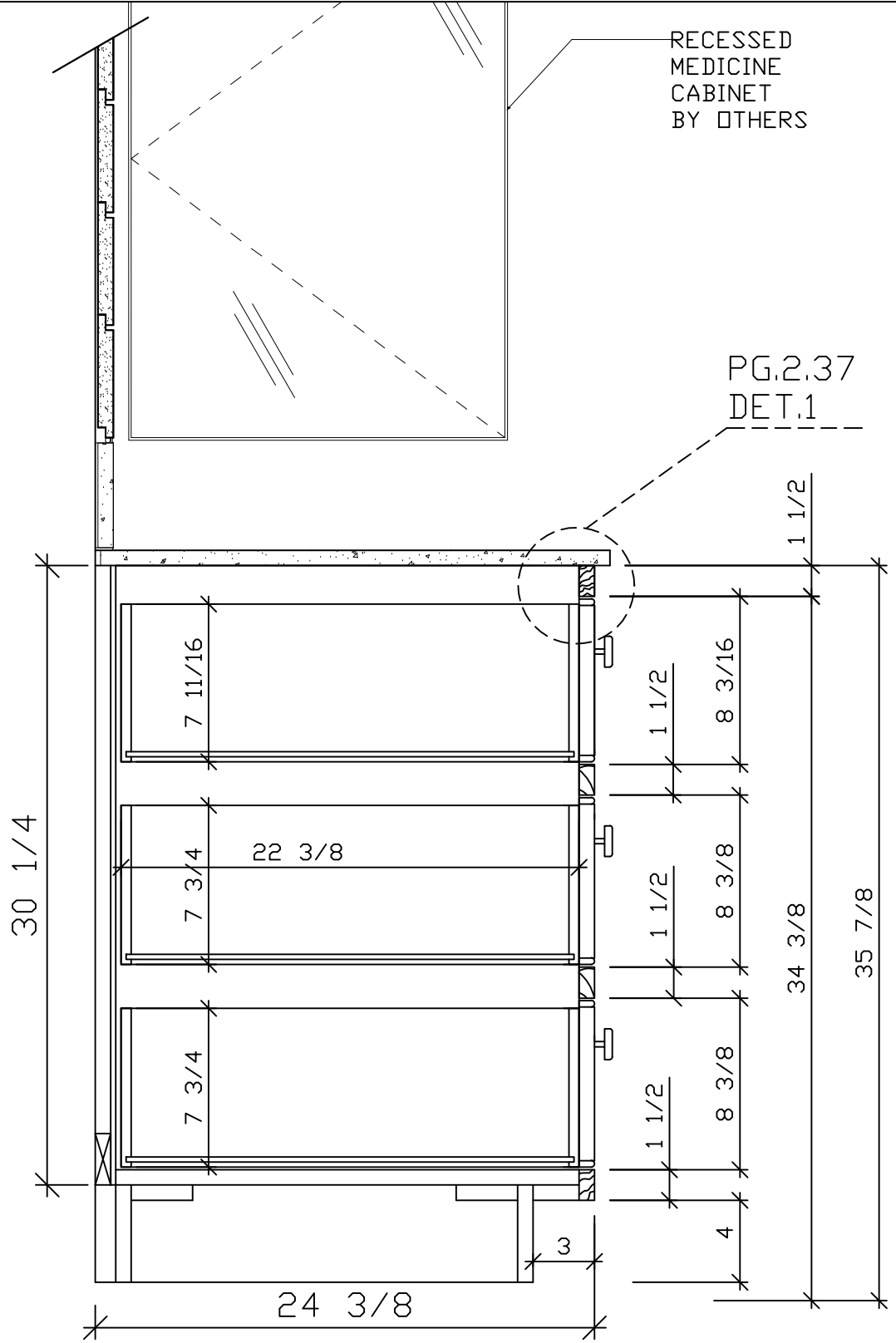
1 MASTER BATH 211 EAST
 1/2" = 1'-0" EXTERIOR-PT-1: ARCHITECT TO PROVIDE
 INTERIOR-WD-1: PRE-FINISHED BIRCH
 REF.ELEV. 4/A4.8 ARCH



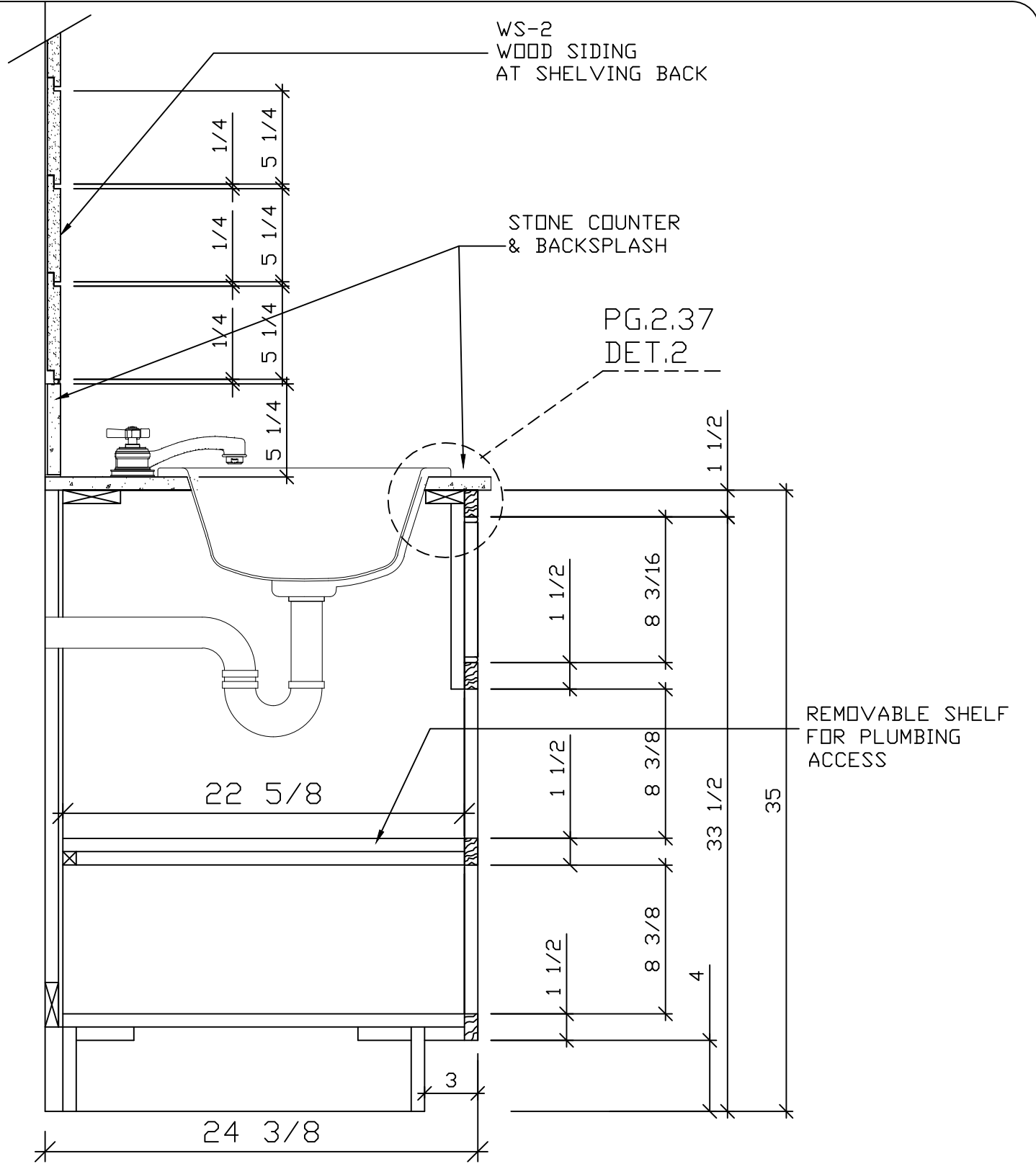


1 PLAN SECTION @ MASTER BATH 211 EAST
1" = 1'-0"



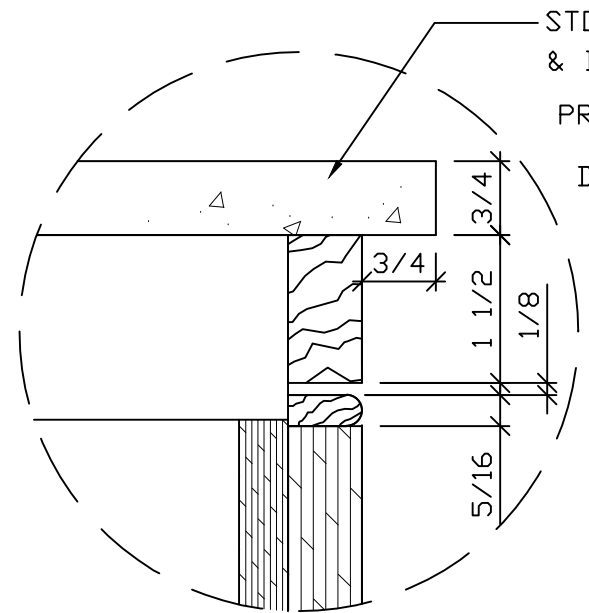


1 SECTION @ CABINET MASTER BATH
1" = 1'-0"

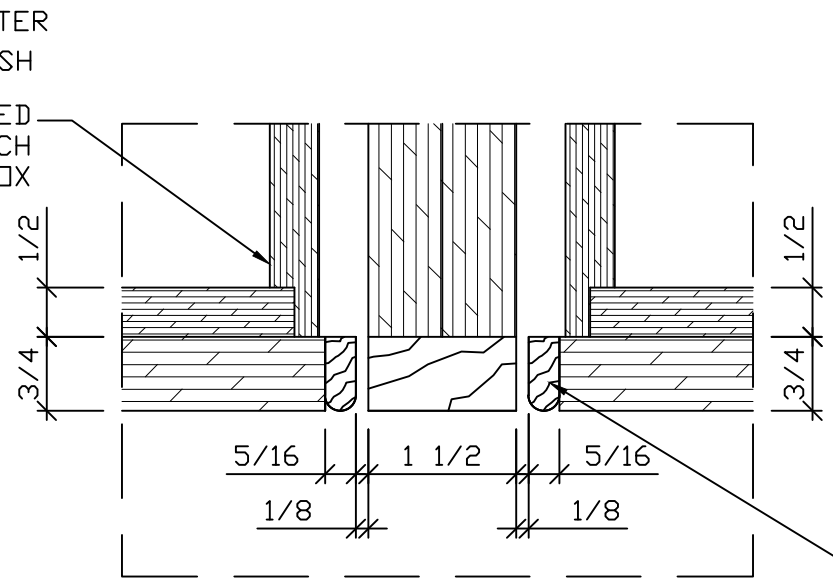


2 SECTION @ SINK CABINET MASTER BATH
1" = 1'-0"



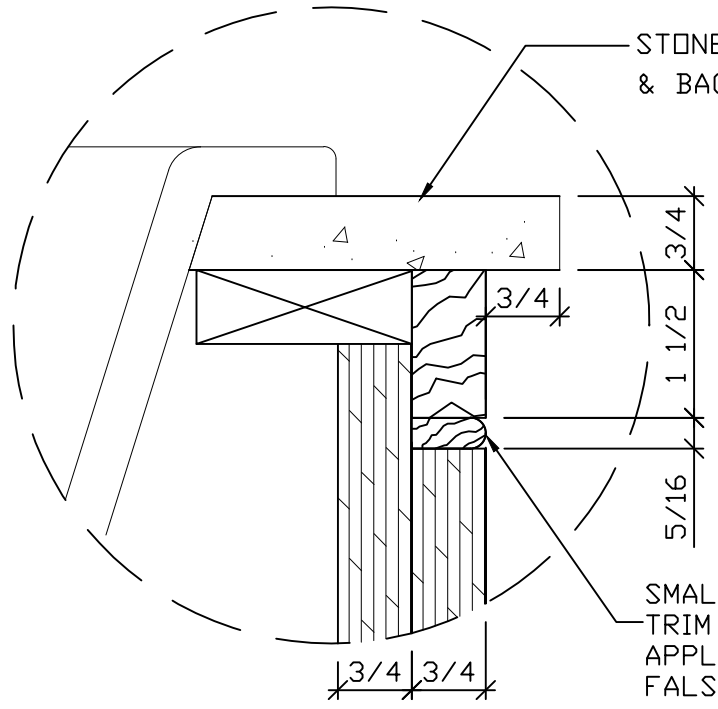


1 DETAIL @ VANITY MASTER BATH
 HALF SCALE
 N/A

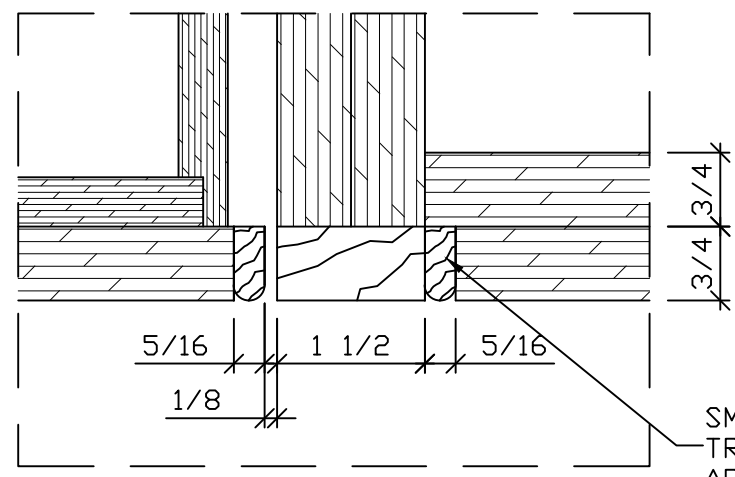


3 DETAIL @ VANITY MASTER BATH
 HALF SCALE
 N/A

SMALL BONE BEAD.
 TRIM TO BE
 APPLIED TO
 DRAWER FRONTS



2 DETAIL @ VANITY SINK MASTER BATH
 HALF SCALE
 N/A



4 DETAIL @ VANITY MASTER BATH
 HALF SCALE
 N/A

SMALL BONE BEAD.
 TRIM TO BE
 APPLIED TO
 FALSE FRONTS



REVISIONS:	
▲	
▲	
▲	
▲	