

# Goldking Onshore Operating, LLC

777 Walker Street Suite 2500  
Houston, Texas 77002

---

---

## CLIENT

Goldking Energy

## FURNISHINGS



2706 Rustic Wood Dr.  
Kingwood, TX 77345  
[www.AcaciaOriginals.com](http://www.AcaciaOriginals.com)

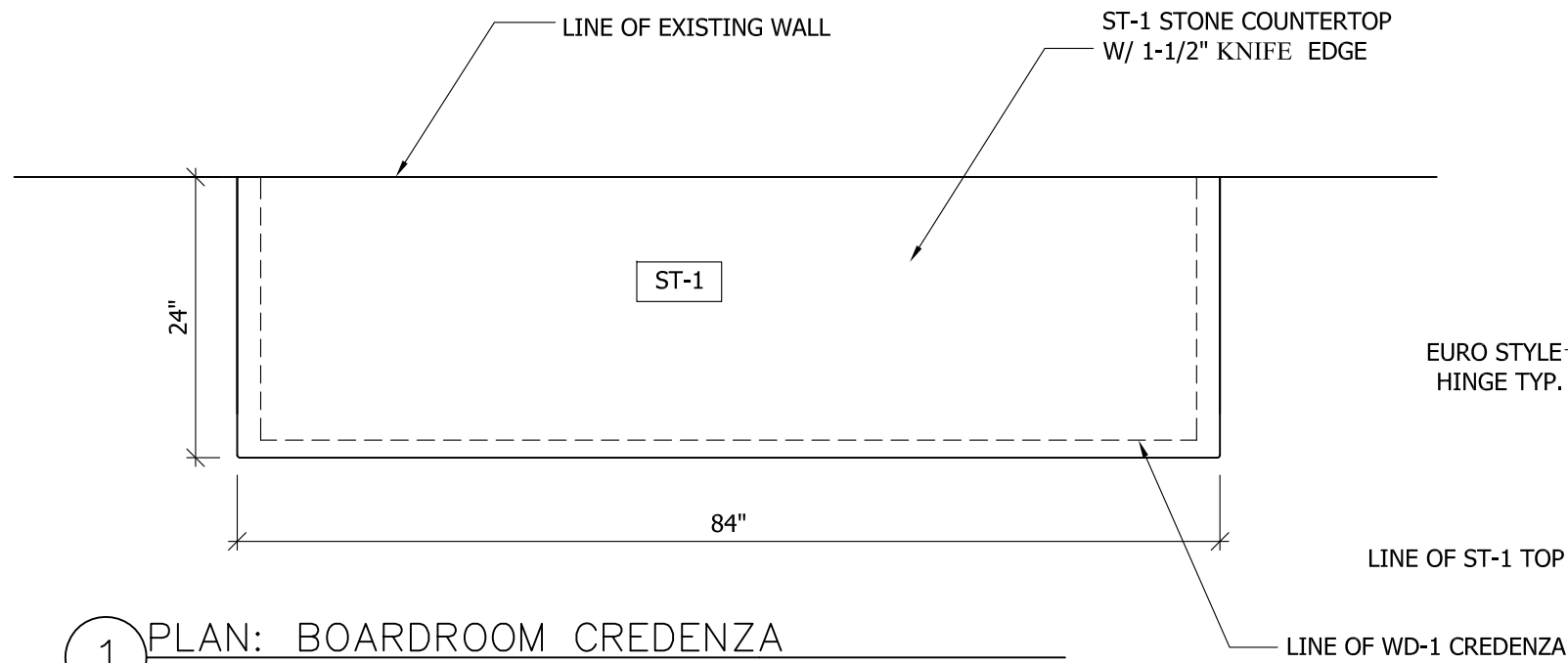
## SUBMITTAL DRAWINGS

SHEET A1	PLANS & ELEVATIONS
SHEET D1	SECTIONS & DETAILS

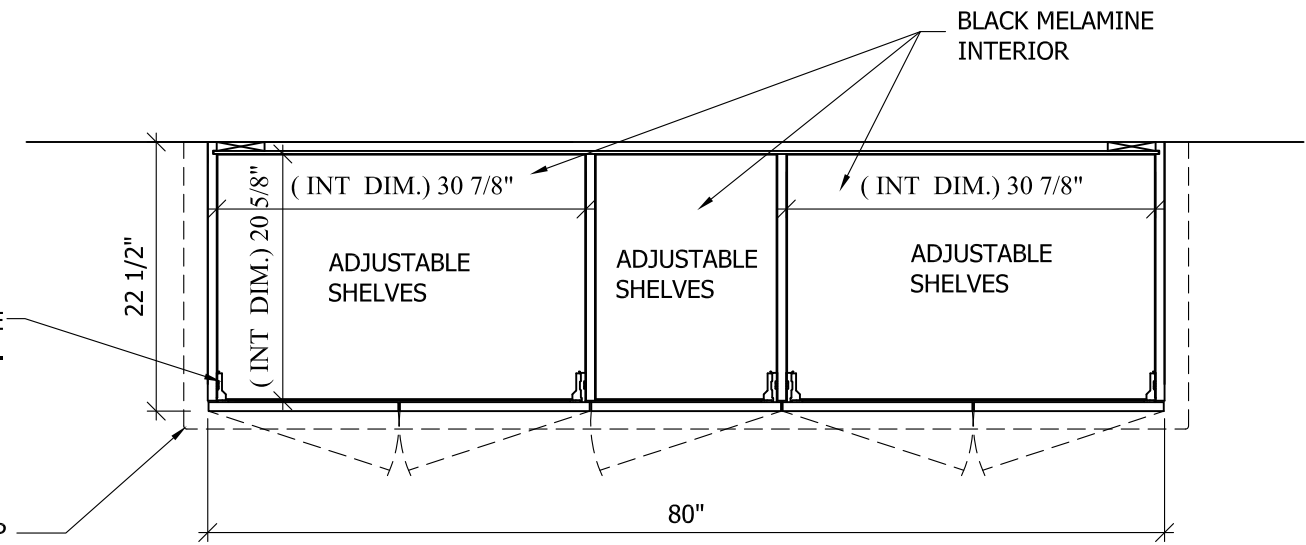
## FINISH SCHEDULE

ST-1	2cm POLISHED ABSOLUTE BLACK GRANITE
WD-1	BOOKMATCHED RIFT CUT WHITE OAK VENEER CUSTOM COLOR W/ CATALYZED CONVERSION VARNISH TOP COAT (MATCH EXISTING)
PL-1	FORMICA SOLID METAL BRUSHED ALUMINUM # M605

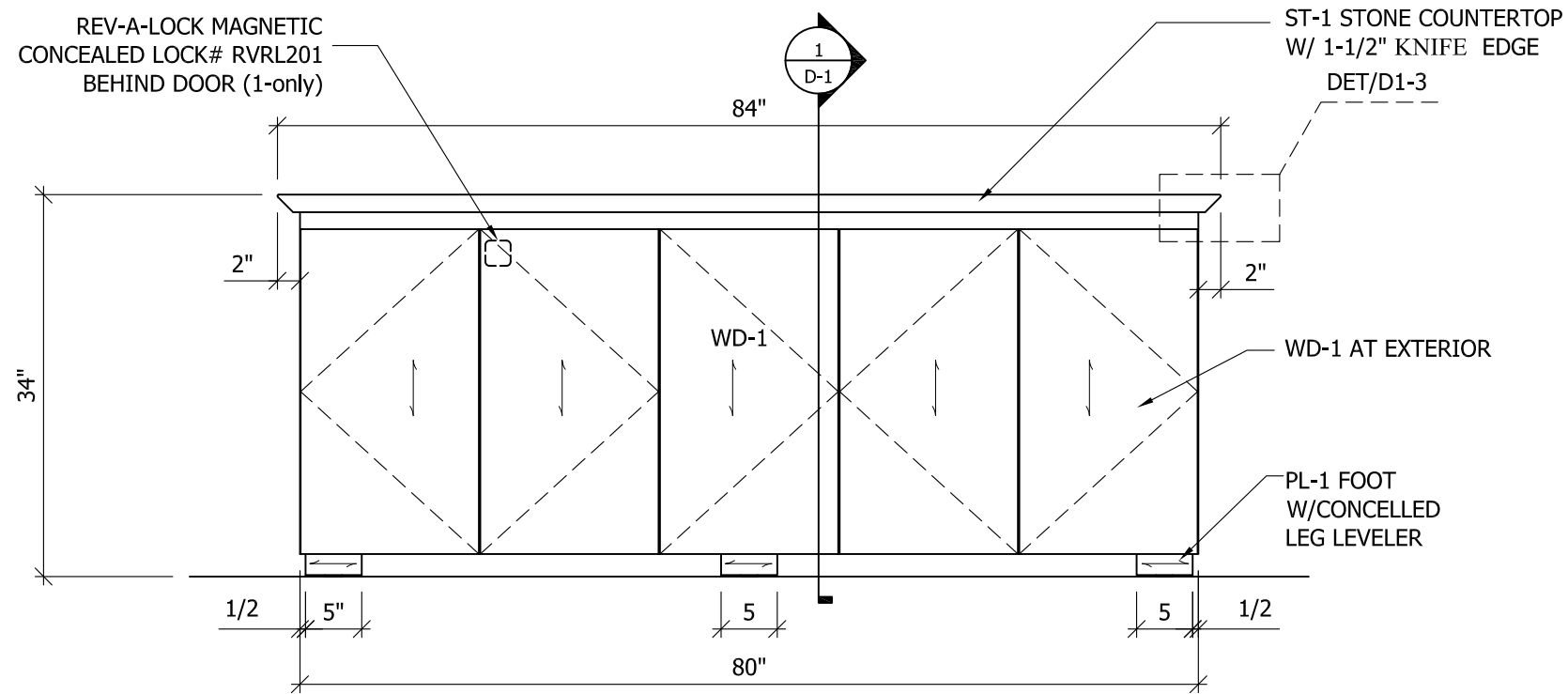
Project No.



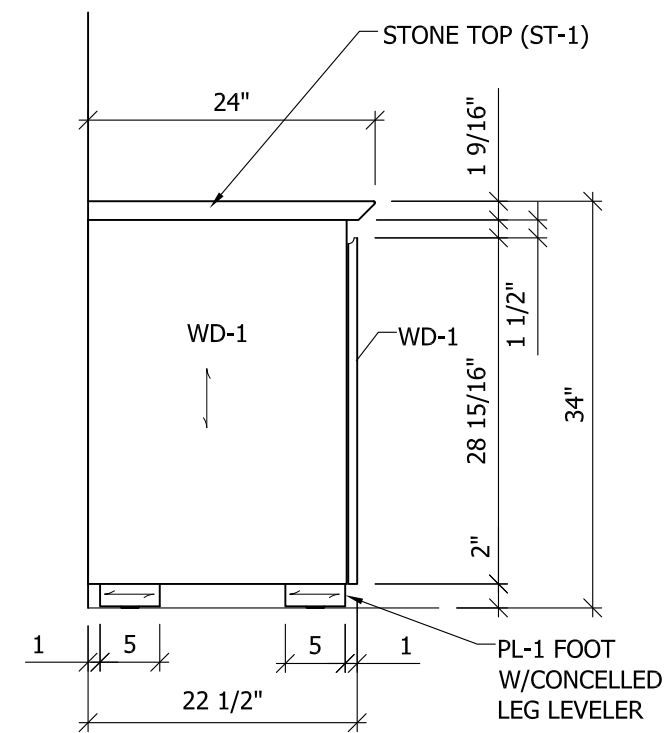
1 PLAN: BOARDROOM CREDENZA  
3/4" = 1'-0"



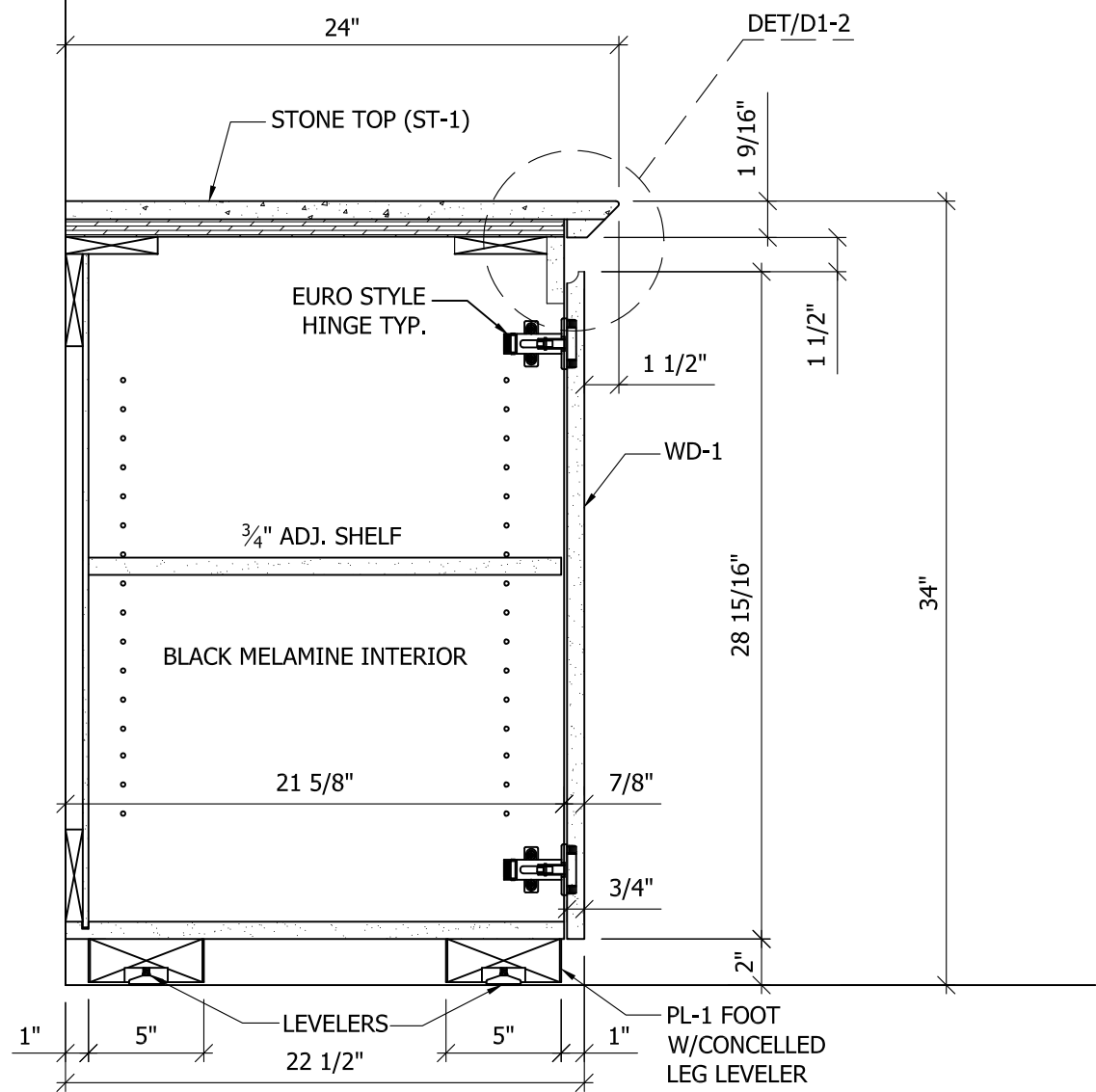
3 PLAN SECTION: BOARDROOM CREDENZA  
3/4" = 1'-0"



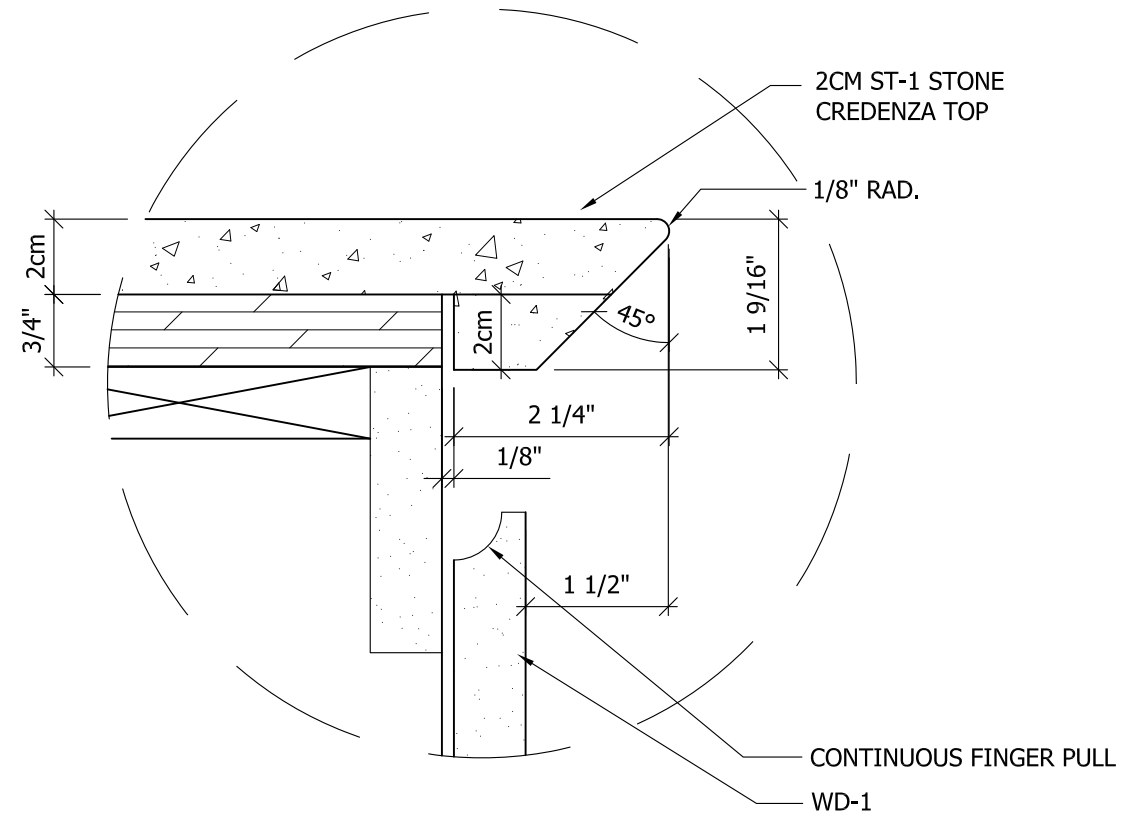
2 ELEVATION: BOARDROOM CREDENZA  
3/4" = 1'-0"



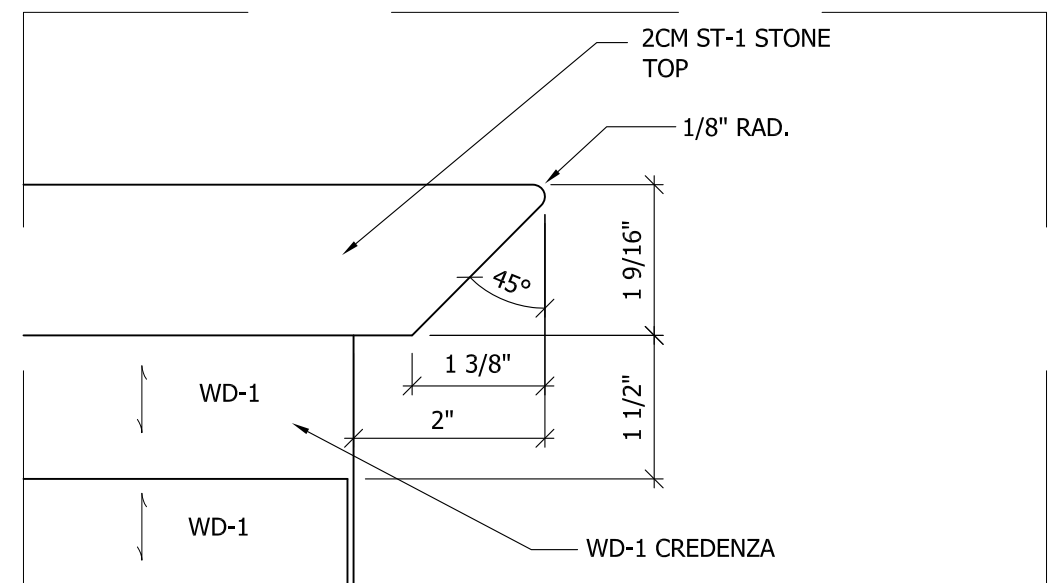
4 END VIEW: BOARDROOM CREDENZA  
3/4" = 1'-0"



1 SECTION: BOARDROOM CREDENZA  
1-1/2"=1'-0"



2 DETAIL: BOARDROOM CREDENZA DROP EDGE  
HALF SCALE



3 DETAIL: BOARDROOM CREDENZA  
HALF SCALE