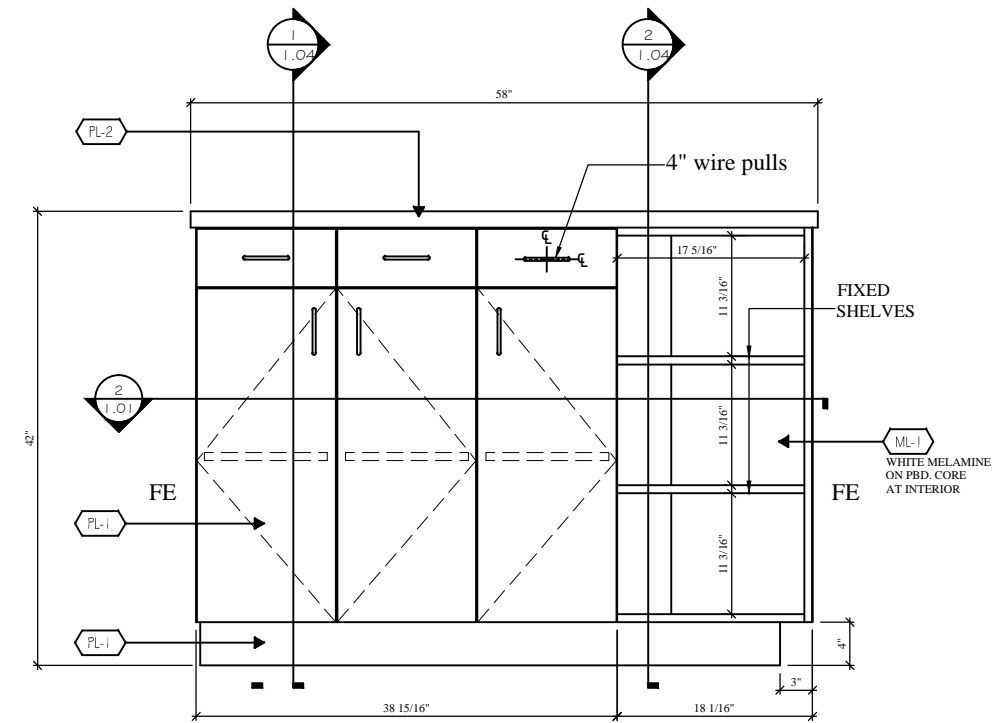
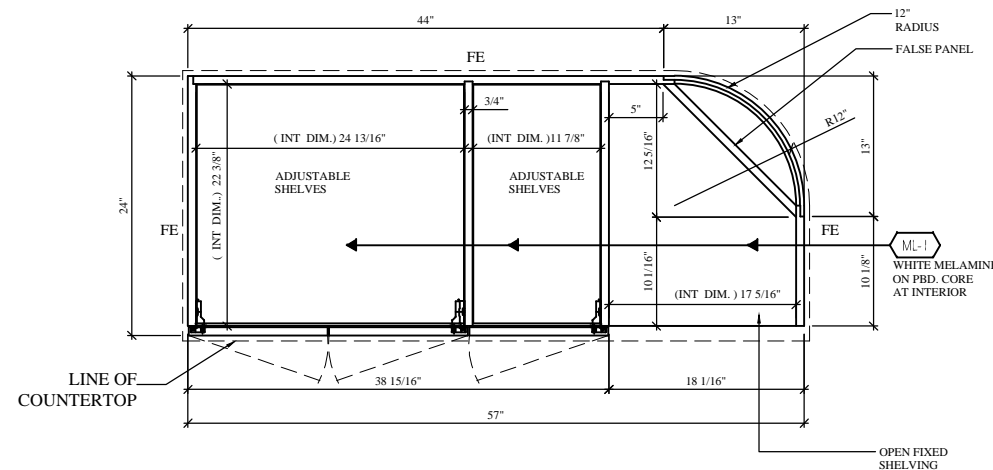


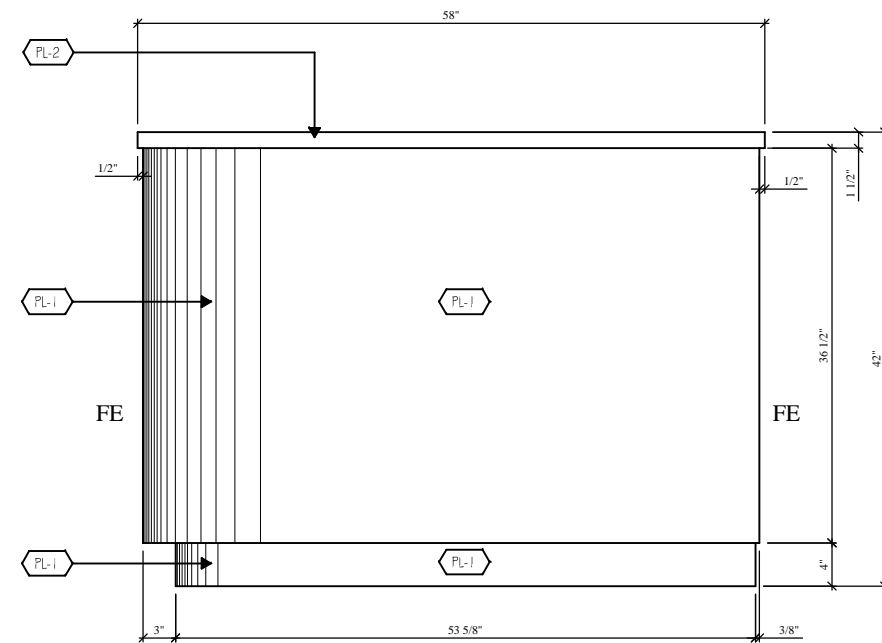
1 PLAN @ DISPLAY/SERVICE COUNTER
1-1/2"=1'-0"



3 ELEVATION @ CLERK SIDE
1-1/2"=1'-0"



2 PLAN SECTION @ DISPLAY/SERVICE COUNTER
1-1/2"=1'-0"

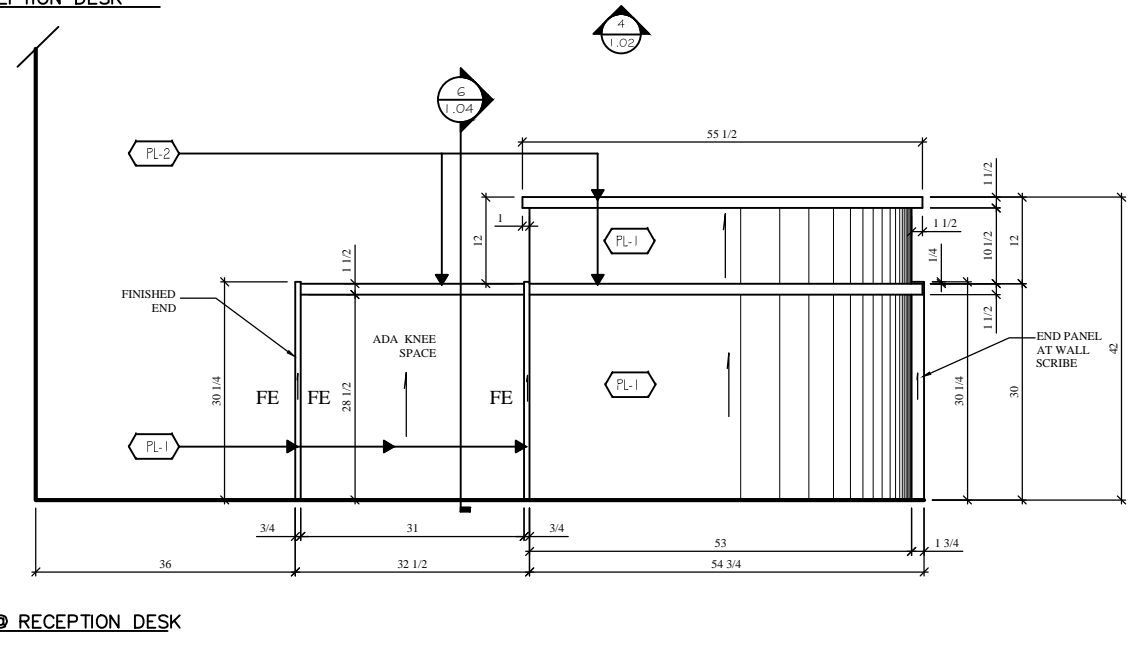
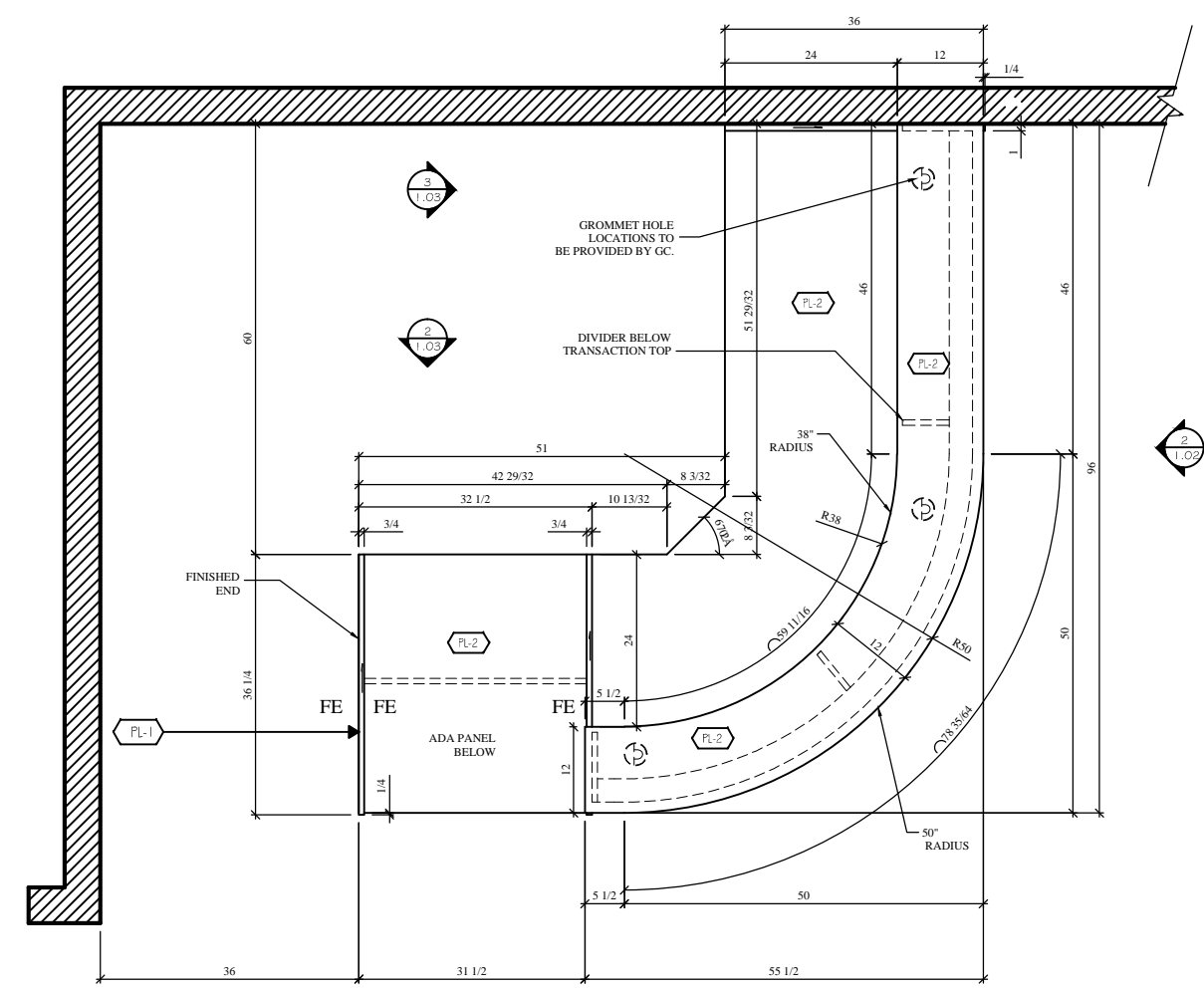
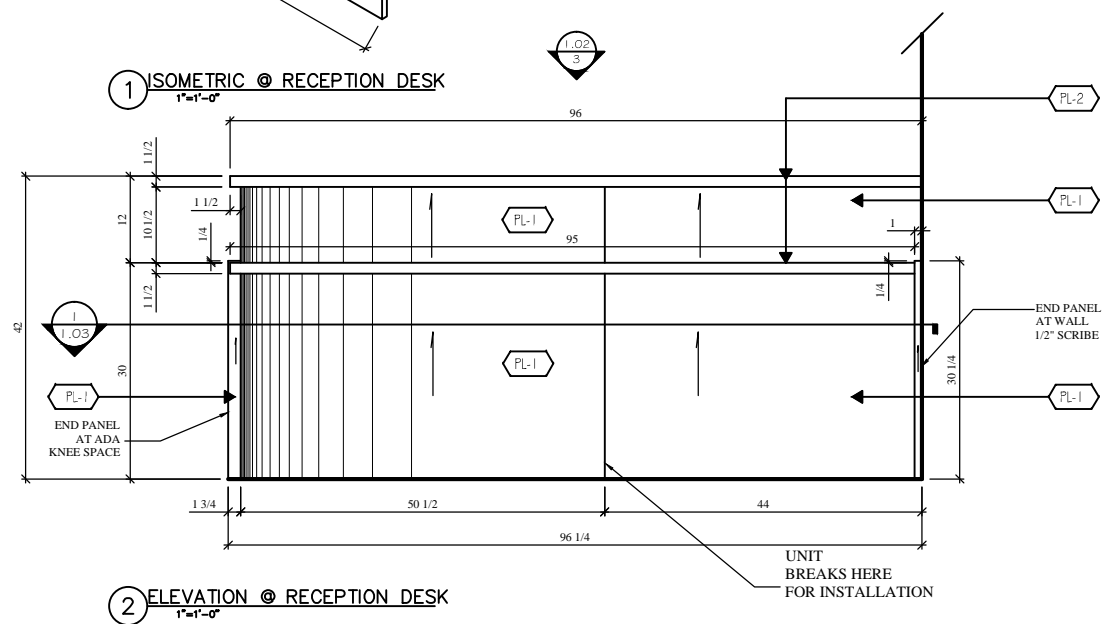
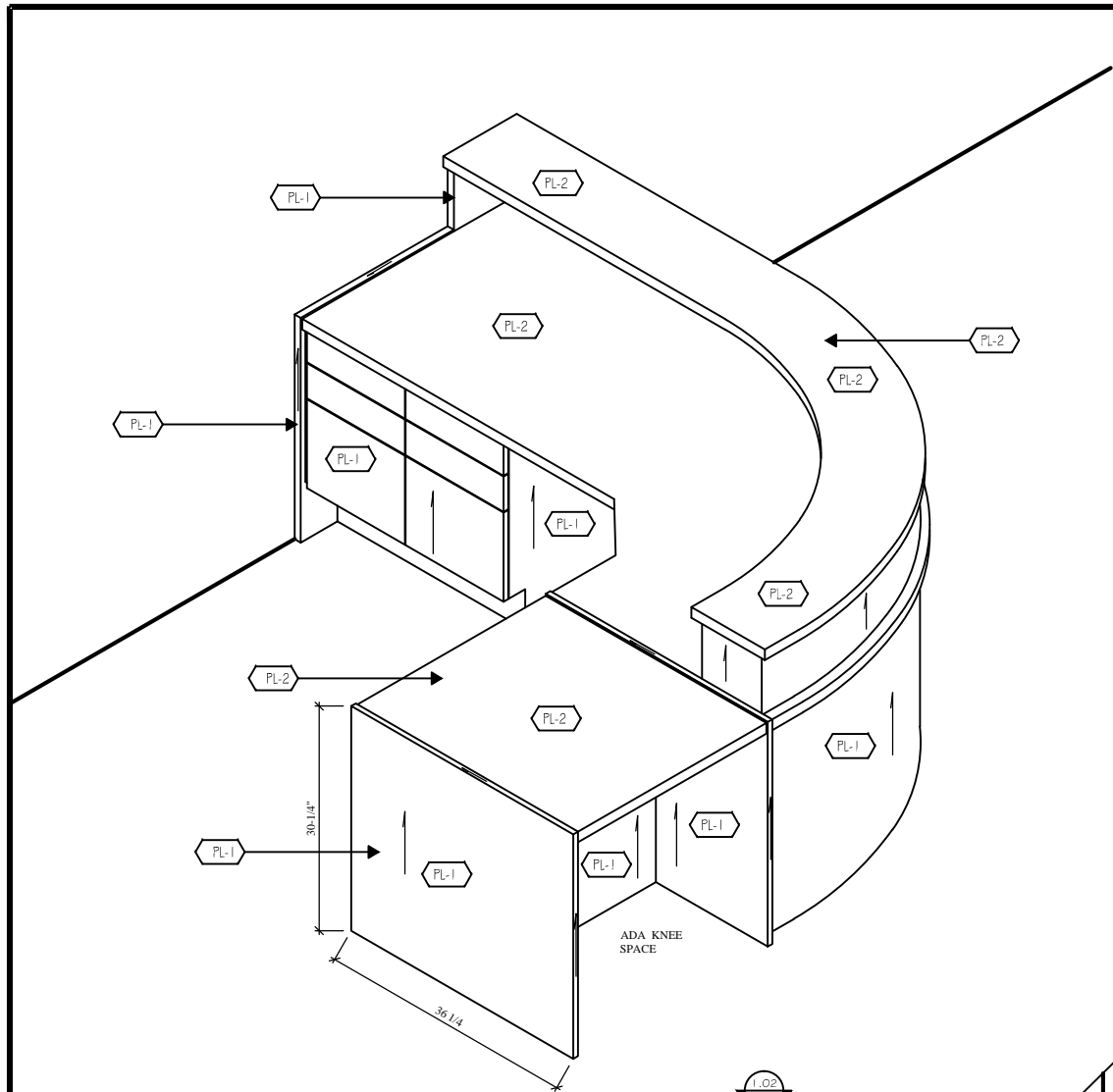


4 PLAN @ CUSTOMER SIDE
1-1/2"=1'-0"

Notes/Comments	Submittal Log	Drawn By	Elevation Info	Commercial Cabinets of Austin
1) ALL PLUMBING, ELECTRICAL AND EQUIPMENT BY OTHERS TYP.	DATE DRAWN 2/04/11	JF	Room DISPLAY	Dr. Angela Hollowell
2) ALL DIMENSIONS TO BE FIELD VERIFIED.	THIRD Submittal		Arch Ref	
3)	Issued For Production --		Production/Install Info	Job Name
	Issued For Installation --		Job Number	Address
	----		Finish	City/State
	----		Install	Designer
	----		Scale 1-1/2"=1'-0"	Date 2/04/11
				Sheet Number 1.01

Cabinet Doors and Extensors; PL-1-Formica - 7008-43 Acajou Mahogany 3/4" white Melamine PBD. core.
 Edgebanding - Matching PVC to colors available, colors not available in PVC will have VG plam.
 Countertop - PL-2-Formica- 7732-4G Butterm Granite
 Cabinet Interiors - white Melamine on 3/4" PBD. core.
 Toekicks-Veneer core Plywood.
 Drawers - 1/2" white Melamine on PBD. core.

Hinges - Blum 110° Full Overlay
 Pulls - 4" brushed aluminum wire pull
 Drawer slides - Drawer slides - Ferran Full Extension
 20" Ball Bearing slide
 Shelf pins - Hardware Resources 130GBN



Notes/Comments

1) ALL PLUMBING, ELECTRICAL AND EQUIPMENT BY OTHERS TYP.

2) ALL DIMENSIONS TO BE FIELD VERIFIED.

3)

Submittal Log		Drawn By
DATE DRAWN	2/04/11	JF
THIRD Submittal		
Issued For Production	--	
Issued For Installation	--	
----	--	
----	--	
----	--	
----	--	

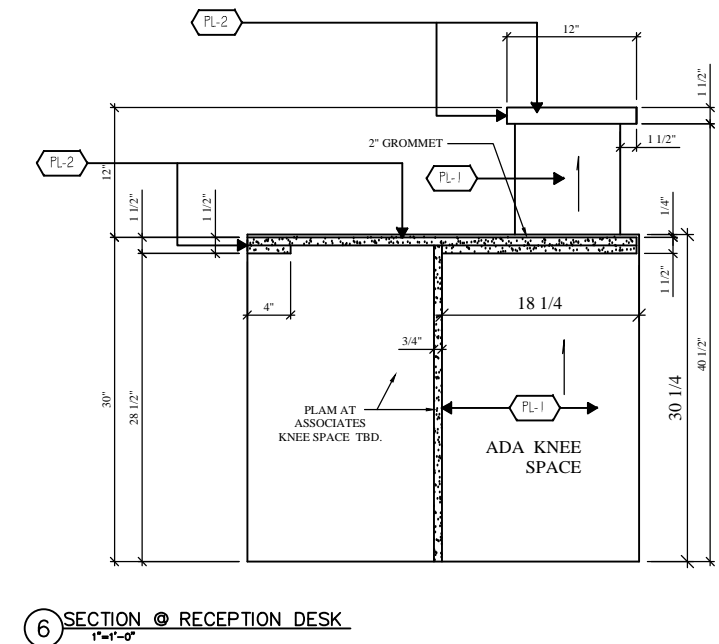
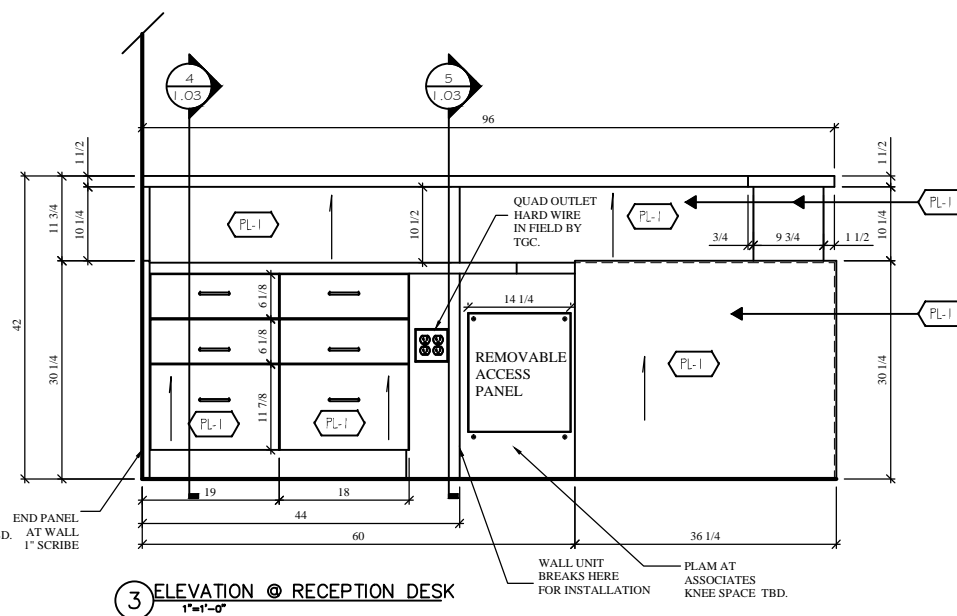
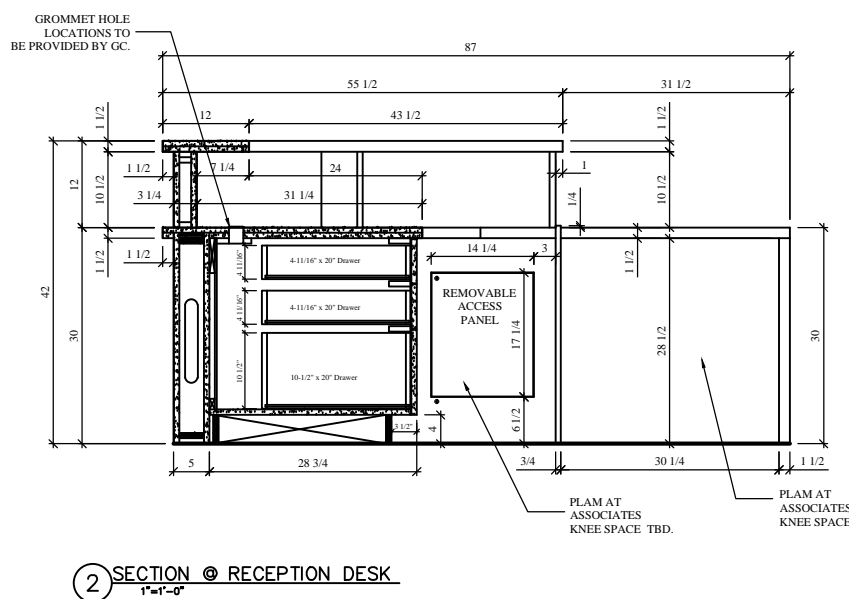
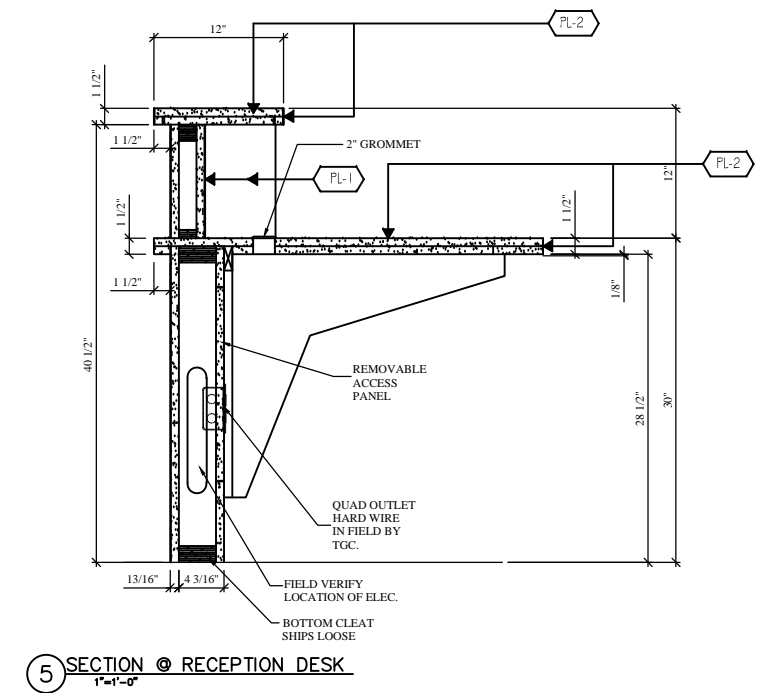
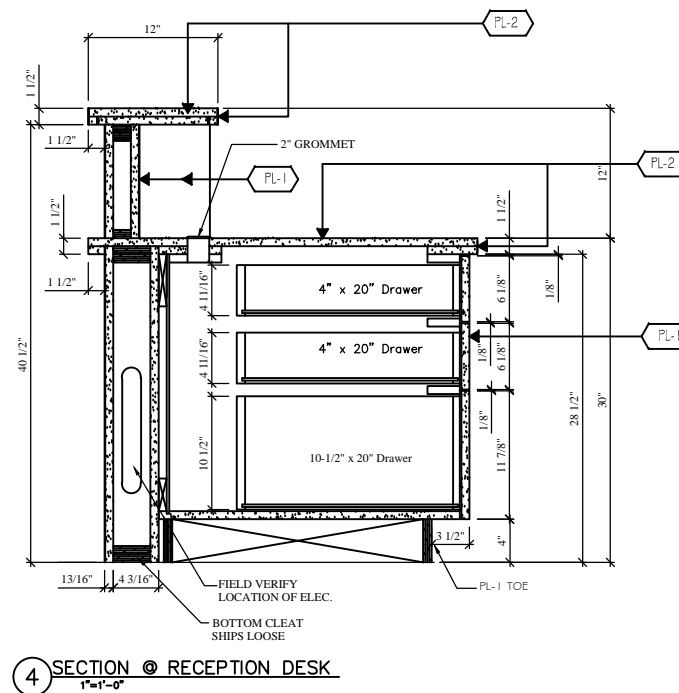
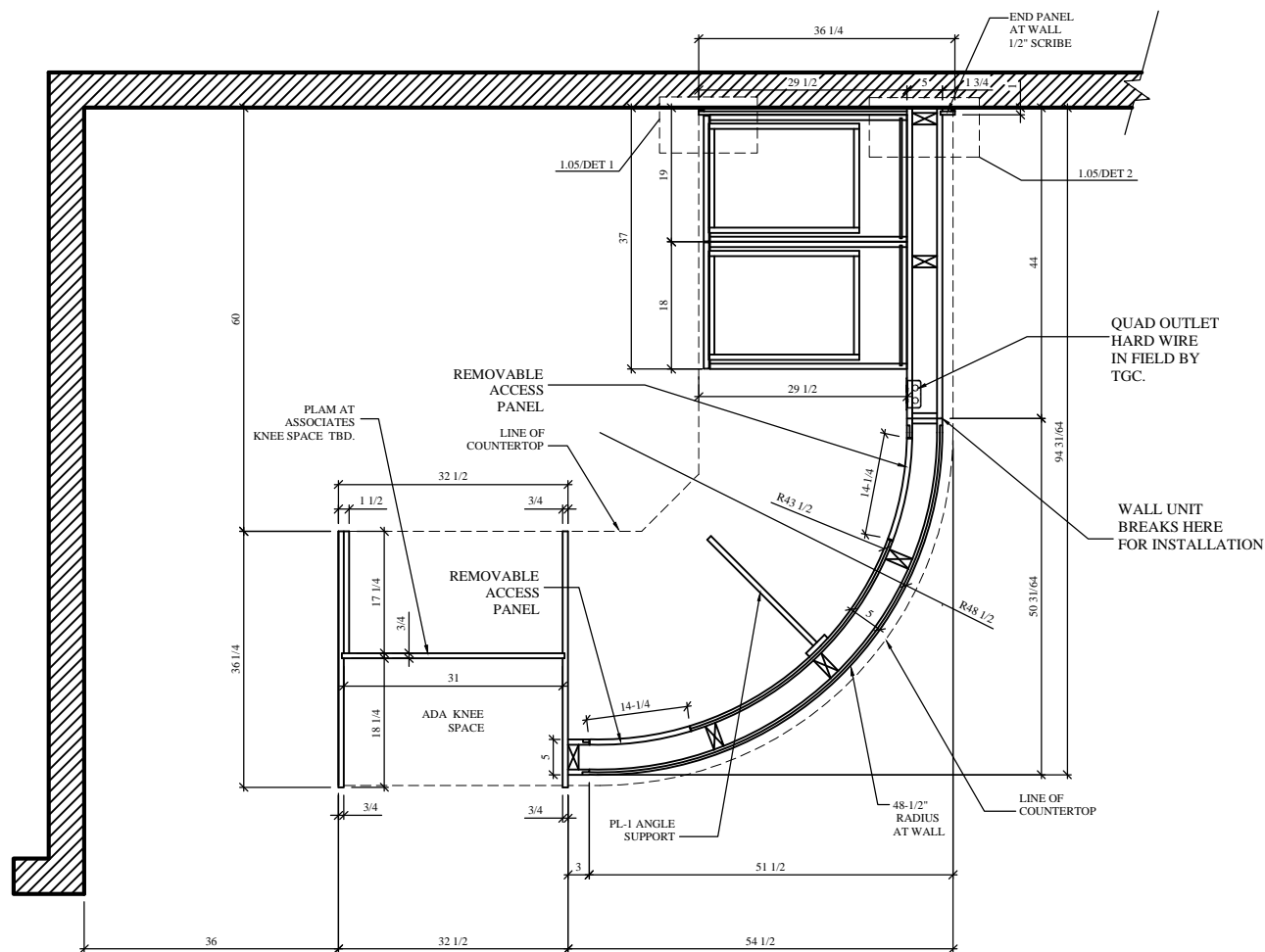
Drawn By

Cabinet Doors and Exteriors; PL-1-Formica - 7008-43 Acajou Mahogany 3/4" white Melamine PBD. core.
Edgebanding - Matching PVC to colors available, colors not available in PVC will have VG plam.
Countertop - PL-2-Formica- 7732-46 Butternut Granite
Cabinet Interiors - white Melamine on 3/4" PBD. core.
Toekicks-Veneer core Plywood.
Drawers - 1/2" white Melamine on PBD. core.

Hinges - Blum 110° Full Overlay
Pulls - 4" brushed aluminum wire pull
Drawer slides - Drawer slides - Ferran Full Extension
20" Ball Bearing slide
Shelf pins - Hardware Resources 1306BN

Elevation Info	
Room	RECEPTION RM.
Arch Ref	
Production/Install Info	
Job Number	
Finish	
Install	
Scale 1"=1'-0"	

Commercial Cabinets of Austin	
Job Name	Dr. Angela Hollowell
Address	
City/State	
Designer	
Date	2/04/11
Sheet Number	1.02



Notes/Comments

- 1) ALL PLUMBING, ELECTRICAL AND EQUIPMENT BY OTHERS TYP.
- 2) ALL DIMENSIONS TO BE FIELD VERIFIED.
- 3)

Submittal Log

DATE DRAWN	2/04/11	Drawn By	JF
THIRD Submittal			
Issued For Production	--		
Issued For Installation	--		
----	--		
----	--		
----	--		
----	--		

Drawn By

Cabinet Doors and Exteriors; PL-1-Formica - 7008-43 Acajou Mahogany 3/4" white Melamine PBD. core.
 Edgebanding - Matching PVC to colors available, colors not available in PVC will have VG plam.
 Countertop - PL-2-Formica - 7732-46 Butternut Granite
 Cabinet Interiors - white Melamine on 3/4" PBD. core.
 Toekicks-Veneer core Plywood.
 Drawers - 1/2" white Melamine on PBD. core.

Hinges - Blum 110° Full Overlay
 Pulls - 4" brushed aluminum wire pull
 Drawer slides - Drawer slides - Ferran Full Extension
 20" Ball Bearing slide
 Shelf pins - Hardware Resources 1306BN

Elevation Info

Room	RECEPTION RM.
Arch Ref	
Production/Install Info	
Job Number	
Finish	
Install	
Scale	1"=1'-0"

Commercial Cabinets of Austin

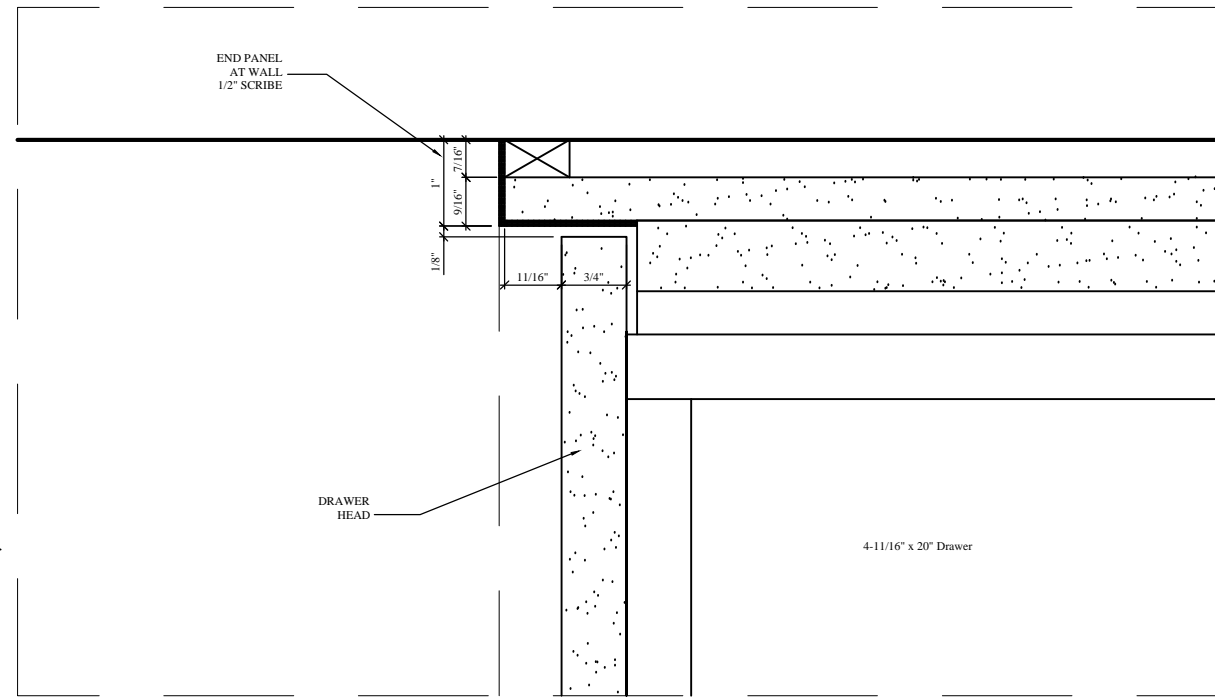
Job Name
Dr. Angela Hollowell

Address
City/State

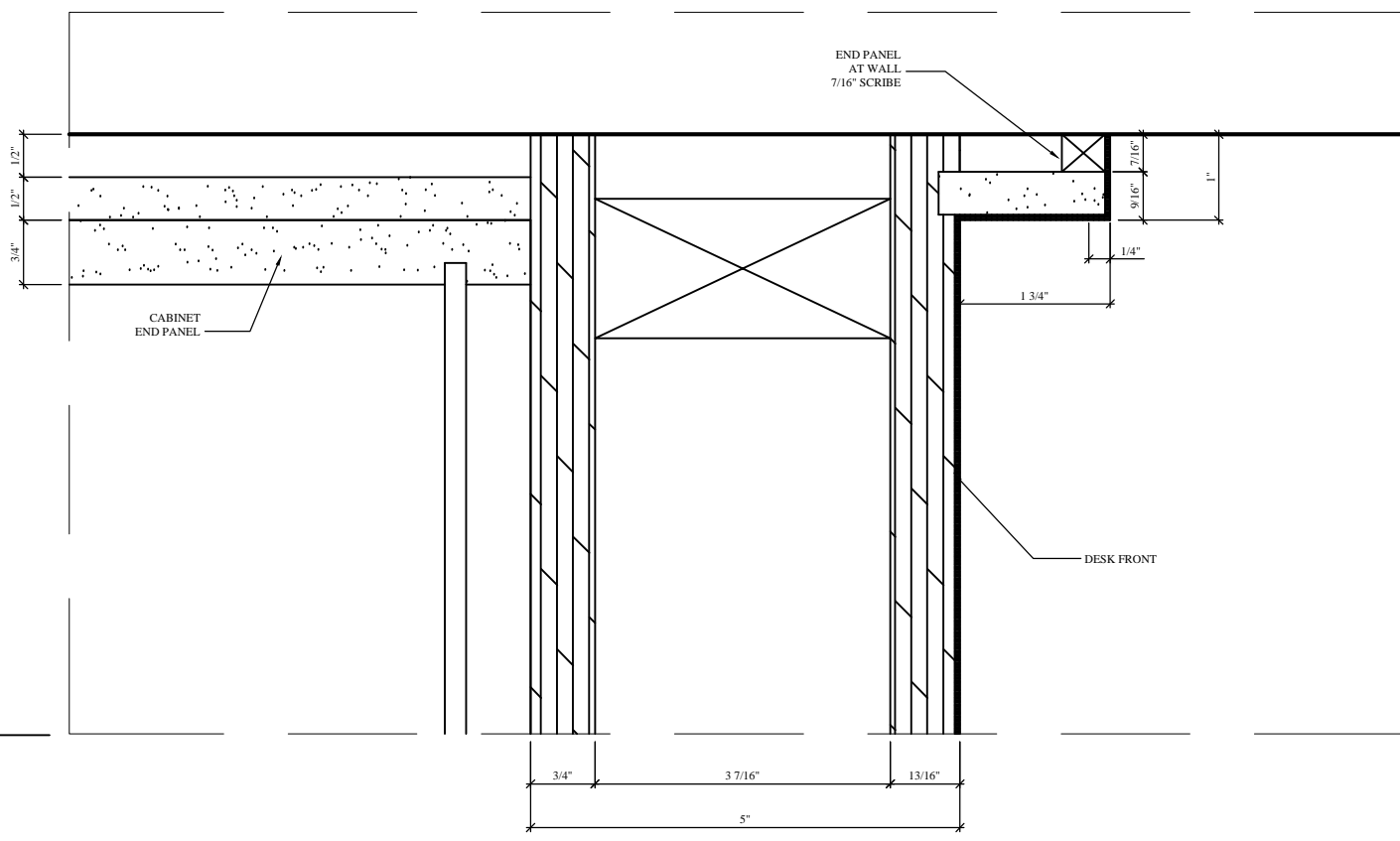
Designer
Date
2/04/11

1.03
Sheet Number

1 DETAIL @ WALL SCRIBE
FULL SCALE



2 DETAIL @ WALL SCRIBE
FULL SCALE



Notes/Comments

1) ALL PLUMBING, ELECTRICAL AND EQUIPMENT BY OTHERS TYP.

2) ALL DIMENSIONS TO BE FIELD VERIFIED.

3)

Submittal Log		Drawn By
DATE DRAWN	2/04/11	JF
THIRD Submittal		
Issued For Production	--	
Issued For Installation	--	
----	--	
----	--	
----	--	
----	--	

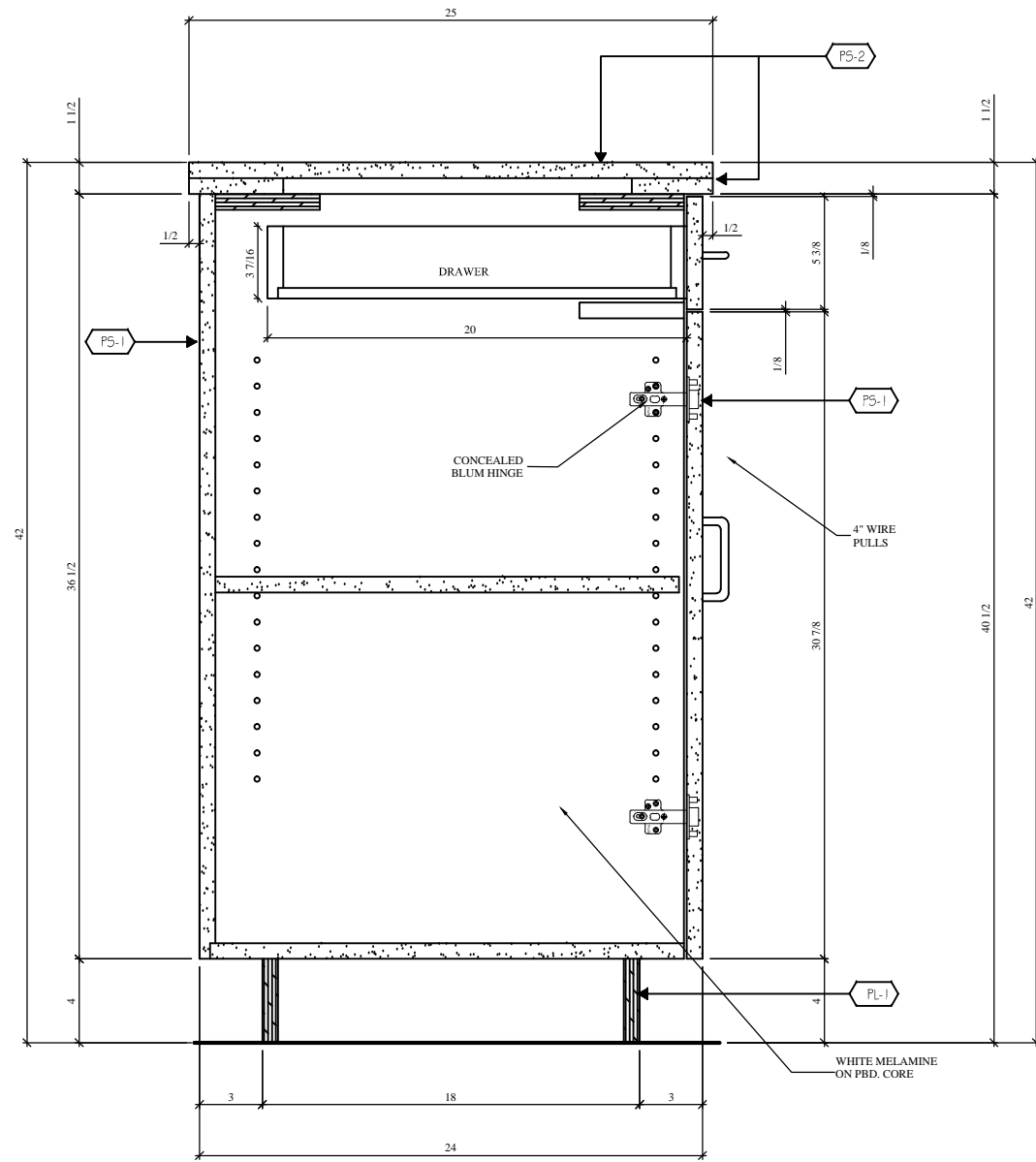
Drawn By

Cabinet Doors and Exteriors; PL-1-Formica - 7008-43 Acajou Mahogany 3/4" white Melamine PBD. core.
Edgebanding - Matching PVC to colors available, colors not available in PVC will have VG plam.
Countertop - PL-2-Formica- 7732-46 Butternut Granite
Cabinet Interiors - white Melamine on 3/4" PBD. core.
Toekicks-Veneer core Plywood.
Drawers - 1/2" white Melamine on PBD. core.

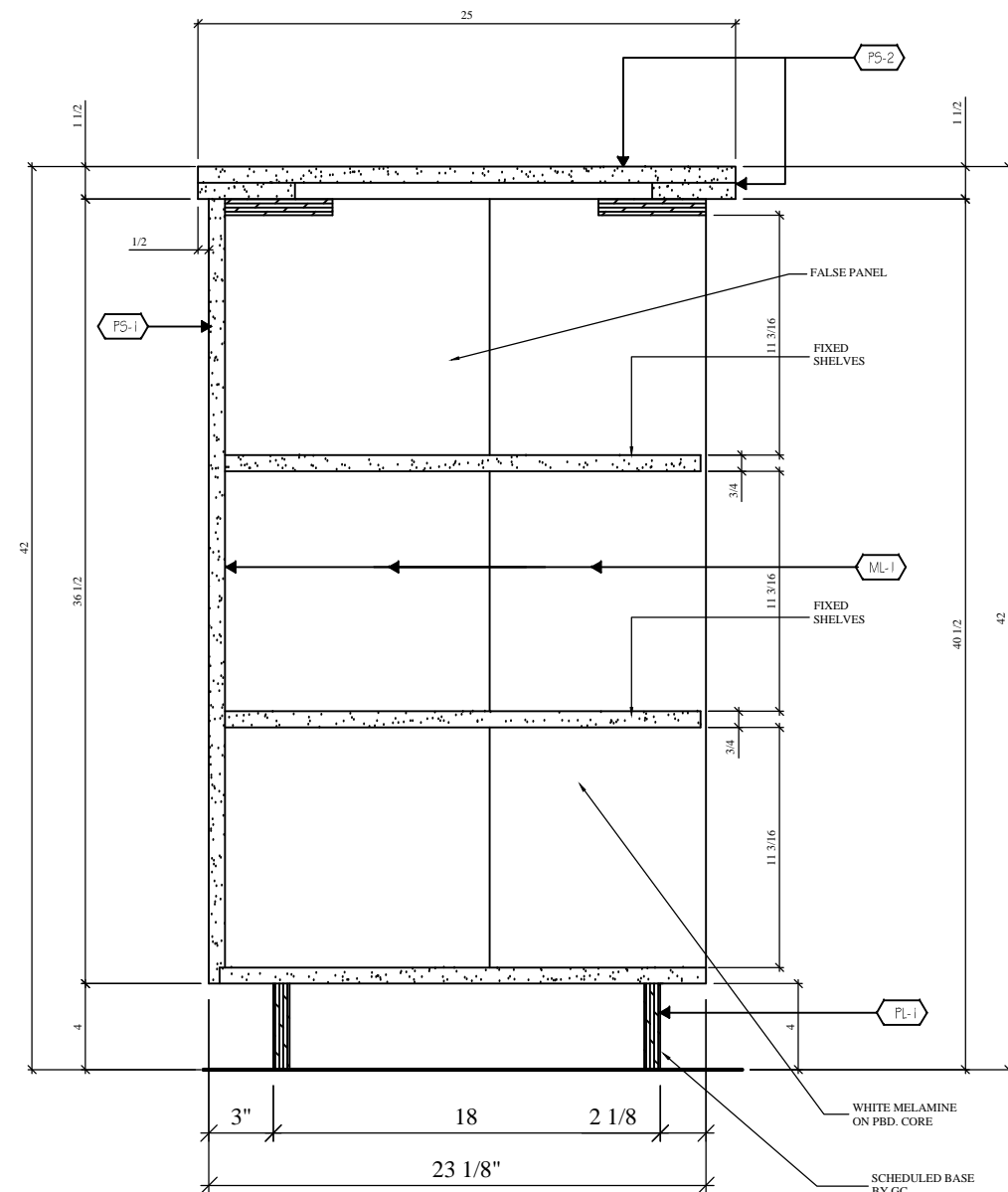
Hinges - Blum 110° Full Overlay
Pulls - 4" brushed aluminum wire pull
Drawer slides - Drawer slides - Ferran Full Extension
20" Ball Bearing slide
Shelf pins - Hardware Resources 1306BN

Elevation Info	
Room	RECEPTION RM.
Arch Ref	
Production/Install Info	
Job Number	
Finish	
Install	
FULL SCALE	

Commercial Cabinets of Austin	
Job Name	Dr. Angela Hollowell
Address	
City/State	
Designer	
Date	2/04/11
Sheet Number	1.05



1 SECTION @ DISPLAY/SERVICE COUNTER
3/4"=1"



2 SECTION @ DISPLAY/SERVICE COUNTER
3/4"=1"

Notes/Comments	Submittal Log		Drawn By	Cabinet Doors and Exteriors; PL-1-Formica - 7008-43 Acajou Mahogany 3/4" white Melamine PBD. core. Edgebanding - Matching PVC to colors available, colors not available in PVC will have VG plam. Countertop - PL-2-Formica- 7732-46 Butternut Granite Cabinet Interiors - white Melamine on 3/4" PBD. core. Toekicks-Veneer core Plywood. Drawers - 1/2" white Melamine on PBD. core.	Elevation Info	Commercial Cabinets of Austin		
	1) ALL PLUMBING, ELECTRICAL AND EQUIPMENT BY OTHERS TYP.	DATE DRAWN	2/04/11			JF	Room	DISPLAY
2) ALL DIMENSIONS TO BE FIELD VERIFIED.	THIRD Submittal				Arch Ref		Address	
3)	Issued For Production	--			Production/Install Info		City/State	
	Issued For Installation	--			Job Number		Designer	
	----	--			Finish		Date	2/04/11
	----	--			Install		Sheet Number	1.04
	----	--			Scale 3/4"=1'-0"			

Hinges - Blum 110° Full Overlay
Pulls - 4" brushed aluminum wire pull
Drawer slides - Drawer slides - Ferran Full Extension
20" Ball Bearing slide
Shelf pins - Hardware Resources 1306BN