

Ron King Salon

98 SAN JACINTO BLVD.
AUSTIN TX.

General Millwork Notes

- Verify all field dimensions and site conditions before fabrication.
- Acquire all necessary appliance and equipment cut sheets before fabrication.
- Verify field conditions are acceptable before delivery and/or installation of product.
- Environmental conditions should be operating at the level designated for building occupancy for 1 week before delivery.
- If schedule or contractor dictates that woodwork is to be installed in improper field conditions, warranty of such work may be voided.

Table of Contents

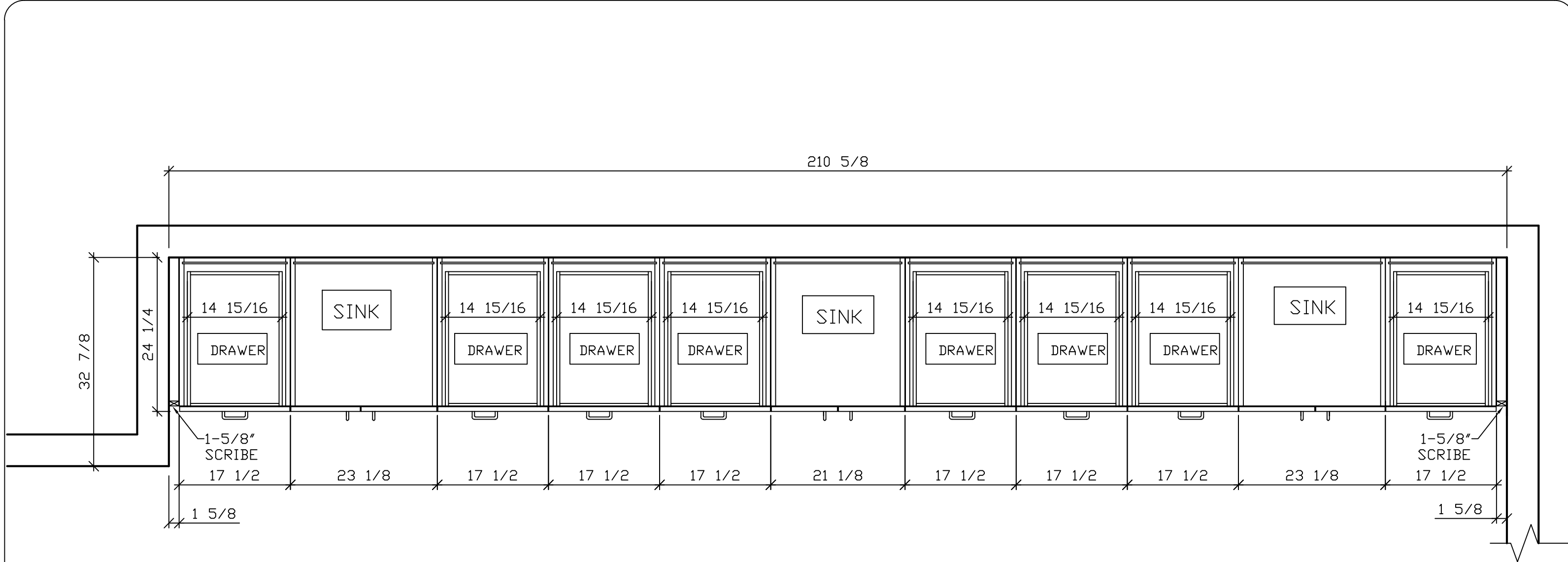
PLAN SEC. @ COLOR BAR	PG. 1.01
ELEVATION @ COLOR BAR	PG. 1.02
ELEVATION @ ICE MACHINE	PG. 1.03
END VIEW/ PLAN SECTION @ WAITING ISLAND	PG. 1.04
ELEVATION @ ISLAND WAITING SIDE	PG. 1.05
SECTION	PG. 1.06
SECTION	PG. 1.07
REAR ELEVATION @ RECEPTION DESK	PG. 1.08
FRONT ELEVATION @ RECEPTION DESK	PG. 1.09
SECTION @ RECEPTION DESK	PG. 1.10
ELEVATION @ SMALL DISPLAY	PG. 1.11
ELEVATION @ LARGE DISPLAY	PG. 1.12
ELEVATION @ HAIR WASH	PG. 1.14
ELEVATION @ RM 114 BREAK ROOM	PG. 1.15
SECTION @ BREAK ROOM	PG. 1.16
PLAN VIEW @ RM 115 OFFICE	PG. 1.17
ELEVATION @ RM 115 OFFICE	PG. 1.18
ELEVATION @ RM 115 OFFICE	PG. 1.19
ELEVATION/SECTION @ REST ROOM A/B	PG. 1.20

Finish Schedule

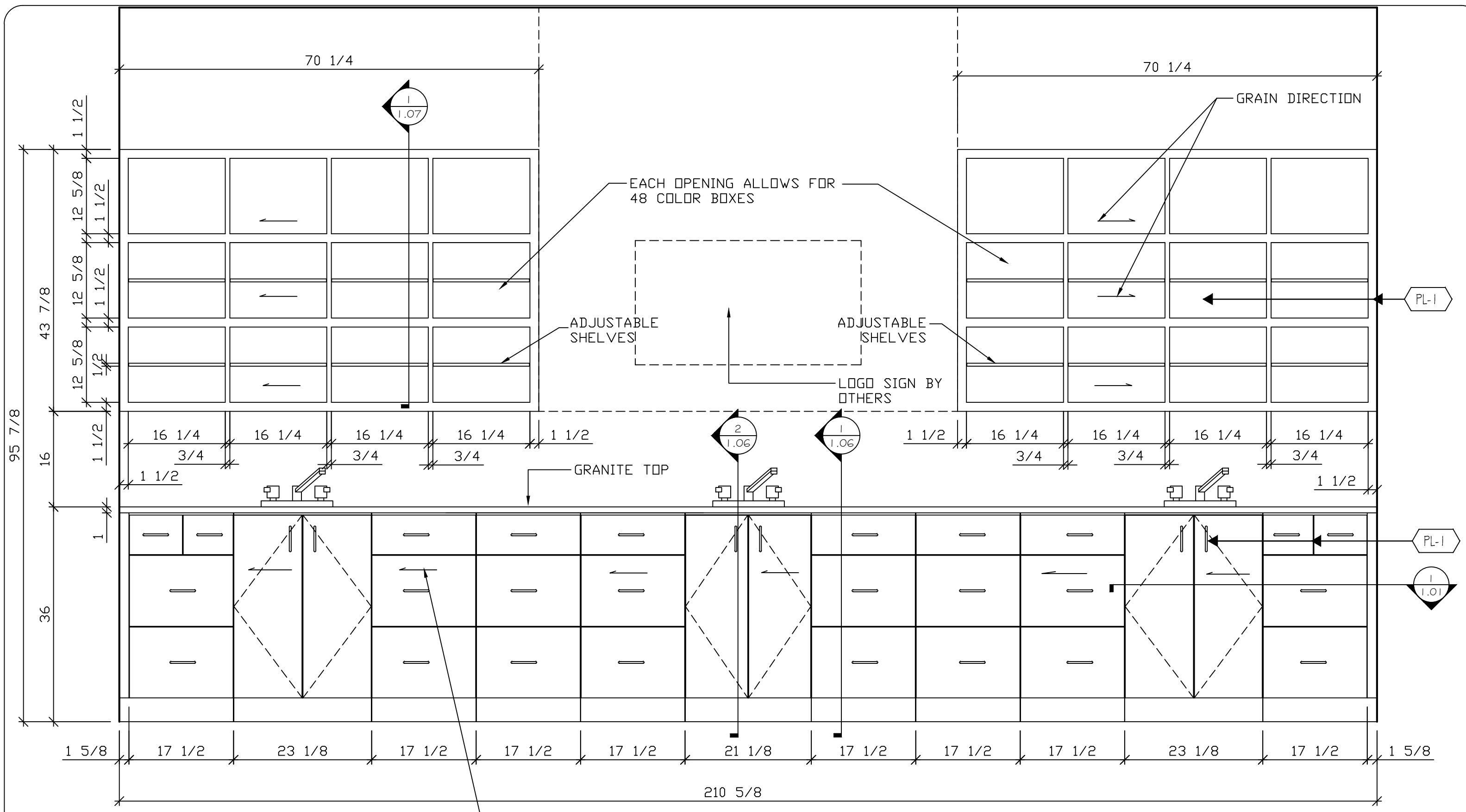
PL-1	FORMICA 909-SP BLACK Sculpted Collection
PL-2	FORMICA 909-MC BLACK MICRODOT FIN,
WD-1	WALNUT ON VENEER CORE PLYWOOD
	ALL INTERIOR SURFACES TO BE 3/4" BLACK MELAMINE
	DRAWER BOXES TO BE 1/2" THICK VENEER CORE PLYWOOD; CLEAR COAT FIN.

Cabinet Hardware Schedule

Hinges	CONCEALED HINGE 120 ° Full Overlay
Cabinet Pulls	To be 4" wire pulls US26D
Drawer Slides	Drawer slides - Full Extension 20"



1 PLAN SEC. @ COLOR BAR
 3/4"=1'-0" RM-104 COLOR BAR DISPLAY CENTER
 EXTERIOR PL-1: FORMICA 909-SP BLACK Sculpted Collection
 INTERIOR : 3/4" BLACK MELAMINE



1 ELEVATION @ COLOR BAR
 3/4"=1'-0" RM-104 COLOR BAR DISPLAY CENTER
 EXTERIOR FINISH: FORMICA 999 OR BLACK SEALED GELCOAT

Creative Custom Cabinets Inc.

DRAWN BY: JF
 DATE DRAWN: 6/1/2010
 SCALE: 3/4"=1'-0"
 FILE NAME: RonKing-1

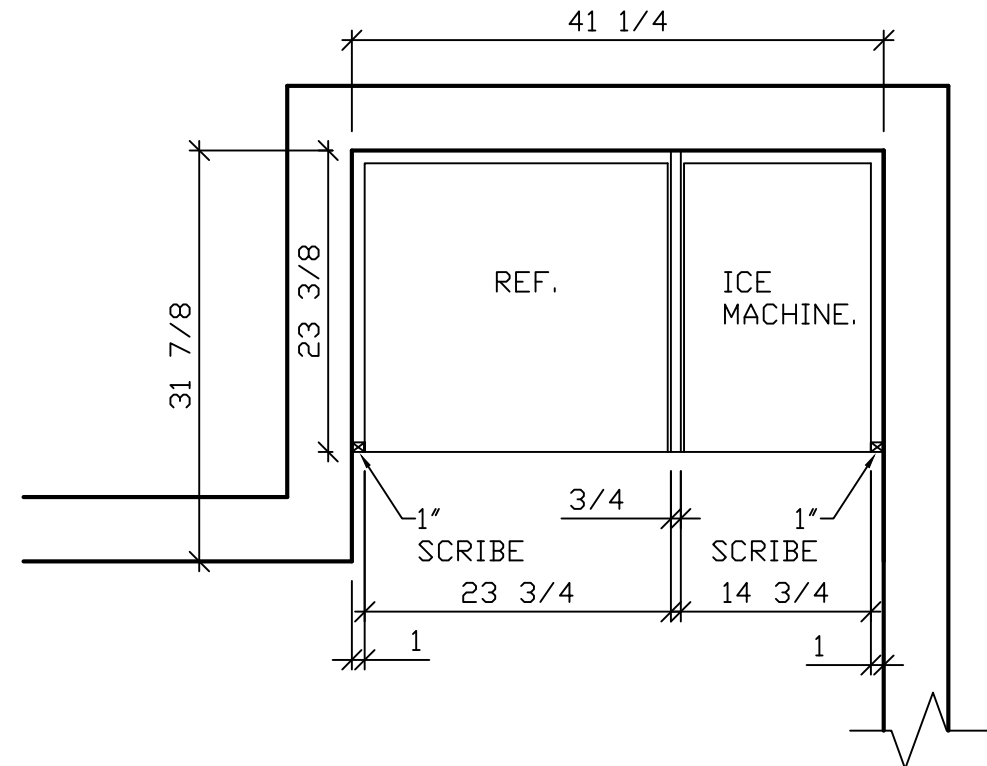
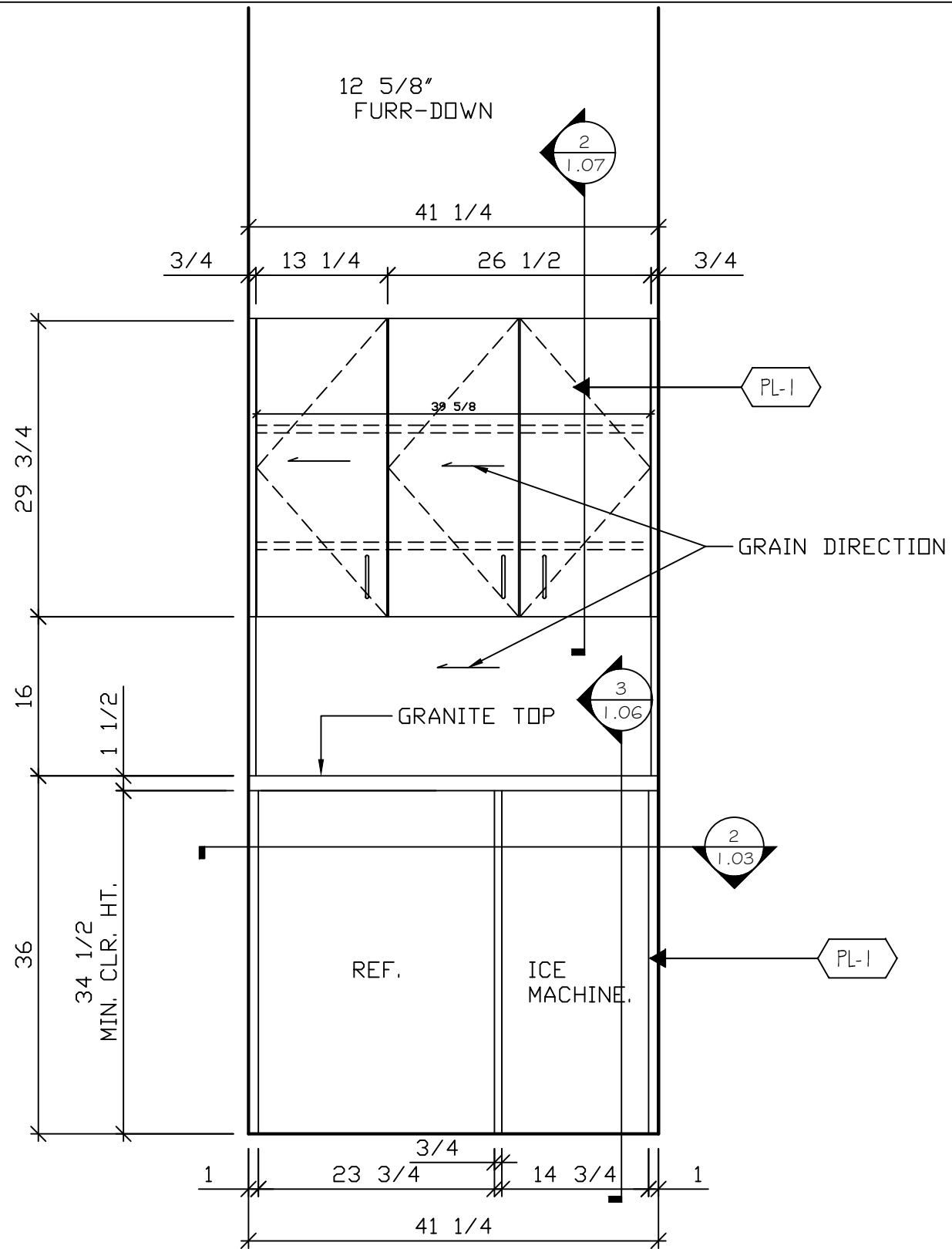
REVISIONS:

▲	
▲	
▲	

JOB #: N/A
 JOB: Ron King Salon
 98 SAN JACINTO BLVD.
 AUSTIN TX.

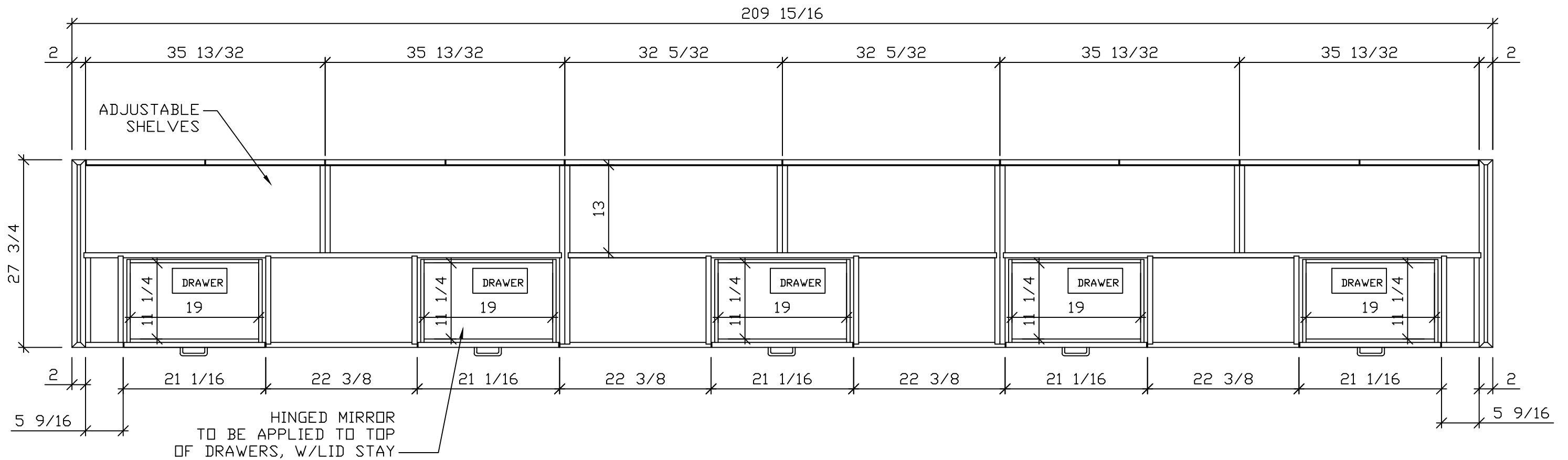
TITLE: ELEVATION
 COLOR BAR

PAGE #
 1.02



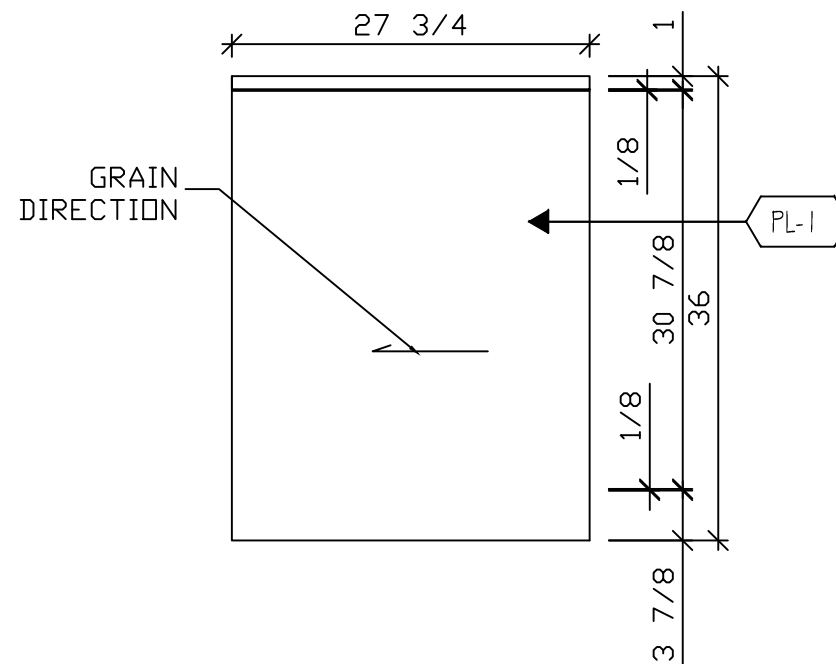
1 ELEVATION @ ICE MACHINE
 3/4"=1'-0" COLOR BAR DISPLAY CENTER
 EXTERIOR PL-1: FORMICA 909-SP BLACK Sculpted Collection
 ARCH REF. 19/A4.1 INTERIOR : 3/4" BLACK MELAMINE

2 PLAN SEC. @ ICE MACHINE
 3/4"=1'-0" COLOR BAR DISPLAY CENTER
 EXTERIOR PL-1: FORMICA 909-SP BLACK Sculpted Collection
 INTERIOR : 3/4" BLACK MELAMINE



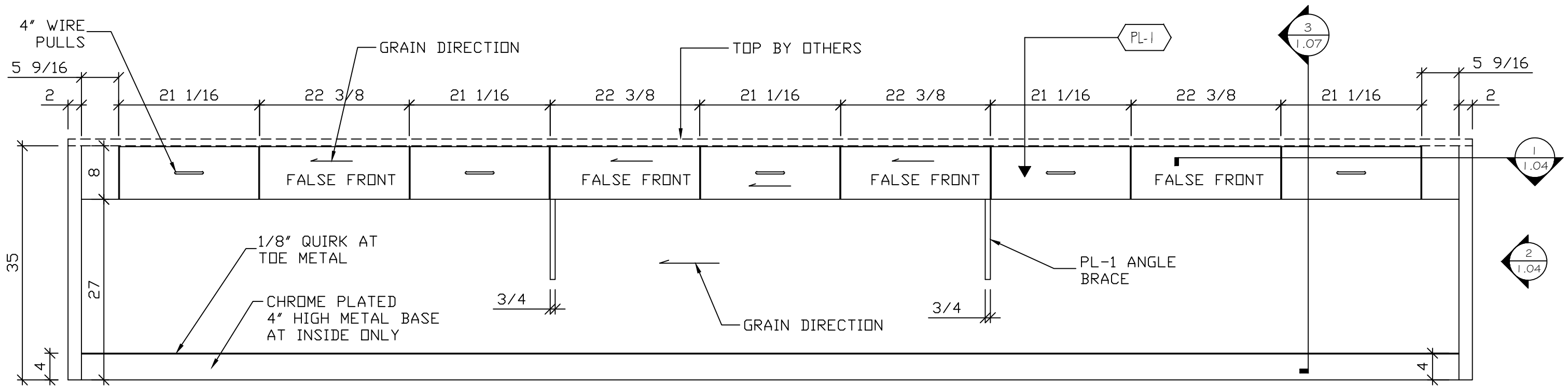
1 PLAN SEC. @ WAITING ISLAND

3/4"=1'-0" RM-102 WAITING ISLAND
 EXTERIOR PL-1: FORMICA 909-SP BLACK Sculpted Collection
 INTERIOR : 3/4" BLACK MELAMINE



2 END VIEW @ WAITING ISLAND

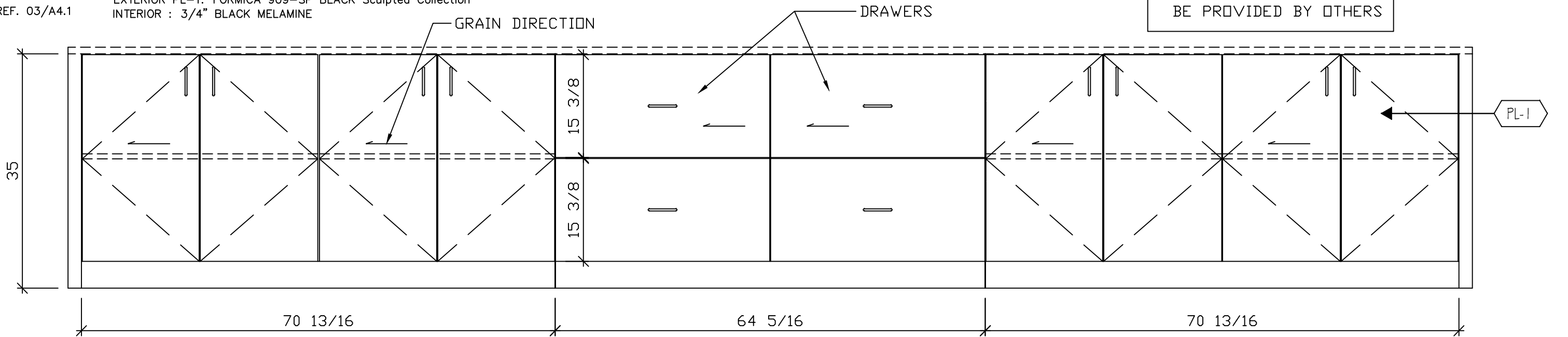
3/4"=1'-0" WAITING ISLAND
 EXTERIOR PL-1: FORMICA 909-SP BLACK Sculpted Collection
 INTERIOR : 3/4" BLACK MELAMINE
 ARCH REF. 05/A4.1



1 ELEVATION @ ISLAND WAITING SIDE

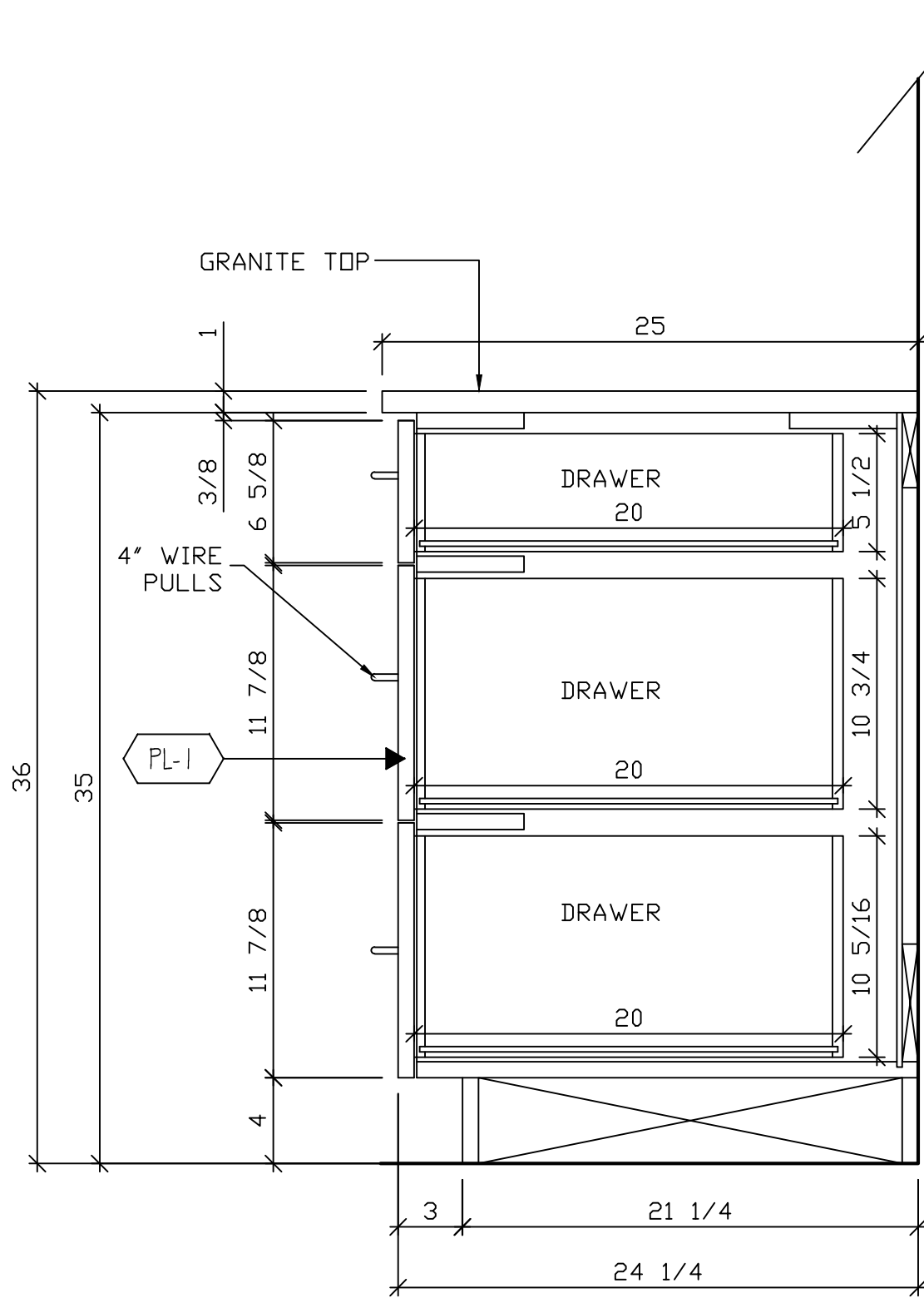
3/4"=1'-0" RM-102 ISLAND WAITING SIDE
 ARCH REF. 03/A4.1 EXTERIOR PL-1: FORMICA 909-SP BLACK Sculpted Collection
 INTERIOR : 3/4" BLACK MELAMINE

SUB TOP AND CASEWORK
 PROVIDED BY CREATIVE
 CUSTOM CABINETS.TOP TO
 BE PROVIDED BY OTHERS

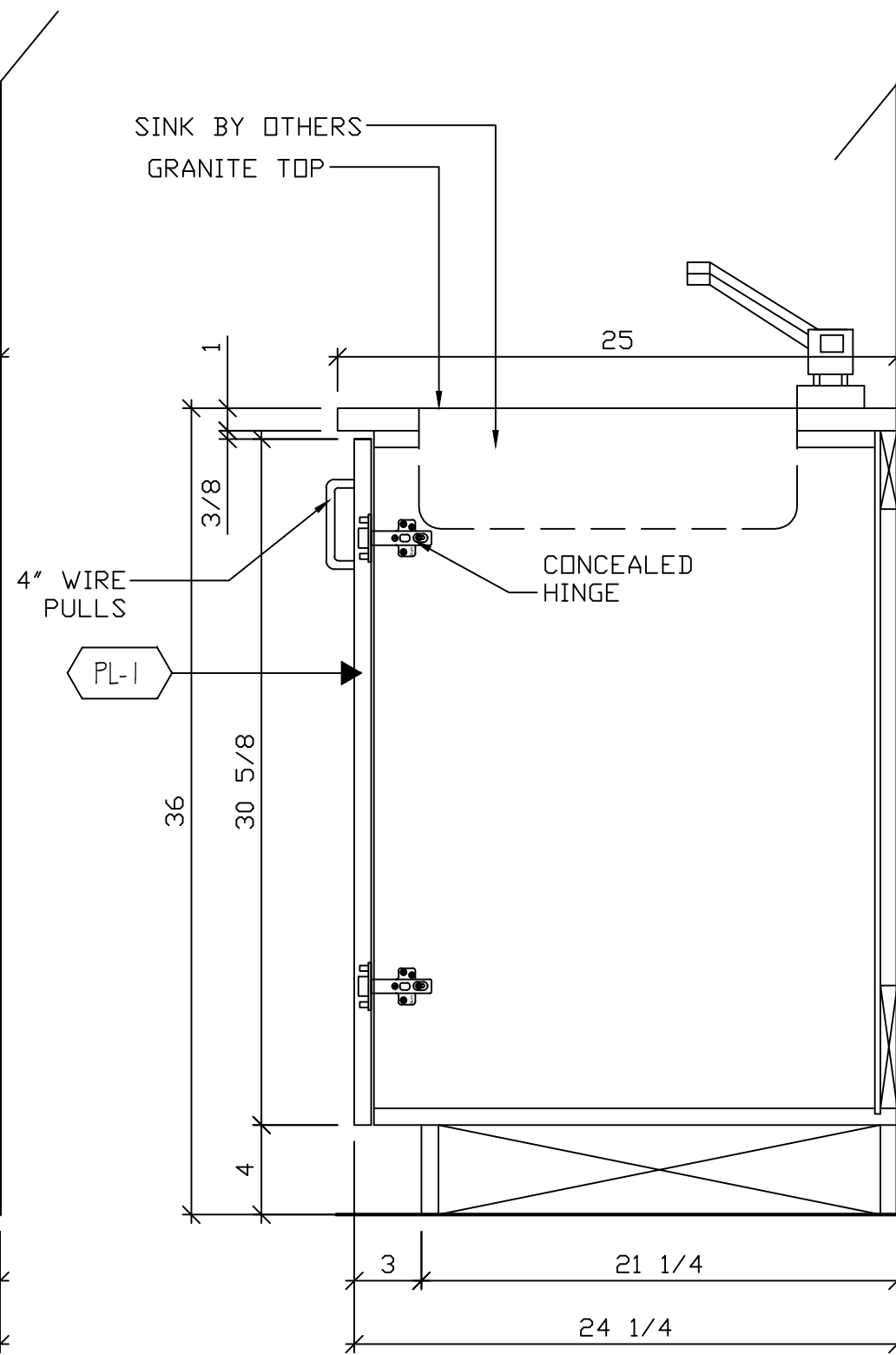


2 ELEVATION @ ISLAND COLOR BAR SIDE

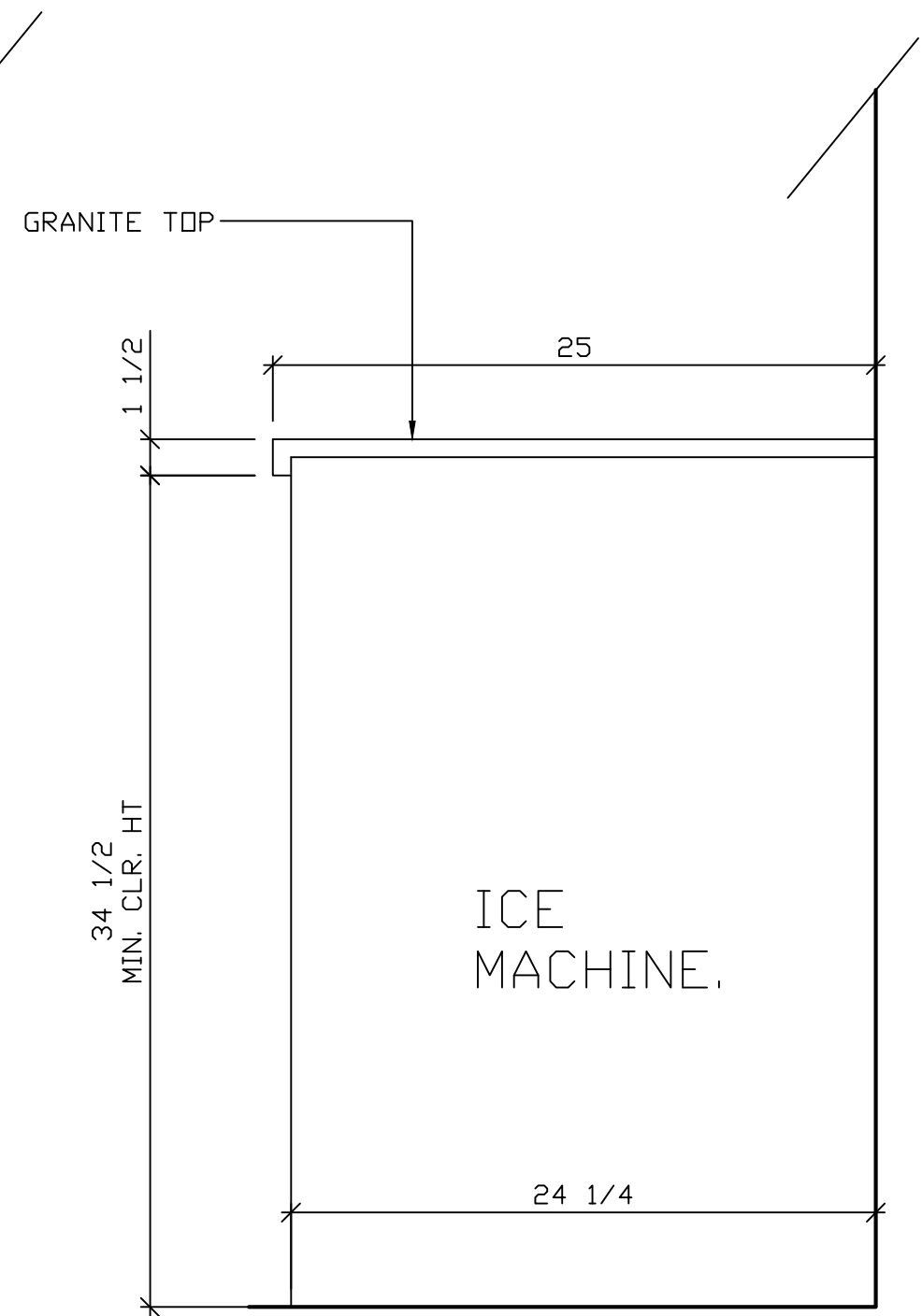
3/4"=1'-0" RM-102 ISLAND COLOR BAR SIDE
 ARCH REF. 03/A4.1 EXTERIOR PL-1: FORMICA 909-SP BLACK Sculpted Collection
 INTERIOR : 3/4" BLACK MELAMINE



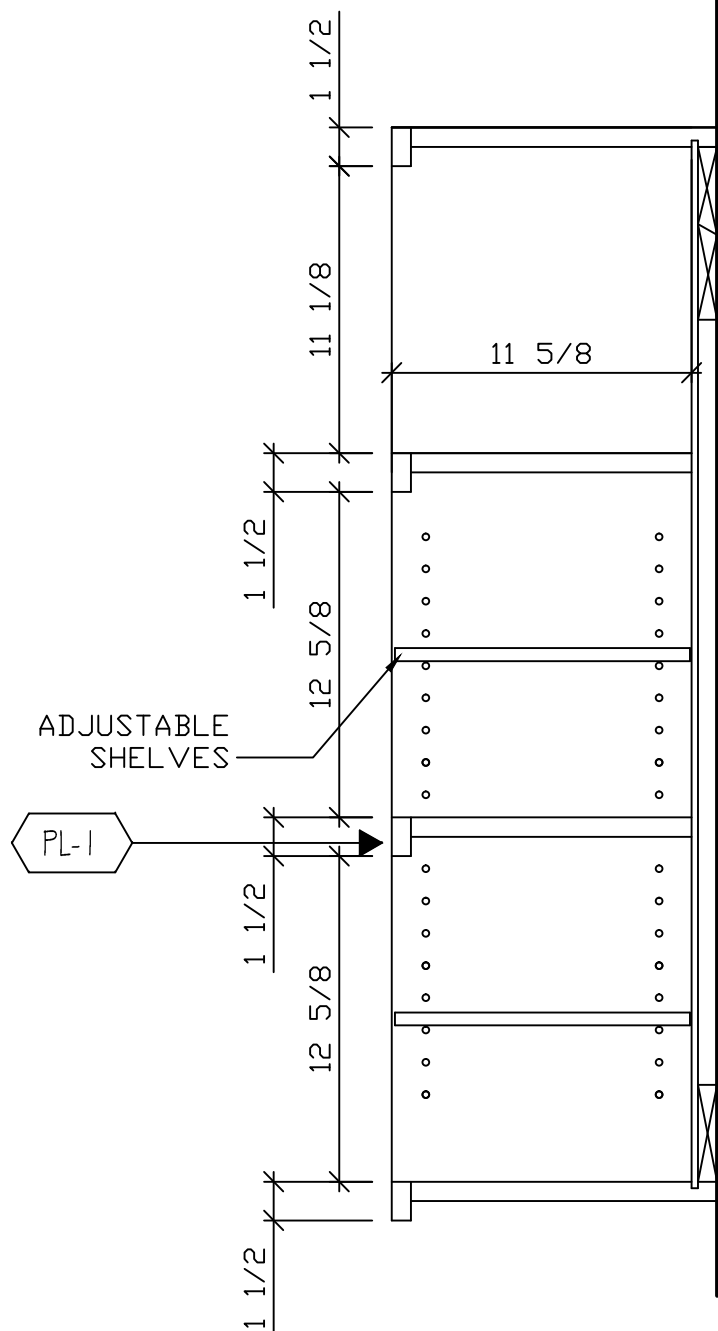
1 SECTION @ COLOR BAR DRAWERS
 1-1/2"=1'-0" COLOR BAR DISPLAY CENTER
 EXTERIOR PL-1: FORMICA 909-SP BLACK Sculpted Collection
 INTERIOR : 3/4" BLACK MELAMINE



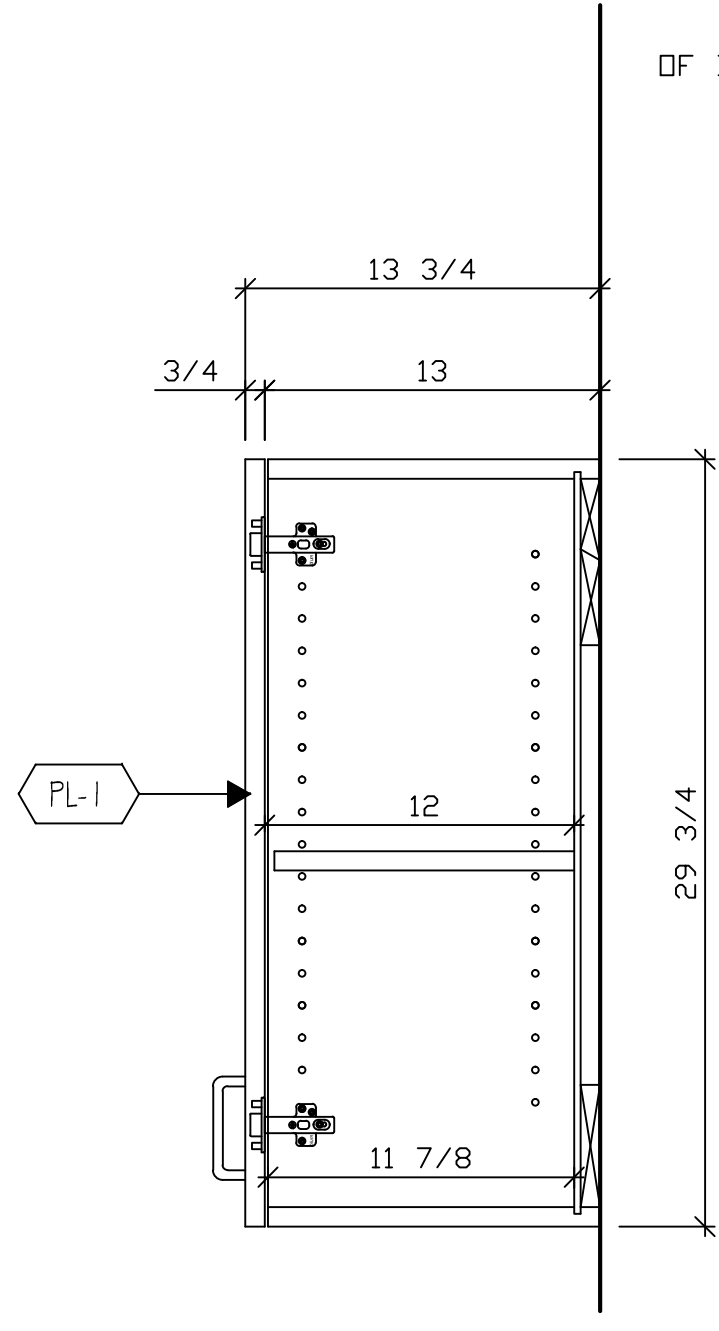
2 SECTION @ COLOR BAR SINK
 1-1/2"=1'-0" COLOR BAR DISPLAY CENTER
 EXTERIOR PL-1: FORMICA 909-SP BLACK Sculpted Collection
 INTERIOR : 3/4" BLACK MELAMINE



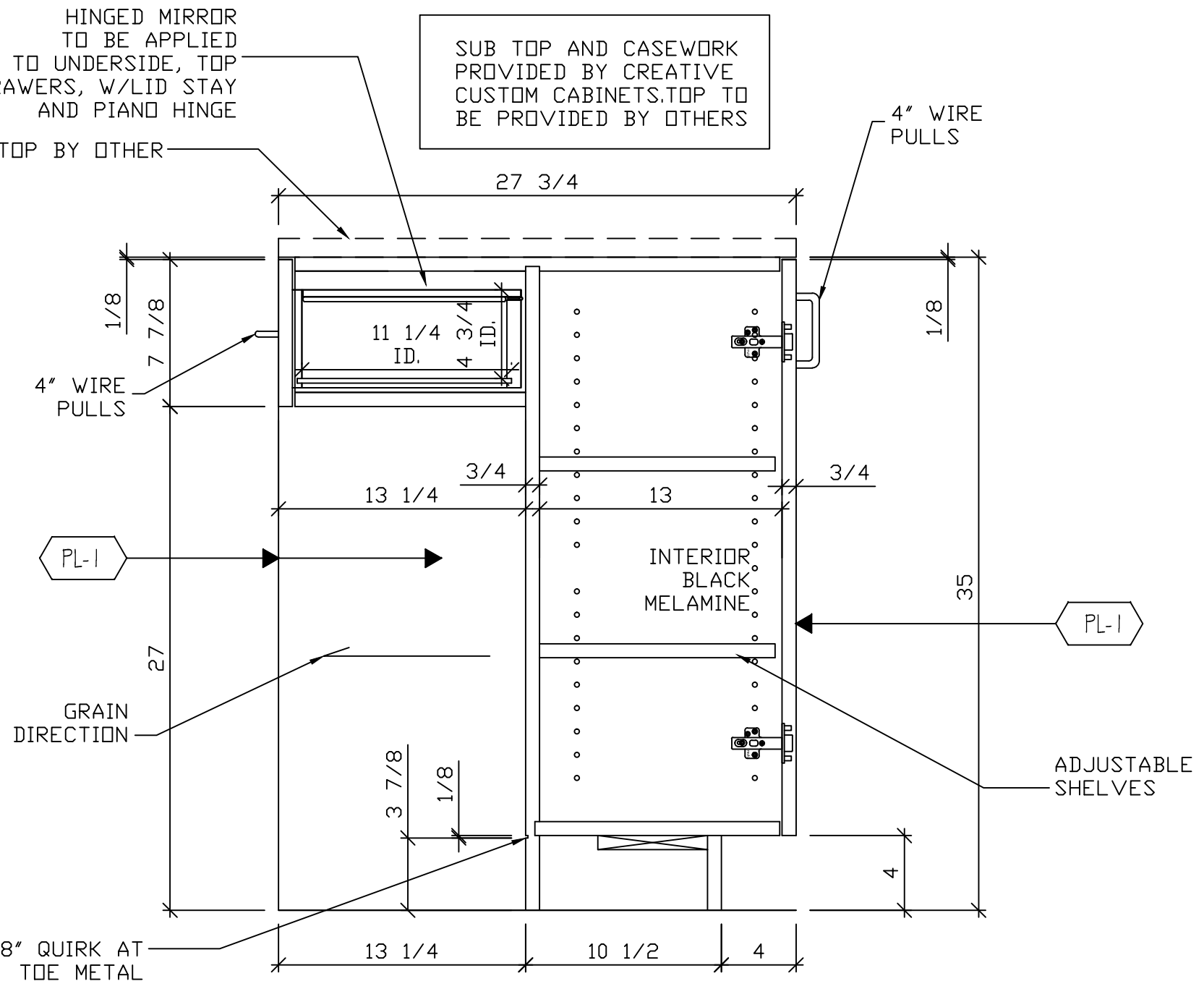
3 SECTION @ ICE MACHINE
 1-1/2"=1'-0" COLOR BAR DISPLAY CENTER
 EXTERIOR PL-1: FORMICA 909-SP BLACK Sculpted C
 INTERIOR : 3/4" BLACK MELAMINE



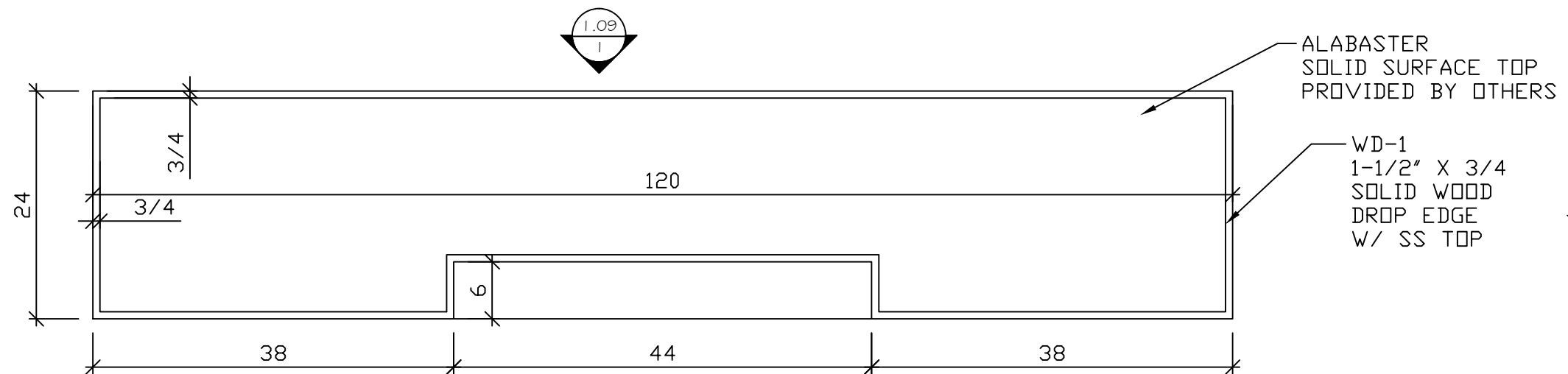
1 SECTION @ COLOR BAR UPPER
 1-1/2"=1'-0" COLOR BAR DISPLAY CENTER UPPER
 EXTERIOR PL-1: FORMICA 909-SP BLACK Sculpted Collection
 INTERIOR : 3/4" BLACK MELAMINE



2 SECTION @ ICE MACHINE UPPERS
 1-1/2"=1'-0" UPPERS
 EXTERIOR PL-1: FORMICA 909-SP BLACK Sculpted Collection
 INTERIOR : 3/4" BLACK MELAMINE

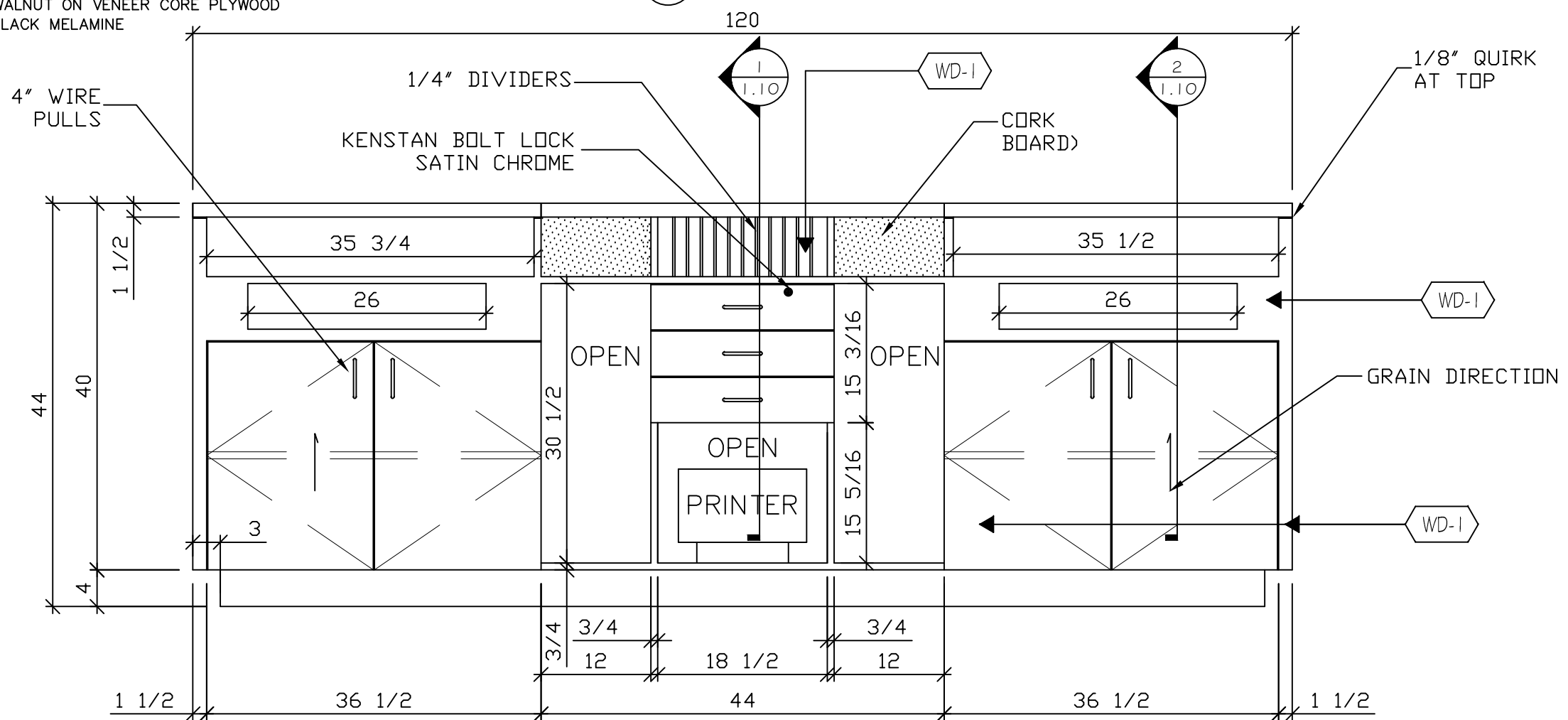


3 SECTION @ ISLAND
 1-1/2"=1'-0" ISLAND
 EXTERIOR PL-1: FORMICA 909-SP BLACK Sculpted Collection
 INTERIOR : 3/4" BLACK MELAMINE



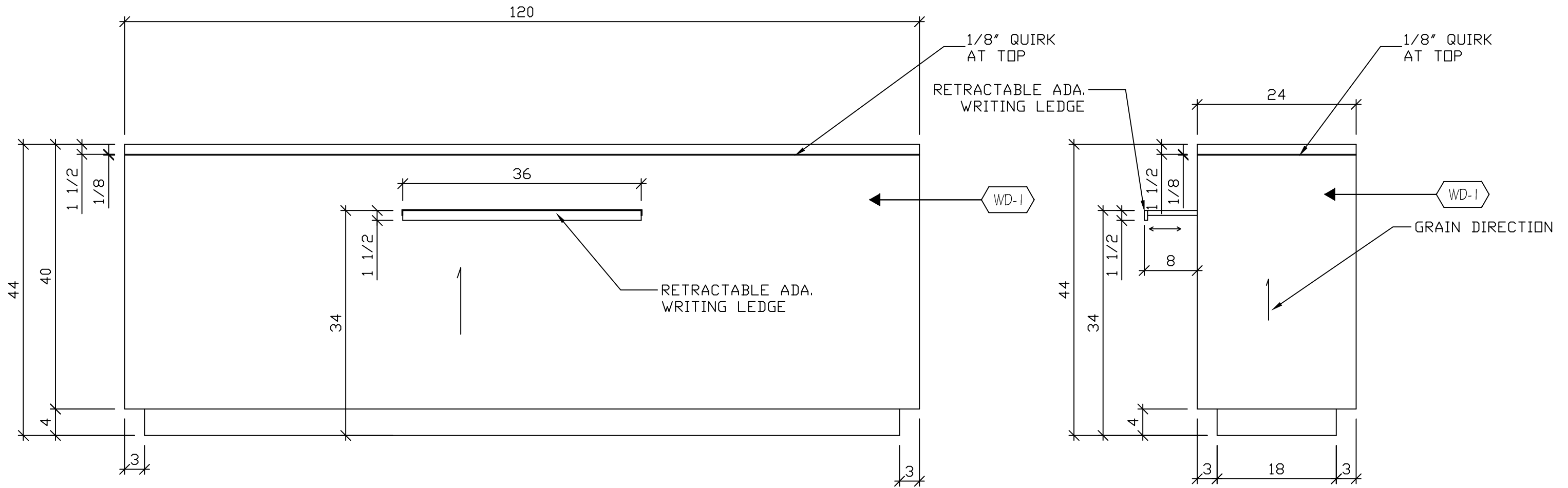
1 PLAN @ RECEPTION DESK

3/4"=1'-0" RM-101 RECEPTION DESK
ARCH REF. 14/A4.1 EXTERIOR WD-1: WALNUT ON VENEER CORE PLYWOOD
INTERIOR : 3/4" BLACK MELAMINE



2 ELEVATION @ RECEPTION DESK

3/4"=1'-0" RM-101 RECEPTION DESK
ARCH REF. 14/A4.1 EXTERIOR WD-1: WALNUT ON VENEER CORE PLYWOOD
INTERIOR : 3/4" BLACK MELAMINE



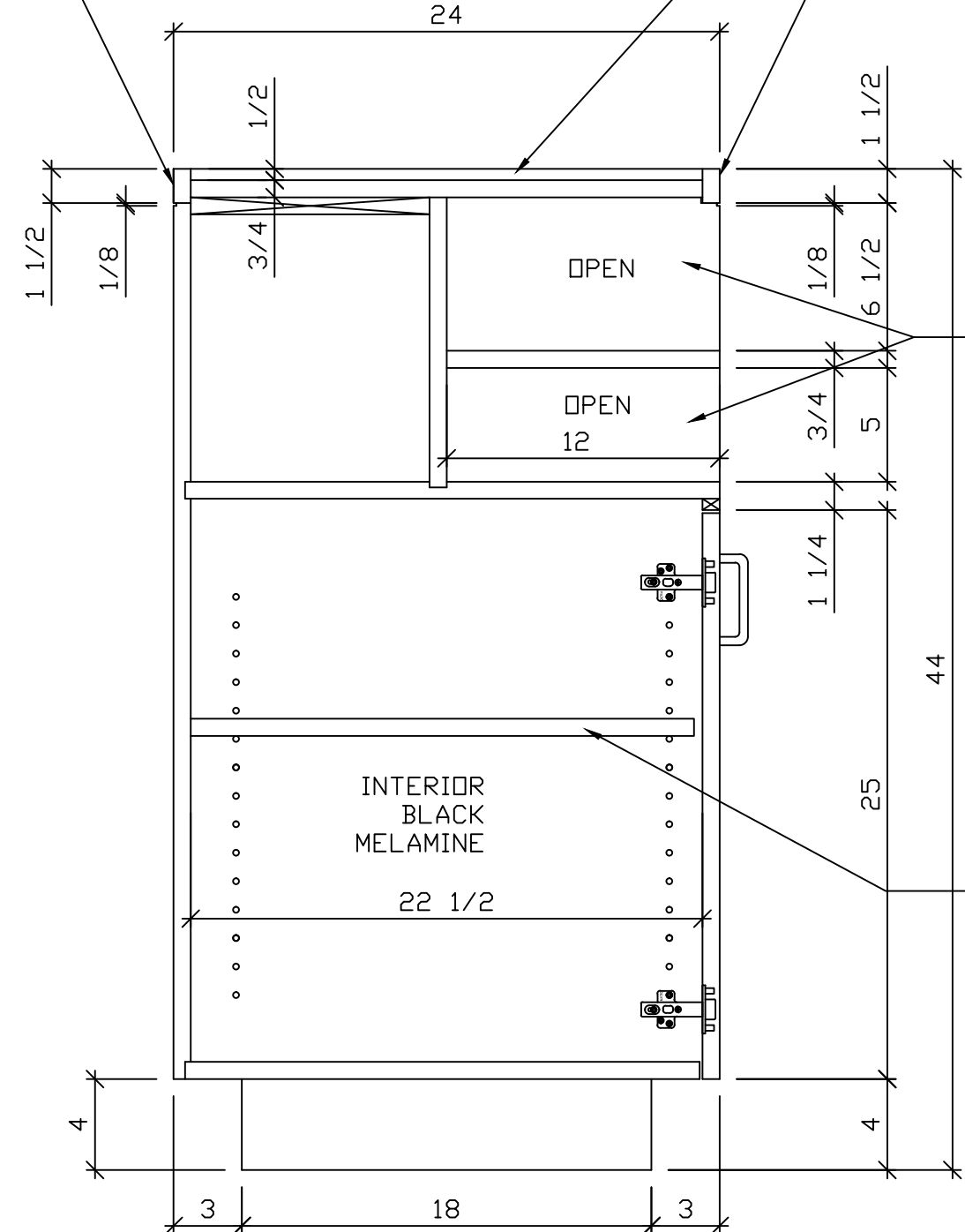
① ELEVATION @ RECEPTION DESK

3/4"=1'-0" RM-101 RECEPTION DESK
 EXTERIOR WD-1: WALNUT ON VENEER CORE PLYWOOD
 ARCH REF. 14/A4.1 INTERIOR : 3/4" BLACK MELAMINE

② END VIEW @ RECEPTION DESK

3/4"=1'-0" RM-101 RECEPTION DESK
 EXTERIOR WD-1: WALNUT ON VENEER CORE PLYWOOD
 INTERIOR : 3/4" BLACK MELAMINE

1-1/2" X 3/4
DROP EDGE



1 SECTION @ RECEPTION DESK
 1-1/2"=1'-0" RM-101 RECEPTION DESK
 EXTERIOR WD-1: WALNUT ON VENEER CORE PLYWOOD
 INTERIOR : 3/4" BLACK MELAMINE

ALABASTER
SOLID SURFACE TOP
PROVIDED BY OTHERS

1-1/2" X 3/4
SOLID WOOD
DROP EDGE

1-1/2" X 3/4
DROP EDGE

RETRACTABLE ADA
WRITING LEDGE

INTERIOR
BLACK
MELAMINE
AT OPEN AREAS

1/2 ROUND COVE
FINGER PULL

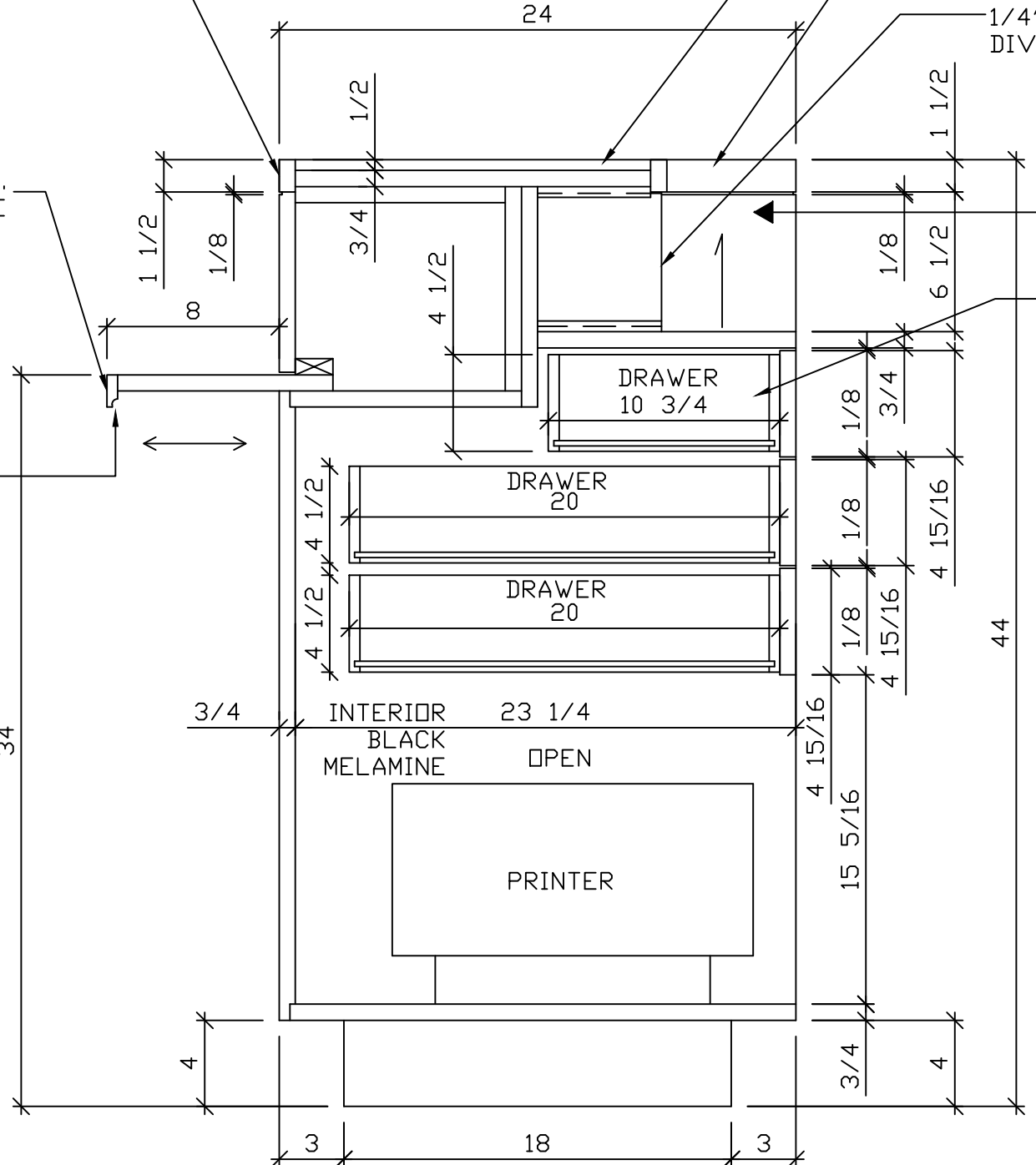
ADJUSTABLE
SHELF

ALABASTER
SOLID SURFACE TOP
PROVIDED BY OTHERS

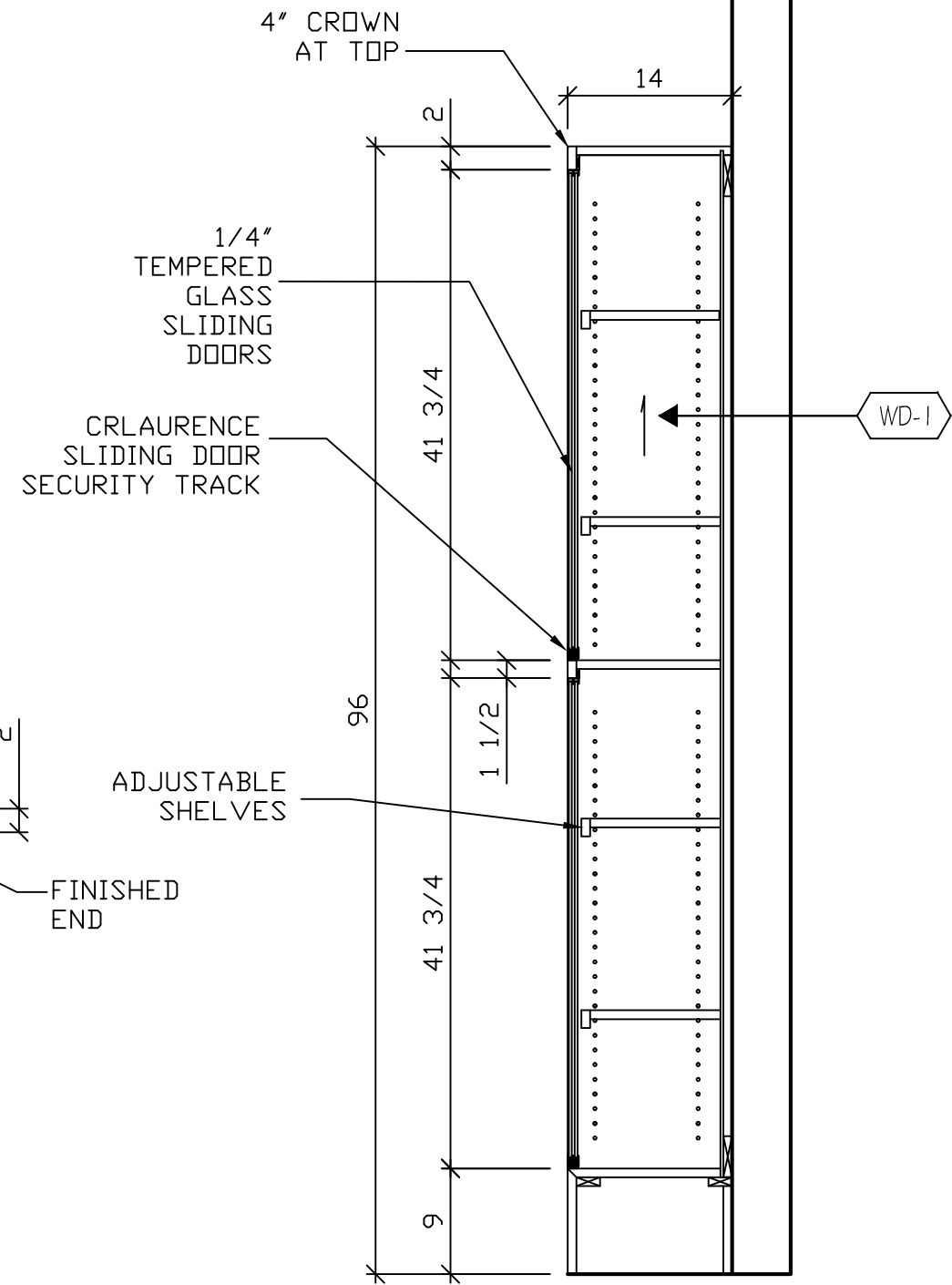
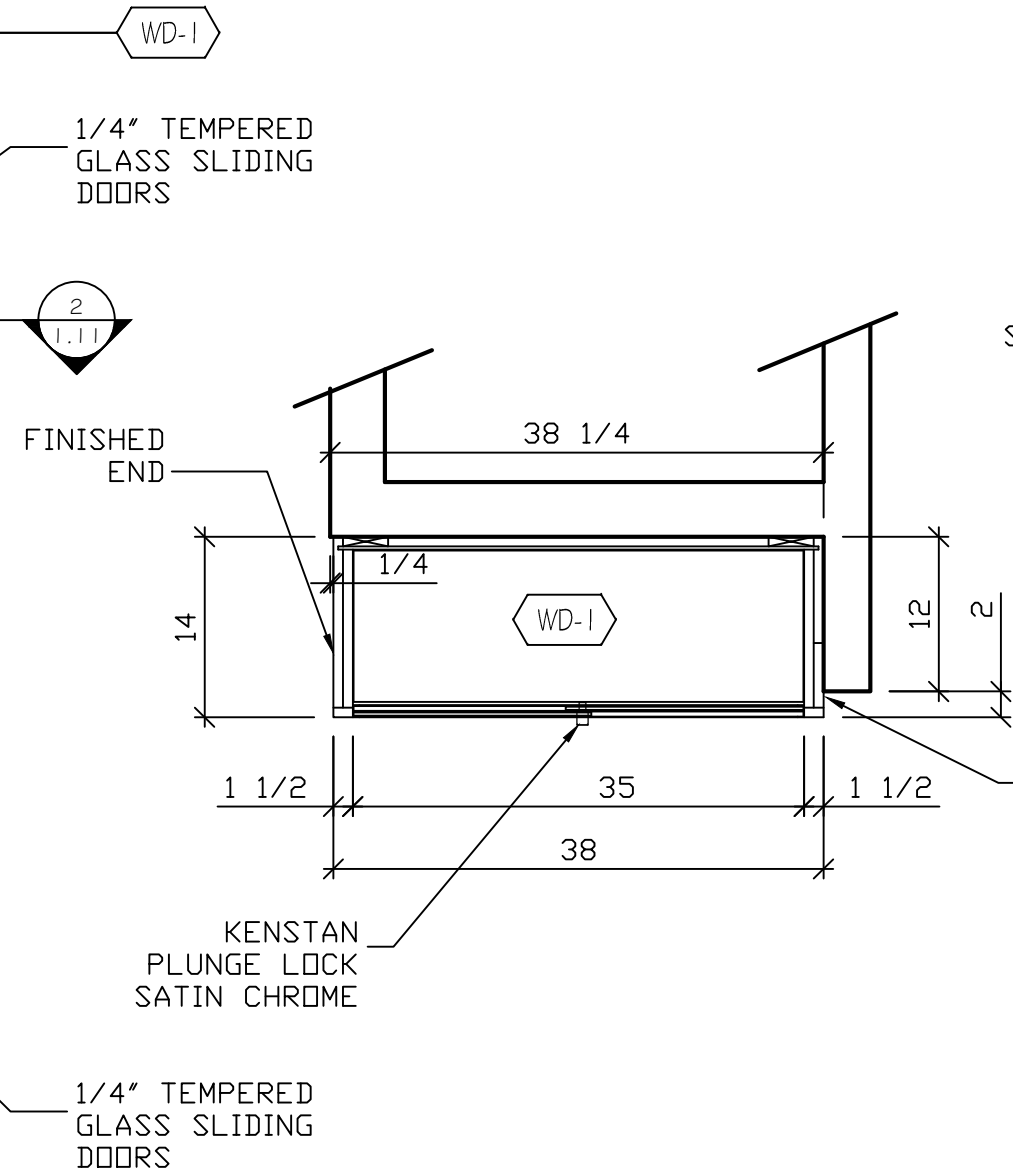
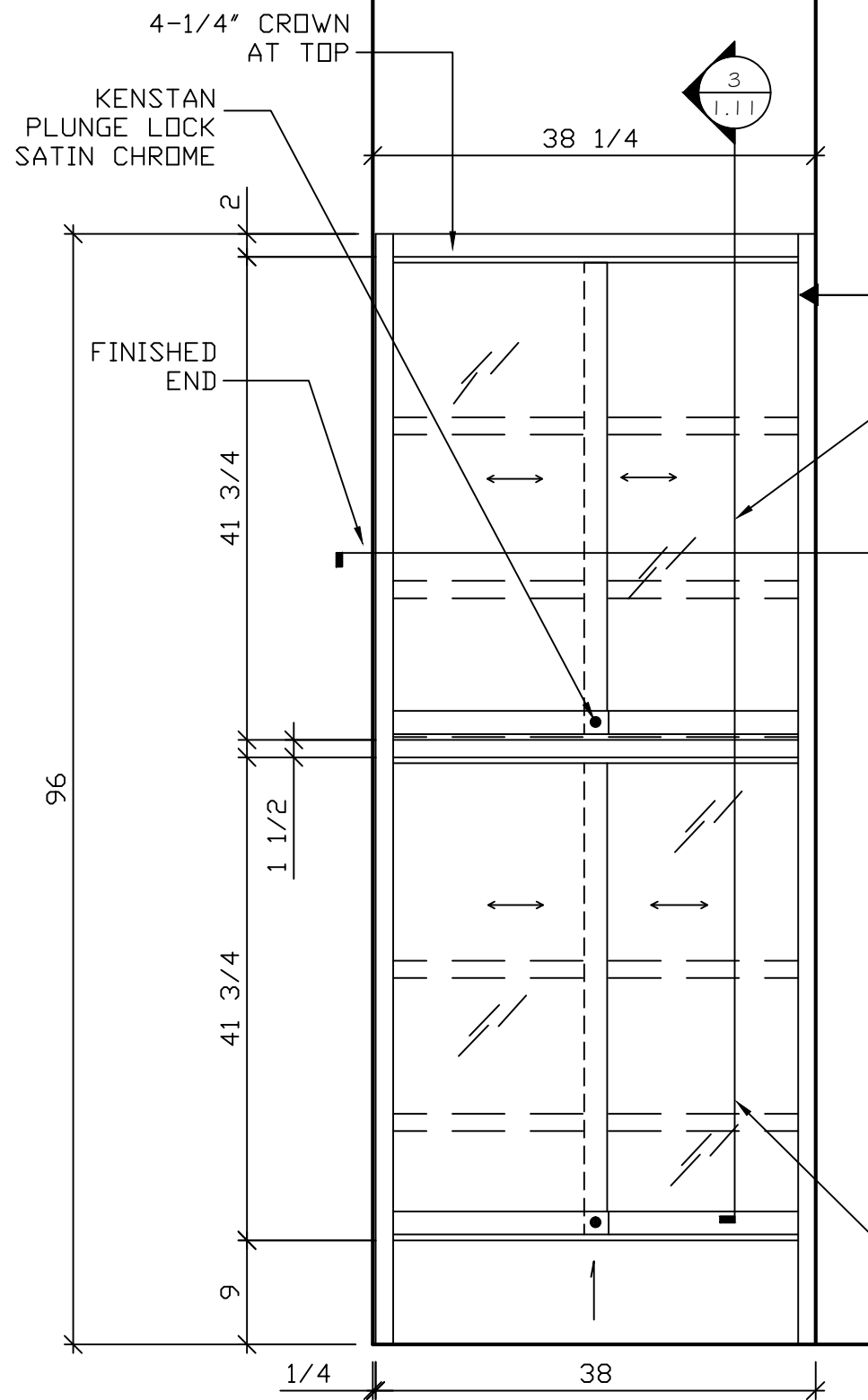
WD-1
1-1/2" X 3/4
SOLID WOOD
DROP EDGE

BLACK MELAMINE
1/4"
DIVIDERS

WD-1
1/2" VENEER CORE,
PLYWOOD
DRAWER BOX
CLEAR COAT FIN.



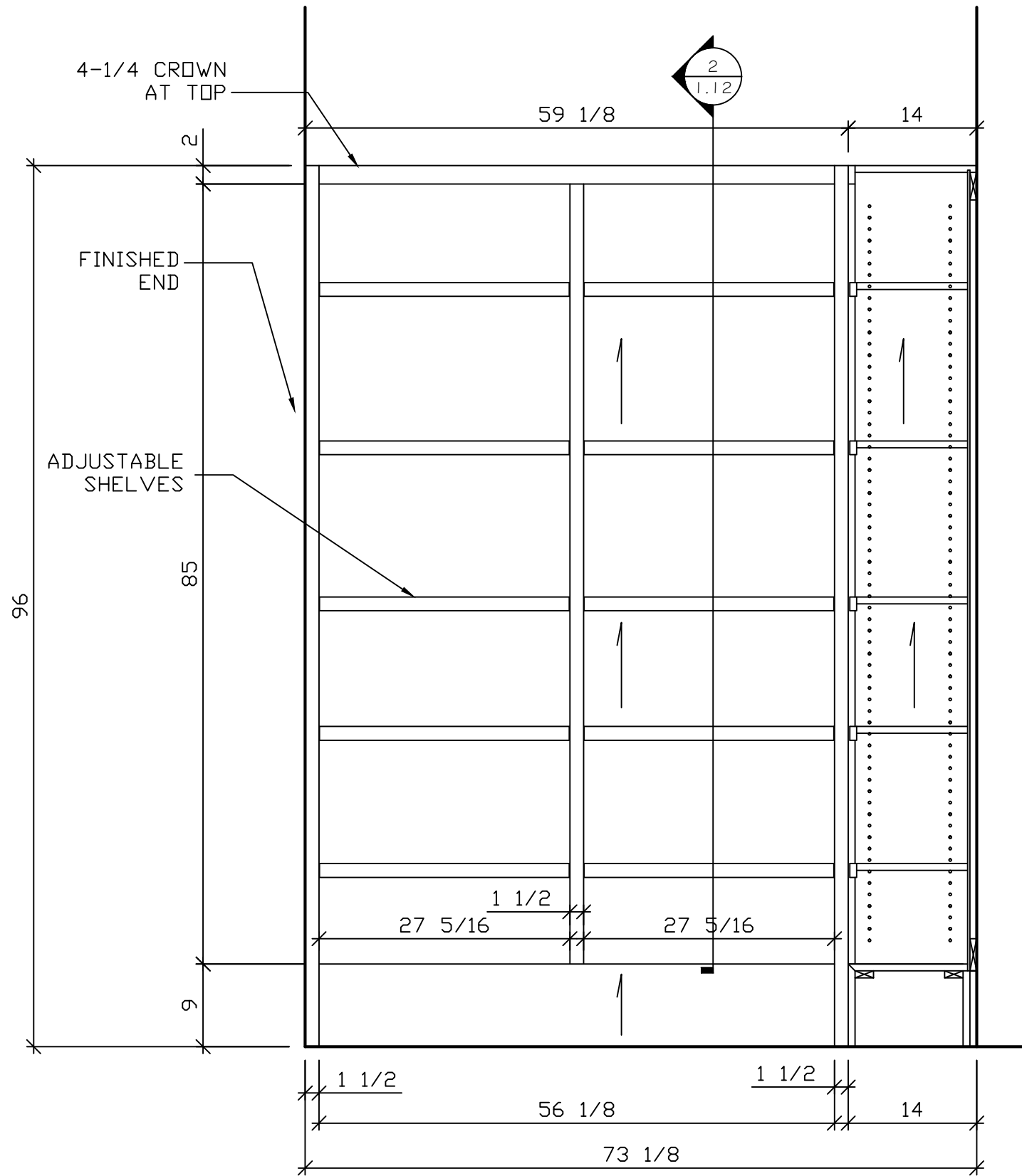
2 SECTION @ RECEPTION DESK
 1-1/2"=1'-0" RM-101 RECEPTION DESK
 EXTERIOR WD-1: WALNUT ON VENEER CORE PLYWOOD
 INTERIOR : 3/4" BLACK MELAMINE



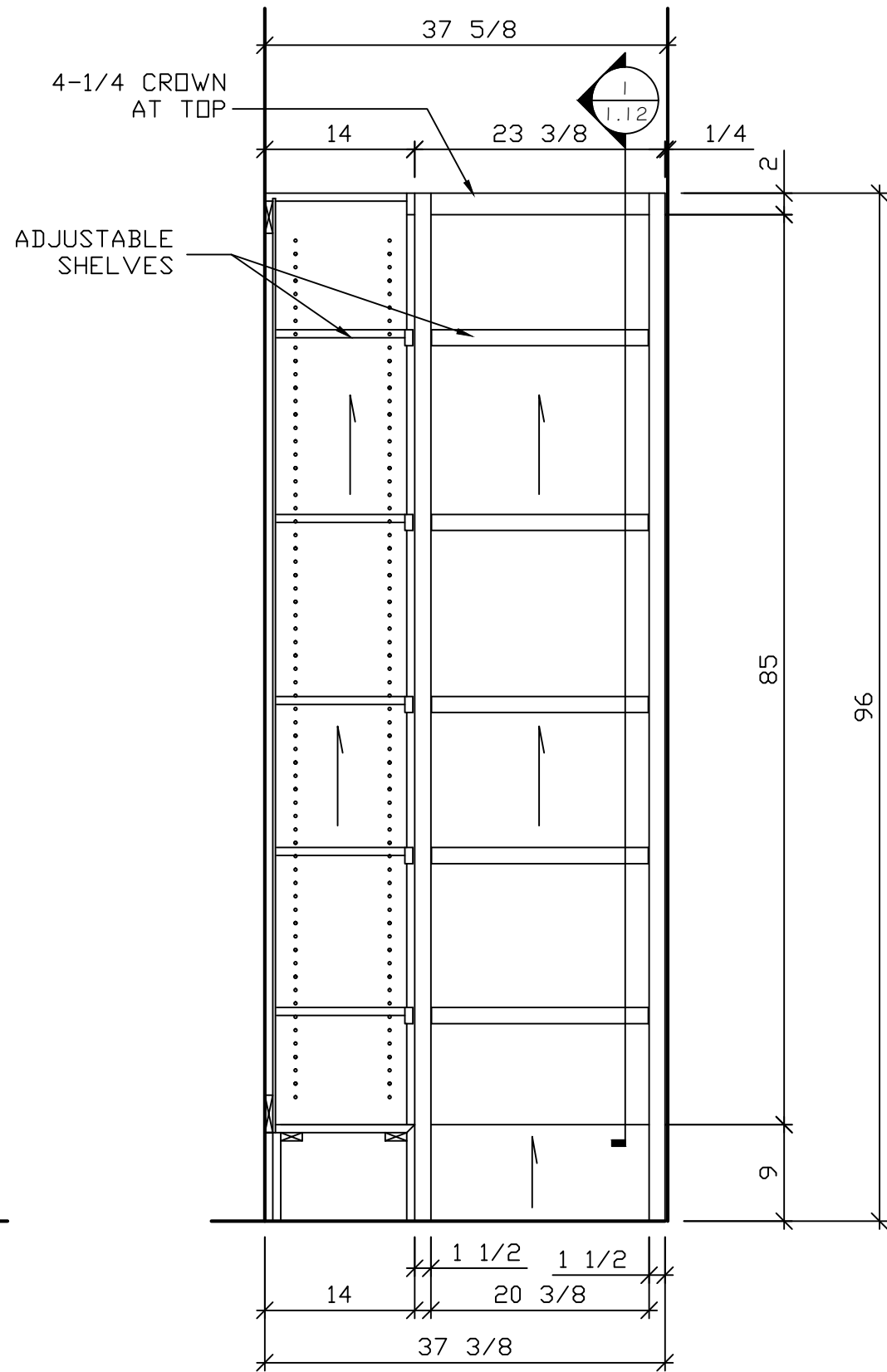
1 ELEVATION @ SMALL DISPLAY
 3/4"=1'-0" SMALL DISPLAY
 EXTERIOR WD-1: WALNUT ON VENEER CORE PLYWOOD
 INTERIOR : WD-1: WALNUT ON VENEER CORE PLYWOOD
 ARCH REF. 8/A3.2

2 PLAN SEC. @ SMALL DISPLAY
 3/4"=1'-0" SMALL DISPLAY
 EXTERIOR WD-1: WALNUT ON VENEER CORE PLYWOOD
 INTERIOR : WD-1: WALNUT ON VENEER CORE PLYWOOD

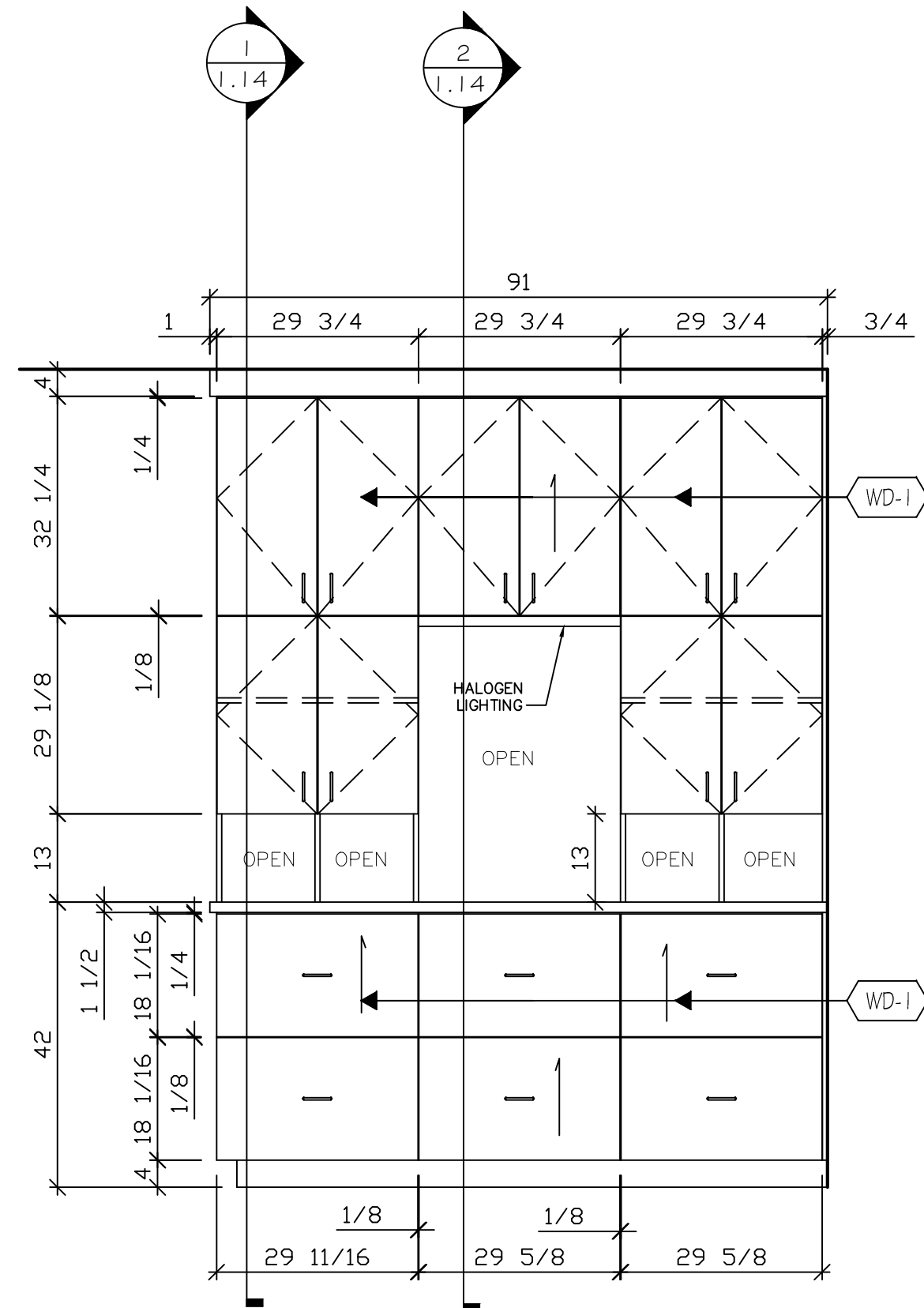
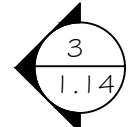
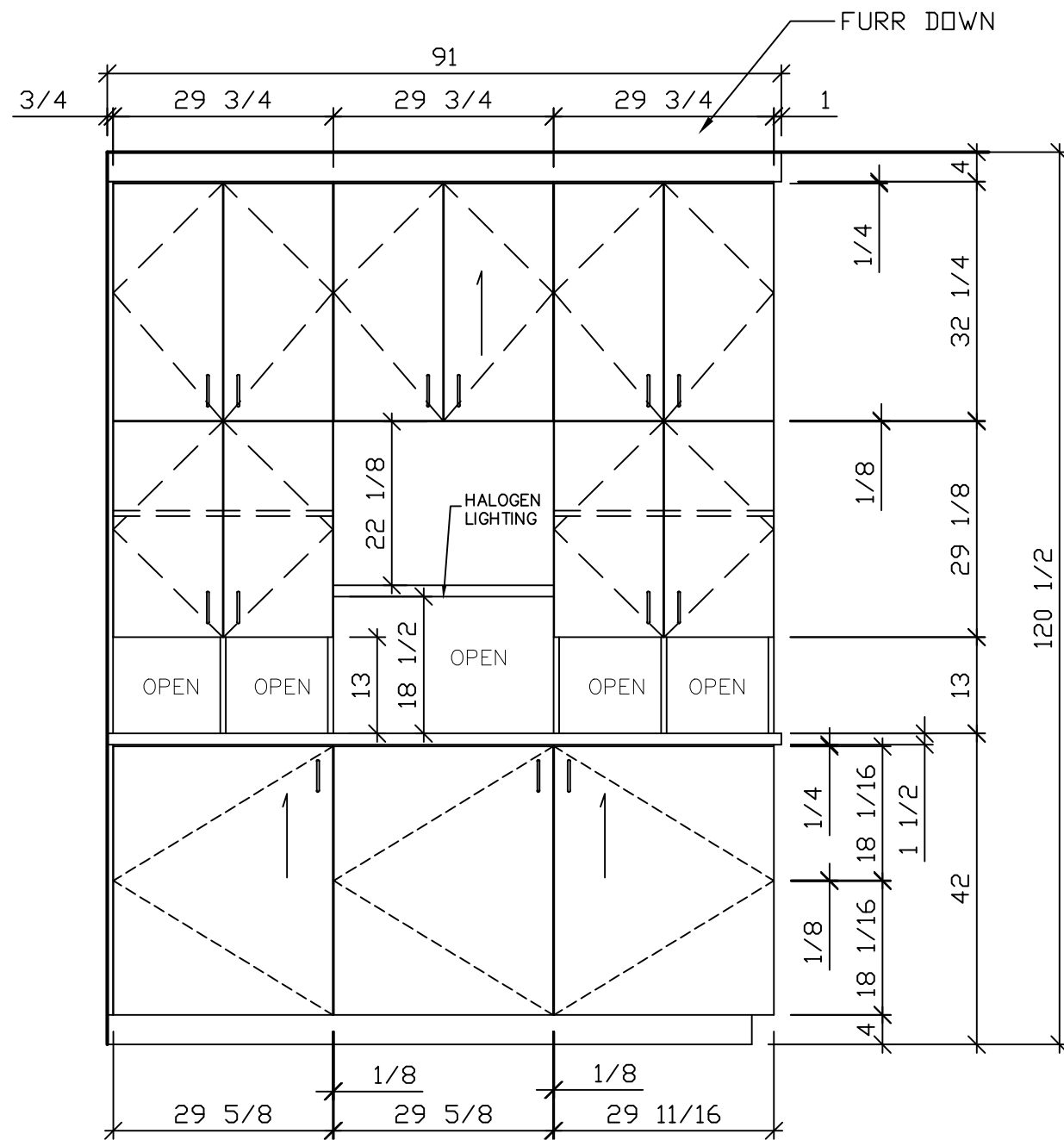
3 SECTION @ SMALL DISPLAY
 3/4"=1'-0" SMALL DISPLAY
 EXTERIOR WD-1: WALNUT ON VENEER CORE PLYWOOD
 INTERIOR : WD-1: WALNUT ON VENEER CORE PLYWOOD



1 ELEVATION @ LARGE DISPLAY
 3/4"=1'-0" SMALL DISPLAY
 ARCH REF. 8/A3.2 EXTERIOR WD-1: WALNUT ON VENEER CORE PLYWOOD
 INTERIOR : WD-1: WALNUT ON VENEER CORE PLYWOOD

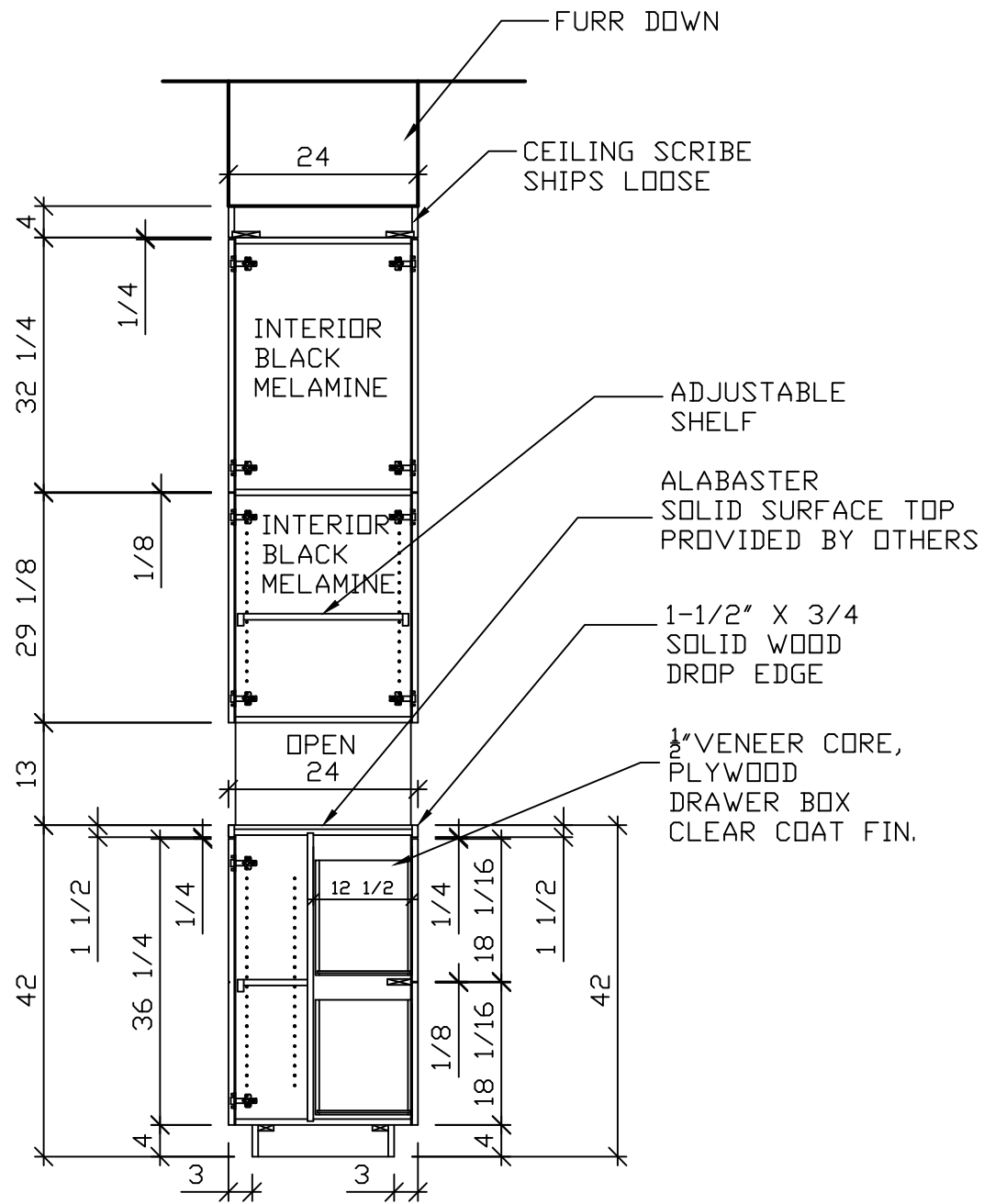


2 ELEVATION @ LARGE DISPLAY
 3/4"=1'-0" SMALL DISPLAY
 ARCH REF. 7/A3.2 EXTERIOR WD-1: WALNUT ON VENEER CORE PLYWOOD
 INTERIOR : WD-1: WALNUT ON VENEER CORE PLYWOOD

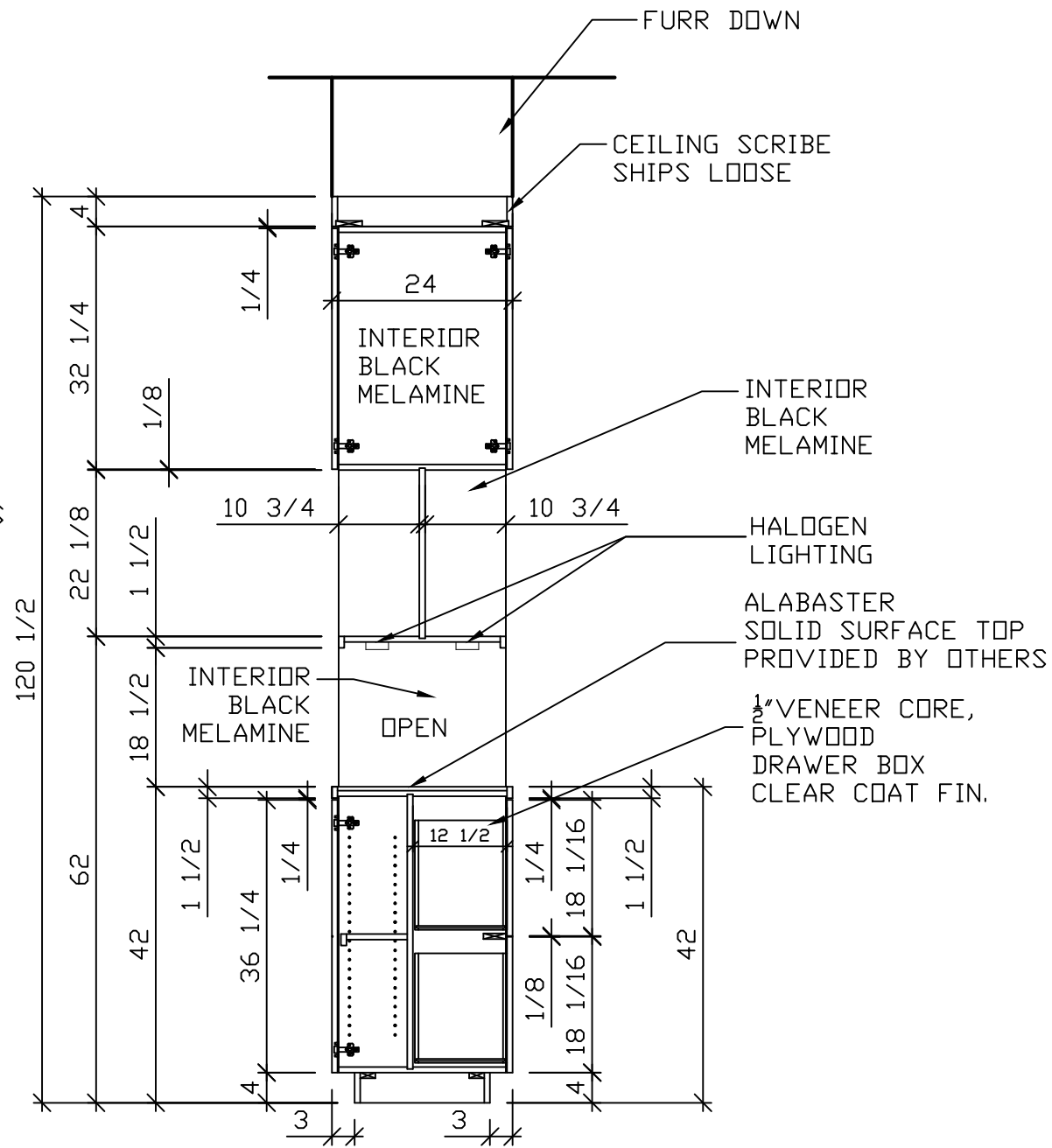


1 ELEVATION @ HAIR WASH
 1/2"=1'-0" RM. 105 HAIR WASH
 EXTERIOR WD-1: WALNUT ON VENEER CORE PLYWOOD
 ARCH REF. 11/A4.1 O.H. INTERIOR : 3/4" BLACK MELAMINE

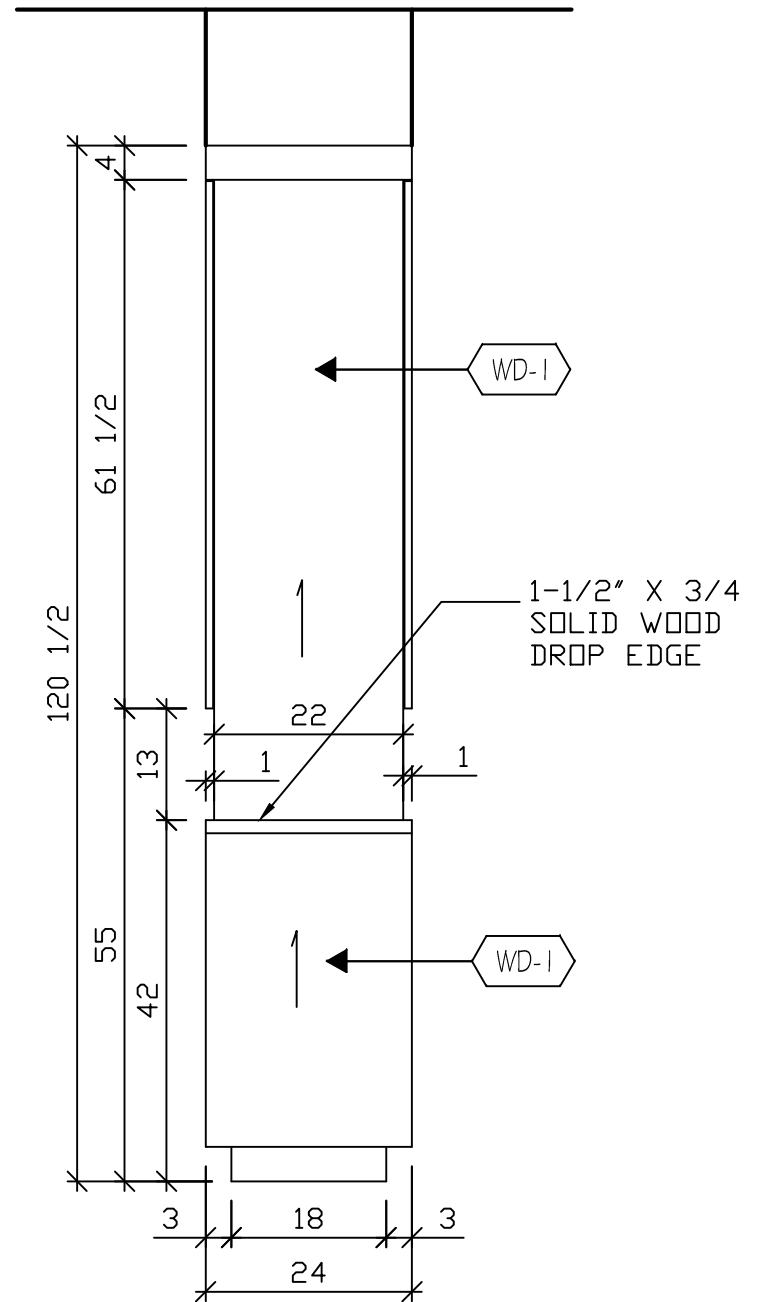
2 ELEVATION @ HAIR WASH
 1/2"=1'-0" RM. 105 HAIR WASH
 EXTERIOR WD-1: WALNUT ON VENEER CORE PLYWOOD
 ARCH REF. 11/A4.1 INTERIOR : 3/4" BLACK MELAMINE



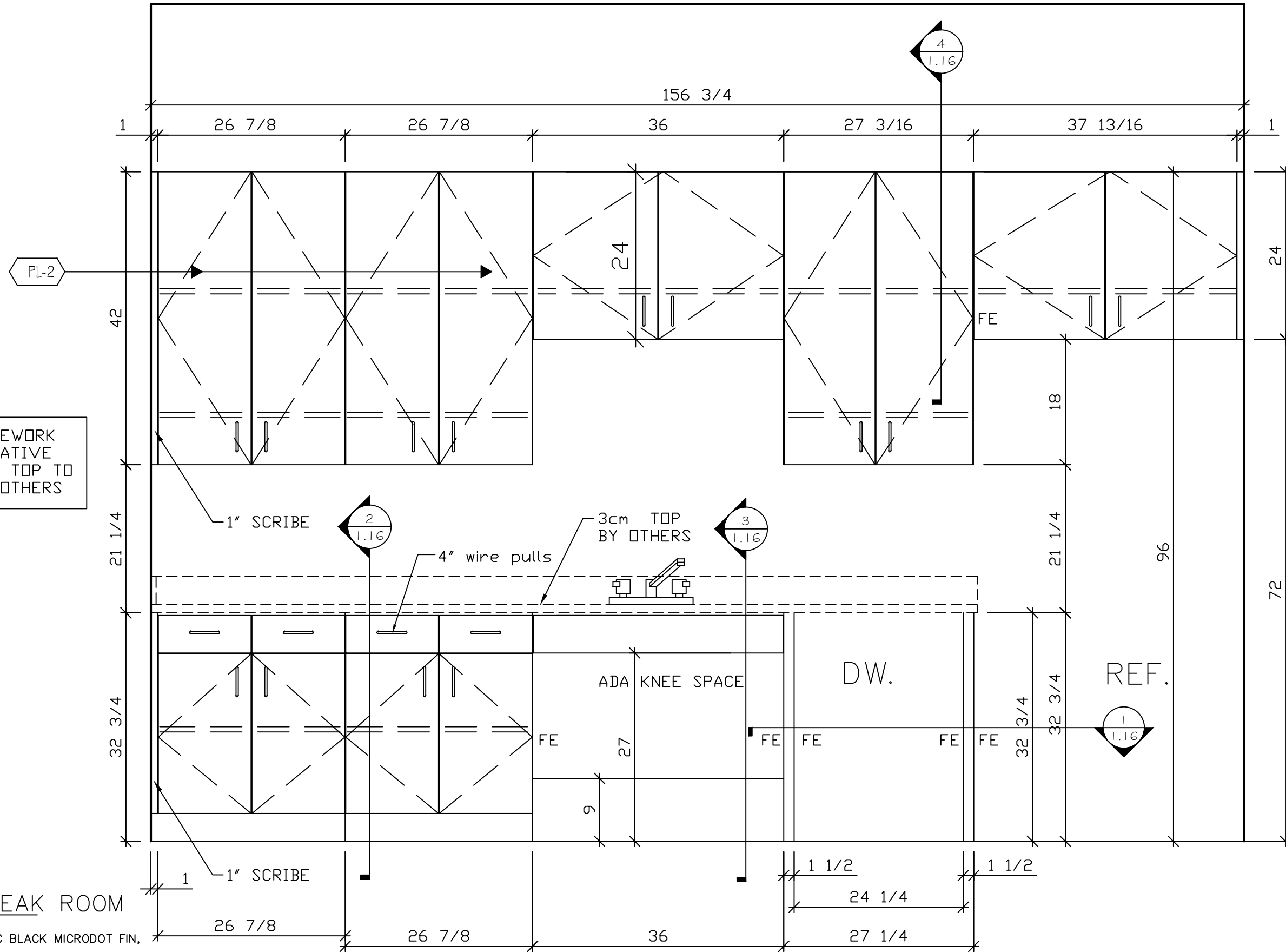
1 SECTION @ HAIR WASH
 1/2"=1'-0" RM. 105 HAIR WASH
 ARCH REF. 11/A4.1 O.H. EXTERIOR WD-1: WALNUT ON VENEER CORE PLYWOOD
 INTERIOR : 3/4" BLACK MELAMINE



2 SECTION @ HAIR WASH
 1/2"=1'-0" RM. 105 HAIR WASH
 ARCH REF. 11/A4.1 O.H. EXTERIOR WD-1: WALNUT ON VENEER CORE PLYWOOD
 INTERIOR : 3/4" BLACK MELAMINE



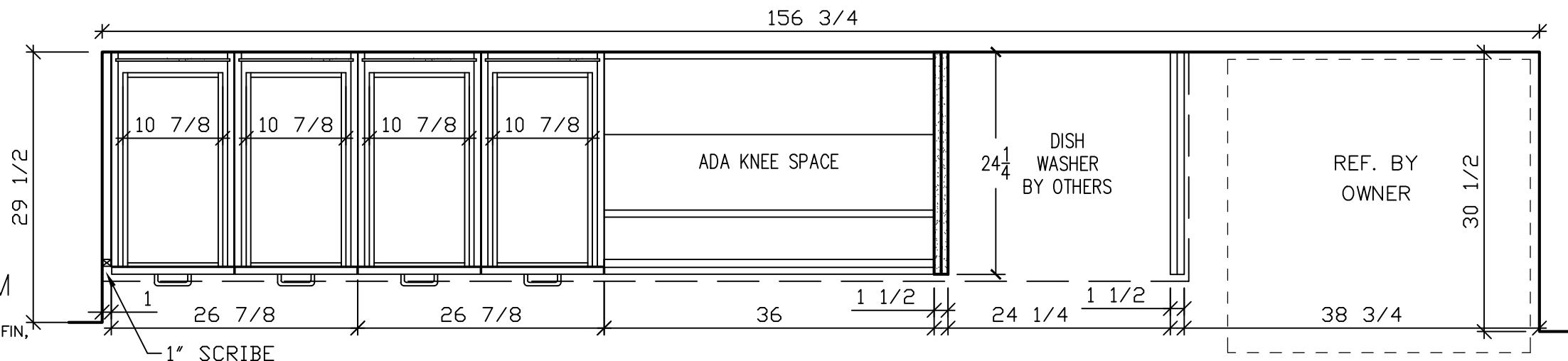
3 END VIEW @ HAIR WASH
 1/2"=1'-0" RM. 105 HAIR WASH
 ARCH REF. 11/A4.1 O.H. EXTERIOR WD-1: WALNUT ON VENEER CORE PLYWOOD
 INTERIOR : 3/4" BLACK MELAMINE



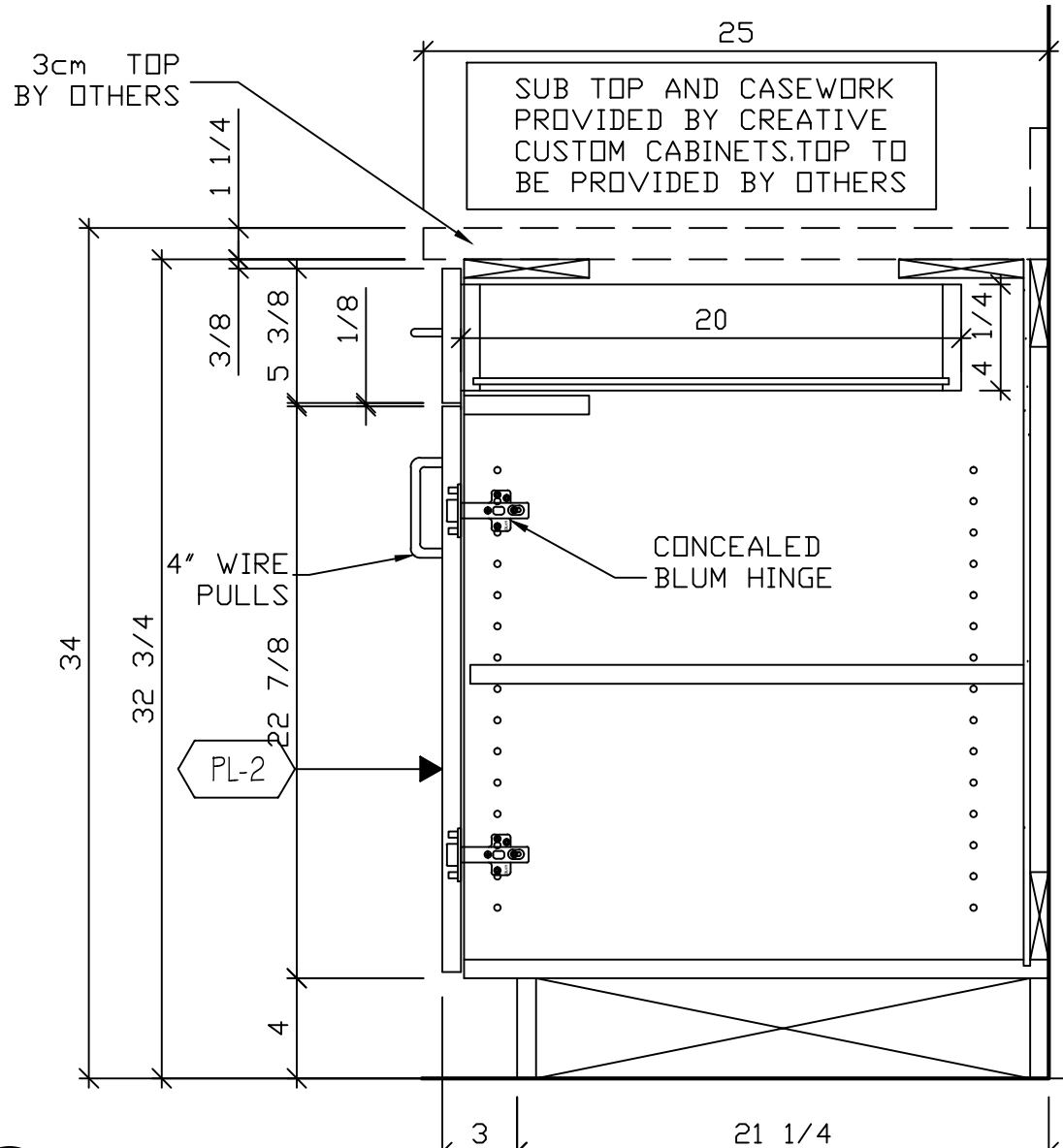
SUB TOP AND CASEWORK PROVIDED BY CREATIVE CUSTOM CABINETS. TOP TO BE PROVIDED BY OTHERS

1 ELEVATION @ RM 114 BREAK ROOM
 3/4"=1'-0" BREAK ROOM
 EXTERIOR PL-2: FORMICA 909-MC BLACK MICRODOT FIN,
 ARCH REF. 02/A3.2 INTERIOR : 3/4" BLACK MELAMINE

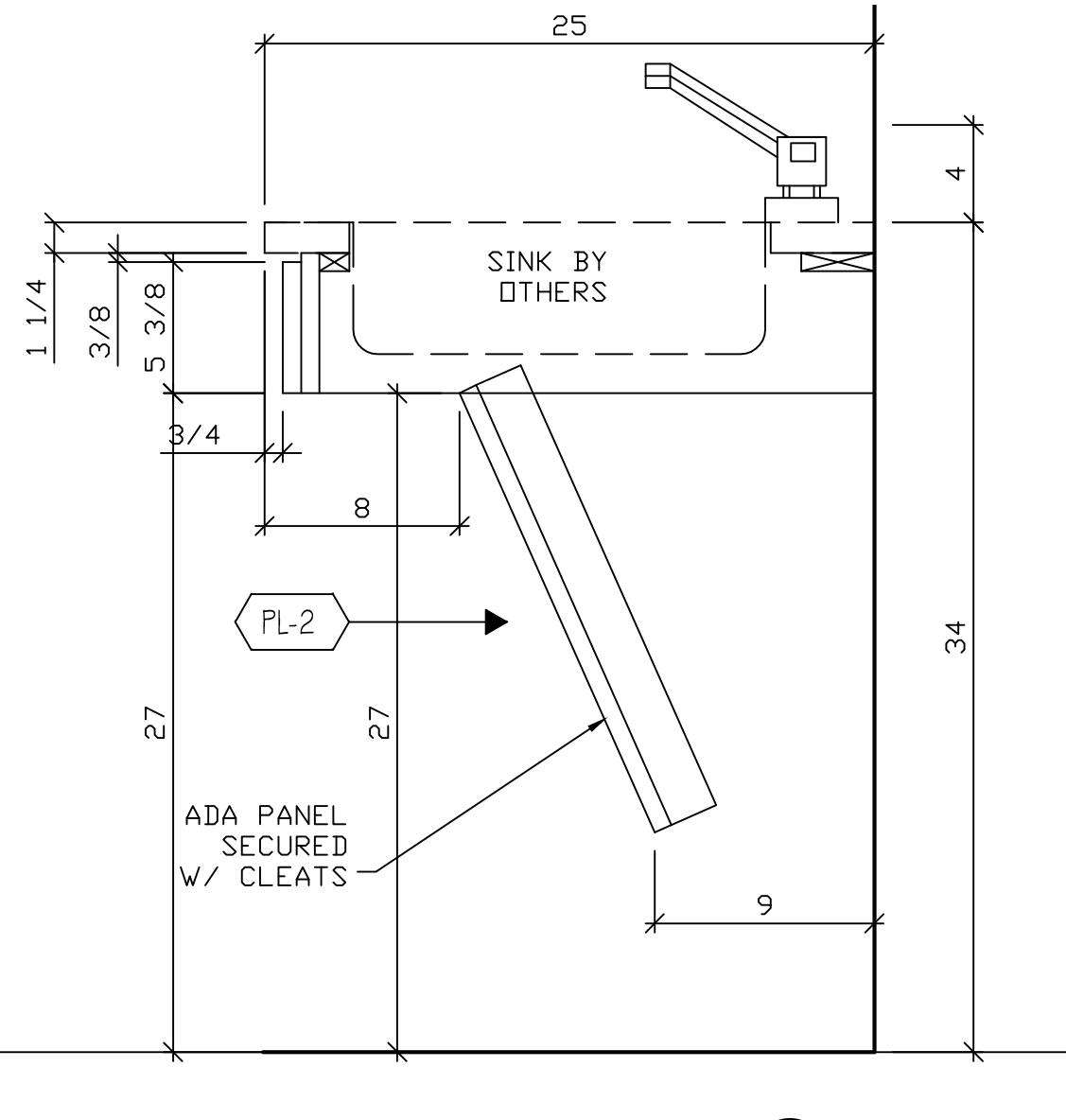
1 PLAN SEC. @ RM 114 BREAK ROOM
 3/4"=1'-0" BREAK ROOM
 EXTERIOR PL-2: FORMICA 909-MC BLACK MICRODOT FIN,
 ARCH REF. 02/A3.2 INTERIOR : 3/4" WHITE MELAMINE



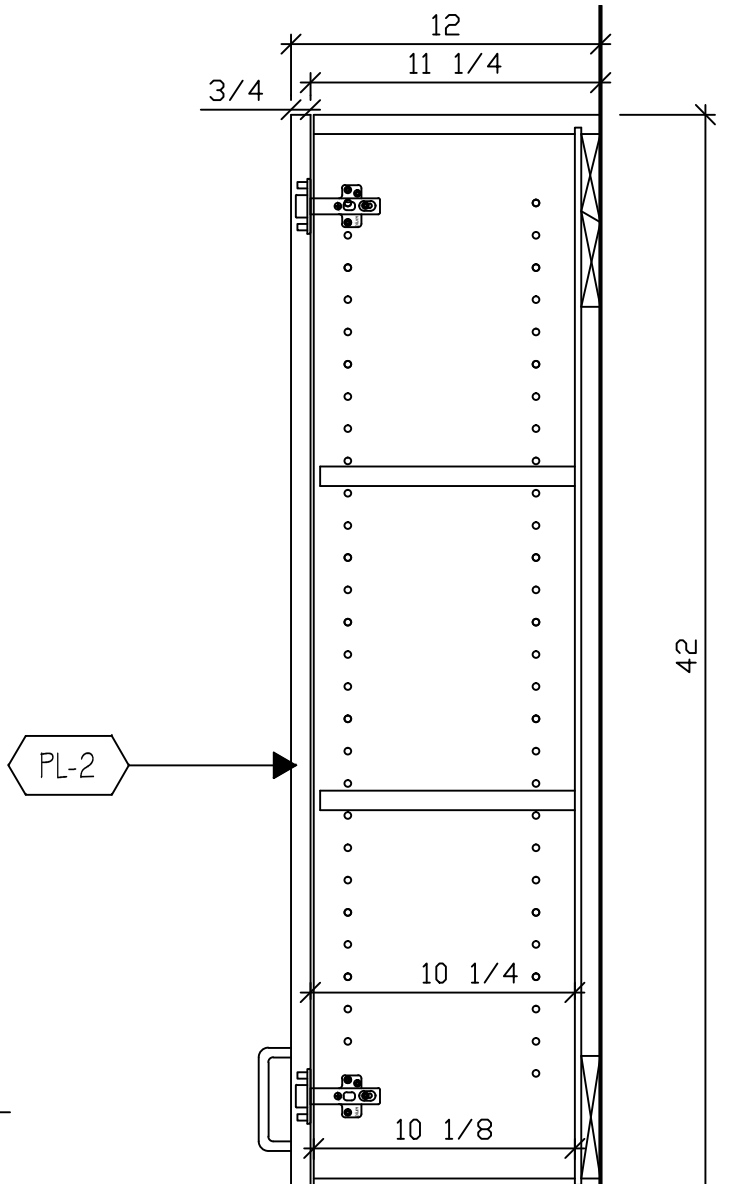
2 SECTION @ BREAK ROOM
 1-1/2"=1'-0" BREAK ROOM
 EXTERIOR PL-2: FORMICA 909-MC BLACK MICRODOT FIN,
 INTERIOR : 3/4" WHITE MELAMINE

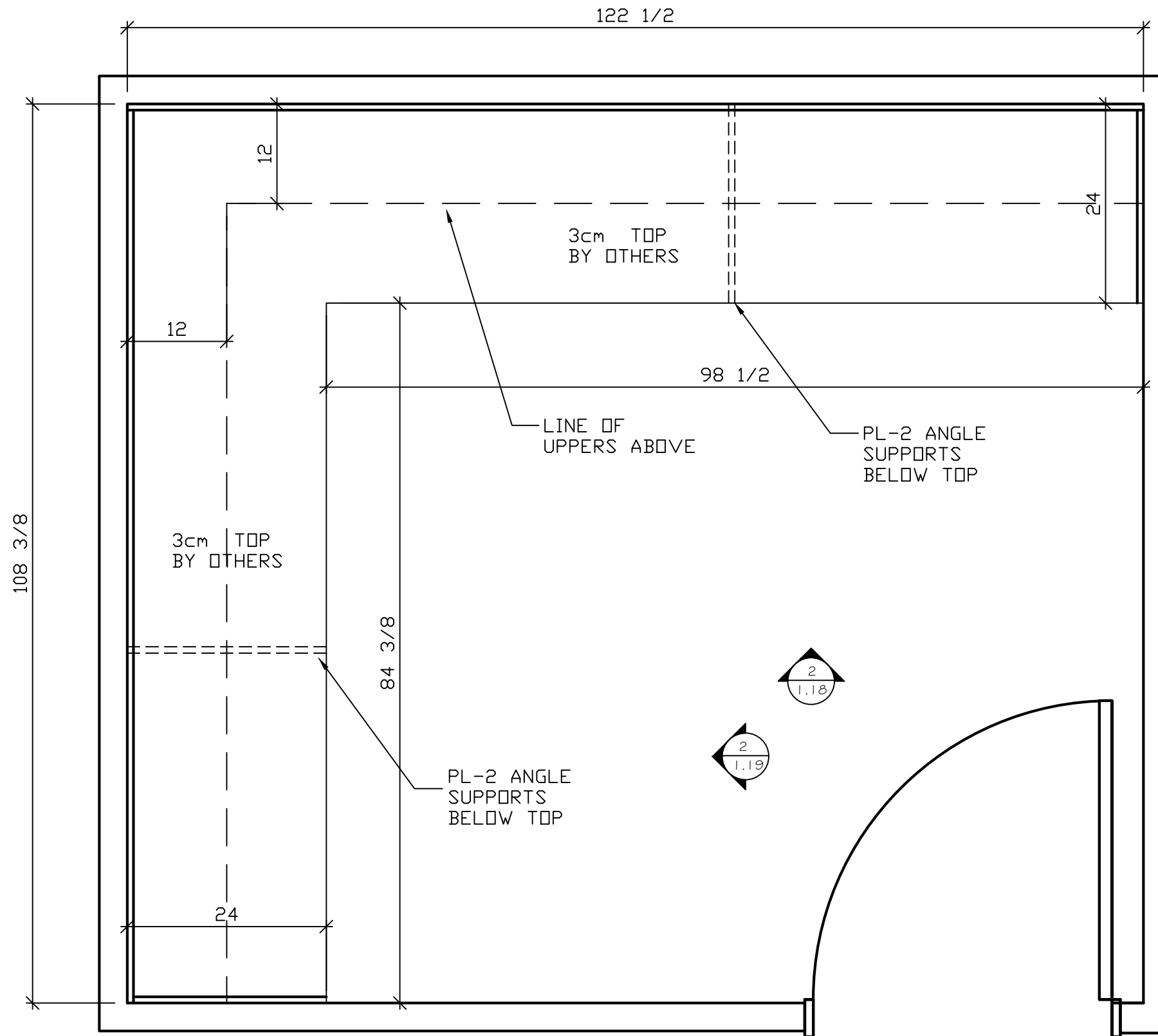


3 SECTION @ BREAK ROOM
 1-1/2"=1'-0" BREAK ROOM
 EXTERIOR PL-2: FORMICA 909-MC BLACK MICRODOT FIN,
 INTERIOR : 3/4" WHITE MELAMINE



4 SECTION @ BREAK ROOM
 1-1/2"=1'-0" BREAK ROOM
 EXTERIOR PL-2: FORMICA 909-MC BLACK MICRODOT FIN,
 INTERIOR : 3/4" WHITE MELAMINE

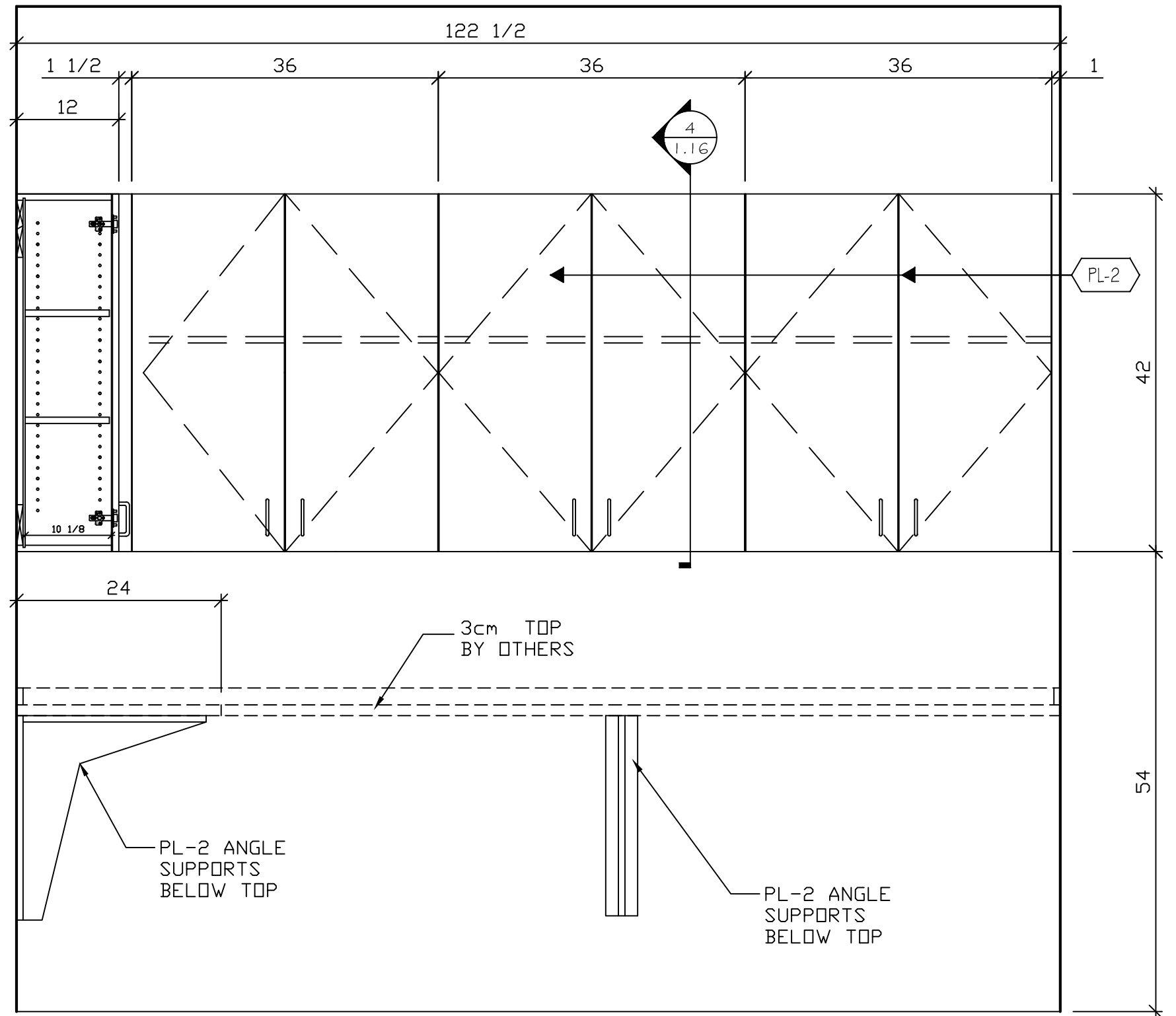




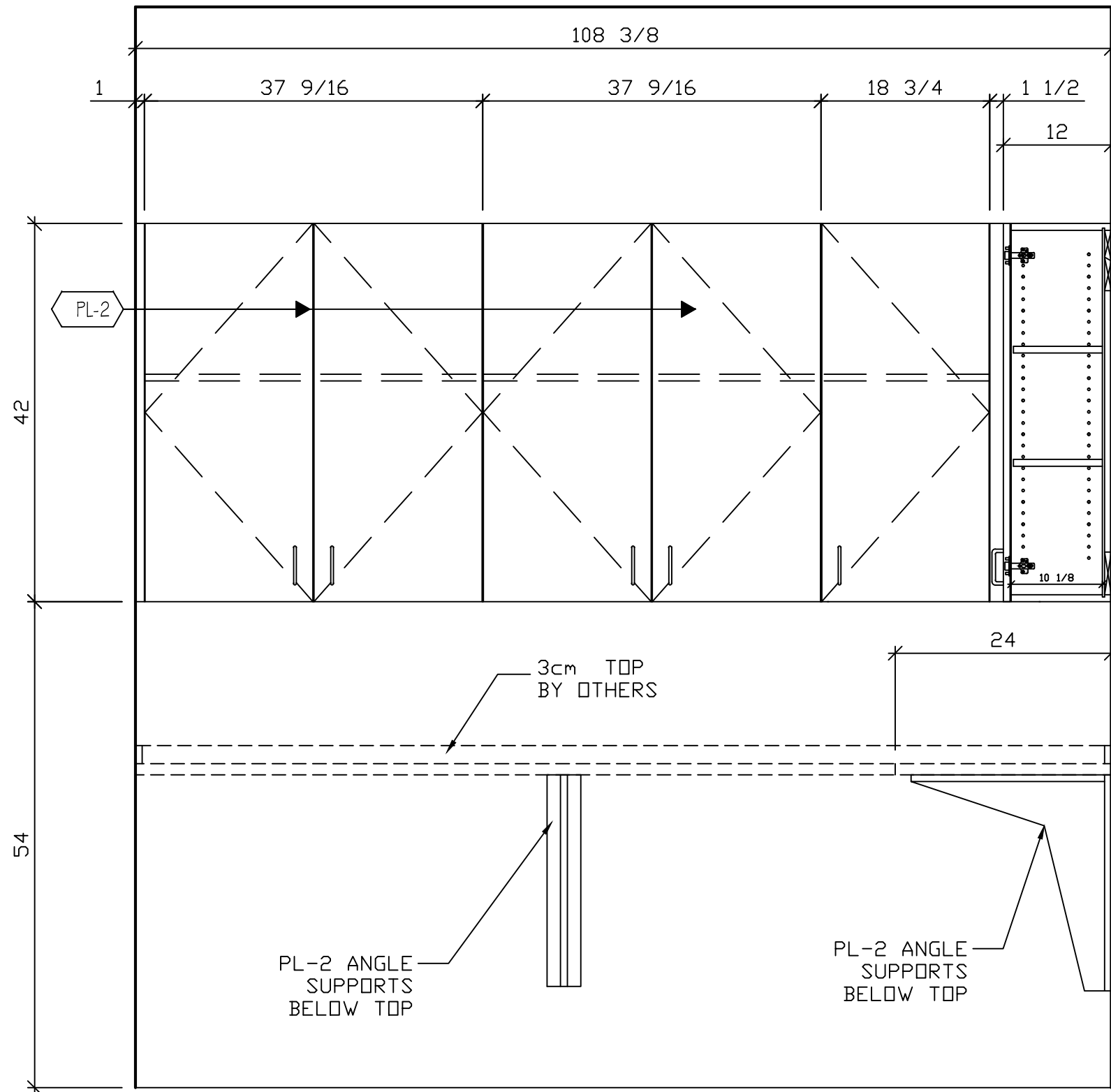
SUPPORTS BELOW TOP AND CASEWORK PROVIDED BY CREATIVE CUSTOM CABINETS. TOP TO BE PROVIDED BY OTHERS

1 PLAN VIEW @ RM 115 OFFICE
 3/4"=1'-0" BREAK ROOM
 EXTERIOR PL-2: FORMICA 909-MC BLACK MICRODOT FIN,
 INTERIOR : 3/4" BLACK MELAMINE

SUPPORTS BELOW TOP
AND CASEWORK
PROVIDED BY CREATIVE
CUSTOM CABINETS. TOP TO
BE PROVIDED BY OTHERS

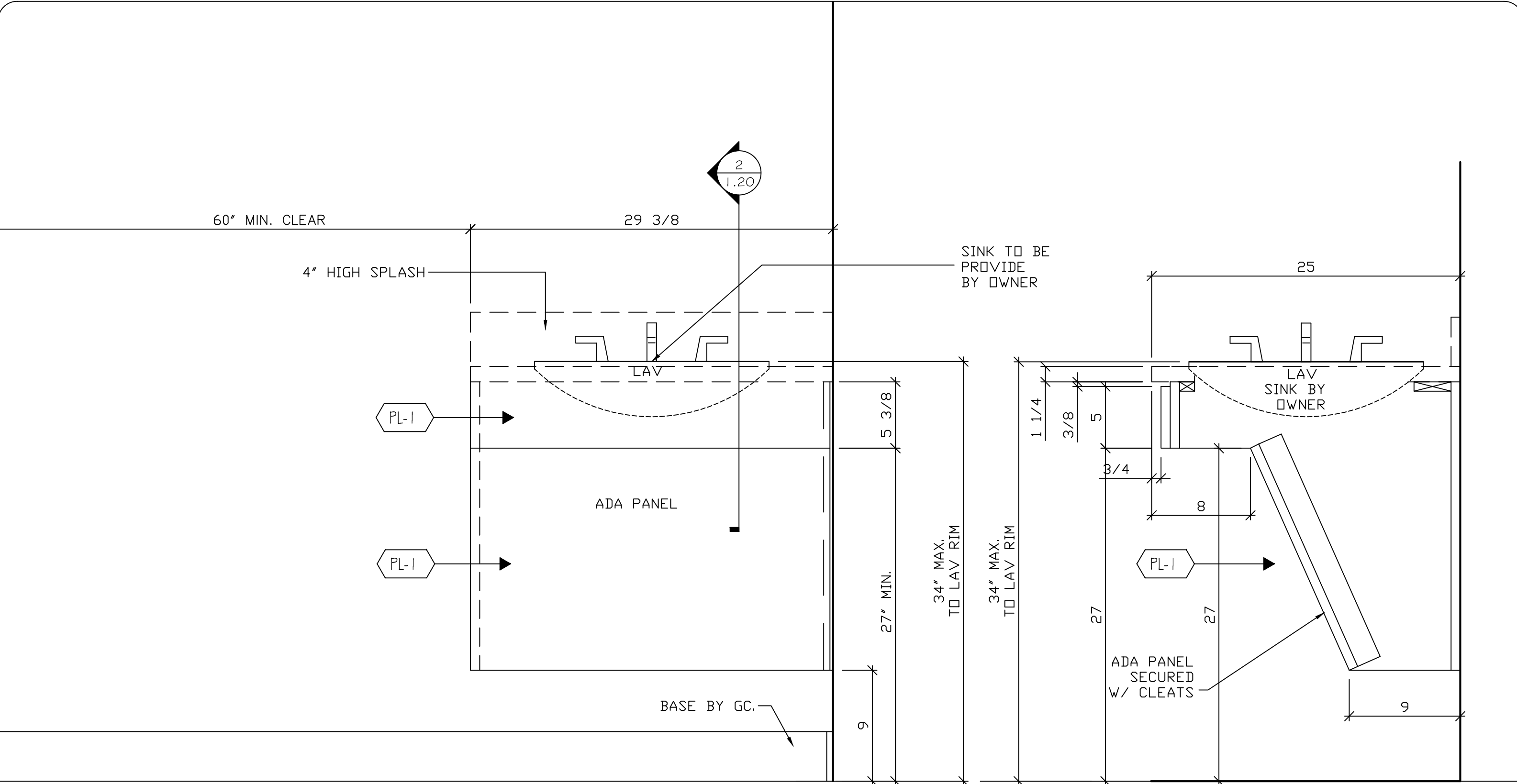


② ELEVATION @ RM 115 OFFICE
 3/4"=1'-0" BREAK ROOM
 EXTERIOR PL-2: FORMICA 909-MC BLACK MICRODOT FIN,
 ARCH REF. 09/A3.2 INTERIOR : 3/4" BLACK MELAMINE



SUPPORTS BELOW TOP AND CASEWORK PROVIDED BY CREATIVE CUSTOM CABINETS. TOP TO BE PROVIDED BY OTHERS

2 ELEVATION @ RM 115 OFFICE
 3/4"=1'-0" BREAK ROOM
 EXTERIOR PL-2: FORMICA 909-MC BLACK MICRODOT FIN,
 ARCH REF. 10/A3.2 INTERIOR : 3/4" BLACK MELAMINE



1 ELEVATION @ REST ROOM A/B
 1-1/2"=1'-0" REST ROOM A/B
 EXTERIOR PL-1: FORMICA 909-SP BLACK Sculpted Collection
 INTERIOR : 3/4" BLACK MELAMINE

2 SECTION @ REST ROOM A/B
 1-1/2"=1'-0" REST ROOM A/B
 EXTERIOR PL-1: FORMICA 909-SP BLACK Sculpted Collection
 INTERIOR : 3/4" BLACK MELAMINE