

BURNET TEXAS HOSPITAL TROPHY CASE

General Millwork Notes

- Finish to Match Sample Provided By Owner.
- Glass: GL-1: 3/8 Etched Decorative Glass;to Match Sample Provided By Owner.
- Pulls - Spec To be provided by owner

Table of Contents

Plan/Elevations/Sections	PG. 1.01
Details	PG. 1.02
Details	PG. 1.03

Finish Schedule

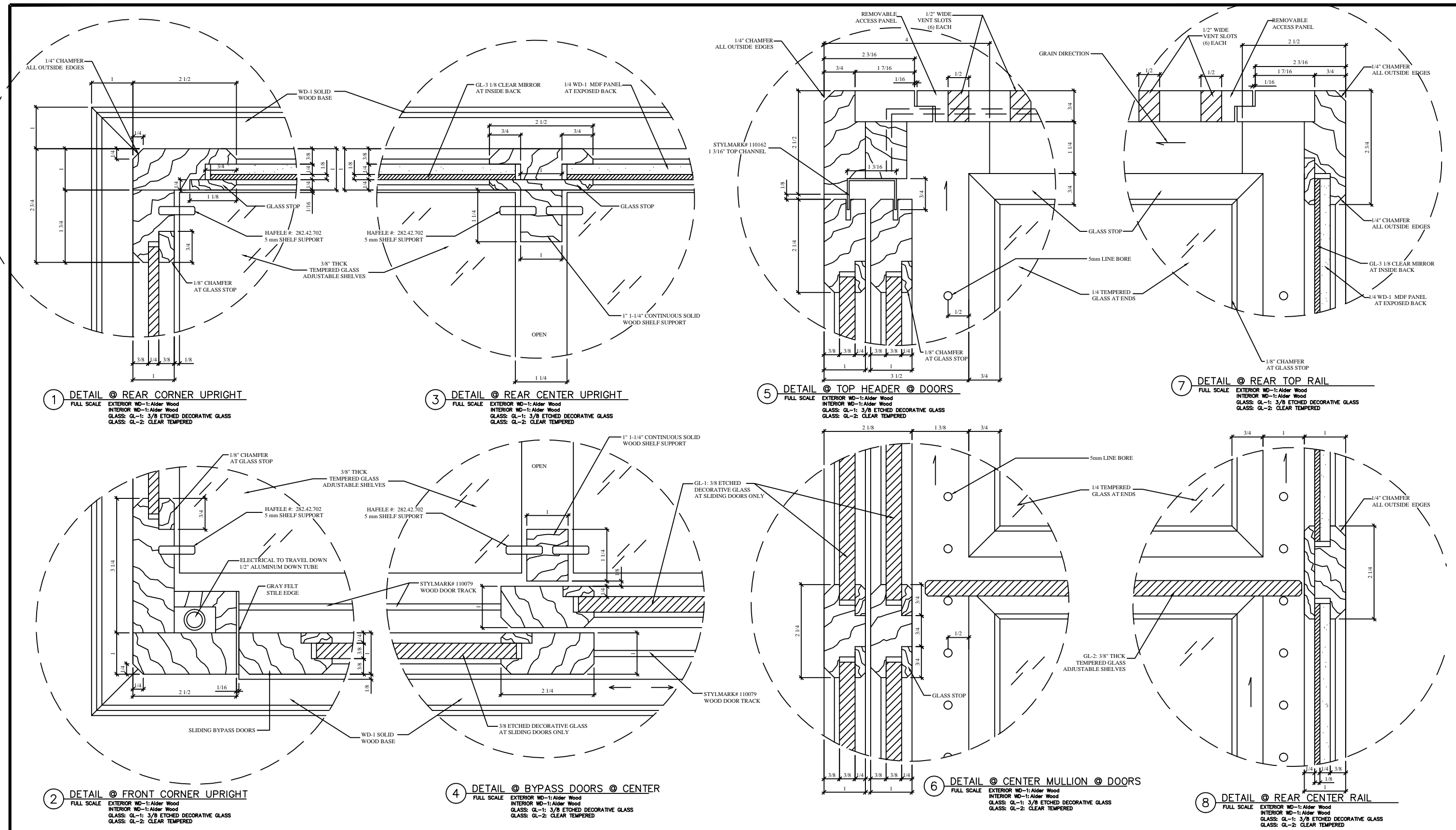
WD-1: Cabinet Doors and Exteriors	FORMICA 7216-58 SIEANNA TERRA
GLASS: GL-1: Doors and Exteriors	3/8 ETCHED DECORATIVE GLASS
GLASS: GL-2: Exteriors at Ends	CLEAR TEMPERED
	WD-1: FINISH TO MATCH SAMPLE PROVIDED BY OWNER. GL-1: 3/8 ETCHED DECORATIVE GLASS TO MATCH SAMPLE PROVIDED BY OWNER.

Cabinet Hardware Schedule - Commercial Cabinets of Austin Supplied

Sliding Door System	STYLMARK# 110079 WOOD DOOR TRACK
Sliding Door System	STYLMARK# 510041 HEAVY DUTY WHEEL ASSEMBLY
Sliding Door System	STYLMARK# 110162 1 3/16" TOP CHANNEL
Cabinet Pulls	TBD.
Adjustable Shelf Support	Hafele #: 282.42.702 Shelf Support with Stop, nickel-plated, 5mm
Lighting	HAFELE PUCK LIGHT #824.20.300 BLACK COLOR XENON LOW VOLTAGE LIGHT 12V/18WATT

Commercial Cabinets of Austin

Notes/Comments 1. Finish to Match Sample Provided By Owner. 2. Glass: GL-1: 3/8 Etched Decorative Glass;to Match Sample Provided By Owner. 3. Pulls - Spec To be provided by owner	Submittal Log		Drawn By	Materials Cabinet Doors and Exteriors- WD-1: Solid Alder Wood GLASS: GL-1: 3/8 ETCHED DECORATIVE GLASS GLASS: GL-2: CLEAR TEMPERED	Hardware Stylmark Sliding Door System Pulls - Spec To be provided by owner Shelf pins - Hafele #: 282.42.702 Shelf Support with Stop, nickel-plated, 5mm	Elevation Info		Commercial Cabinets of Austin		
	First Submittal	09/29/10	JF			Room	TROPHY CASE	Job Name	BURNET TEXAS HOSPITAL	
	Second Submittal					Arch Ref		Address		
	Issued For Production	--				Production/Install Info		City/State		
	Issued For Installation	--				Job Number		Designer	Designs by French	TL-SH
	----	--				Finish		Date	09/29/10	Sheet Number
	----	--				Install				
	----	--				Scale	1-1/2"=1'-0"			



Notes/Comments	Submittal Log	Drawn By	Materials	Hardware	Elevation Info	Commercial Cabinets of Austin		
1. Finish to Match Sample Provided By Owner. 2. Glass: GL-1: 3/8 Etched Decorative Glass; to Match Sample Provided By Owner. 3. Pulls - Spec To be provided by owner	First Submittal	09/29/10	JF	Stylmark Sliding Door System Pulls - Spec To be provided by owner Shelf pins - Hafele #: 282.42.702 Shelf Support with Stop, nickel-plated, 5mm	Room	TROPHY CASE		
	Second Submittal				Arch Ref			
	Issued For Production	--			Production/Install Info	Job Name		BURNET TEXAS HOSPITAL
	Issued For Installation	--			Job Number	Address		
	---	--			Finish	City/State		
	---	--			Install	Designer		Designs by French
---	--		Scale 3"=1'-0"	Date	09/29/10			
							1.02 Sheet Number	