

Notes/Comments

1) OWNER TO PROVIDE SHOWCASE LIGHTING

2) MIRRORS TO BE LOCATED AT INSIDE VISUAL AREA OF SHOWCASE END PANELS

3) MIRRORS TO BE PROVIDED AT EXISTING SHOWCASES: **OPTIONAL**.

4) OWNER TO DEMO EXISTING WALL AND RELOCATE ELECTRICAL FOR NEW SHOWCASES AS NEEDED. COORDINATE WITH FIXTURE CONTRACTOR.

5)

6)

Submittal Log		Drawn By
First Submittal	03/12/10	JF
THIRD Submittal	03/30/10	JF
Issued For Production	--	
Issued For Installation	--	
----	--	
----	--	
----	--	
----	--	

Materials

Cabinet Doors and Extensors- WD-1 Plain Sliced Maple on 3/4" MDF; Finish to match existing

Edgebanding - Maple Edge Tape

Showcase Interiors - Plain Sliced Maple on 3/4"; Finish to match existing

Hardware

Showcase metal - Stylmark # 210 Brushed Brite Natural

Locks- Kenstan:Disc Tumbler Line;Plunger Lock Satin Nickel

Pulls - Flush Mount Pulls, Satin Nickel

Elevation Info	
Room	Showcase Isometric
Arch Ref	
Production/Install Info	
Production	
Finish	
Install	
Scale	N/A

Creative Custom Cabinets Inc.	
Job Name	Cedar Park Jewelry
Address	601 East Whitestone Blvd
City/State	Cedar Park TX. 78613
Designer	Designs by French
Contractor	
Date	03/30/10
Sheet Number	ISO-1

**CEDAR PARK JEWELRY
CEDAR PARK TX.
ELECTRICAL PLAN**

NOTE:
THE ON SITE ELECTRICAL CONTRACTOR WILL BE RESPONSIBLE FOR WIRING THE SHOWCASE ELECTRICAL TO THE FLOOR JUNCTION BOX IN THE FIELD.

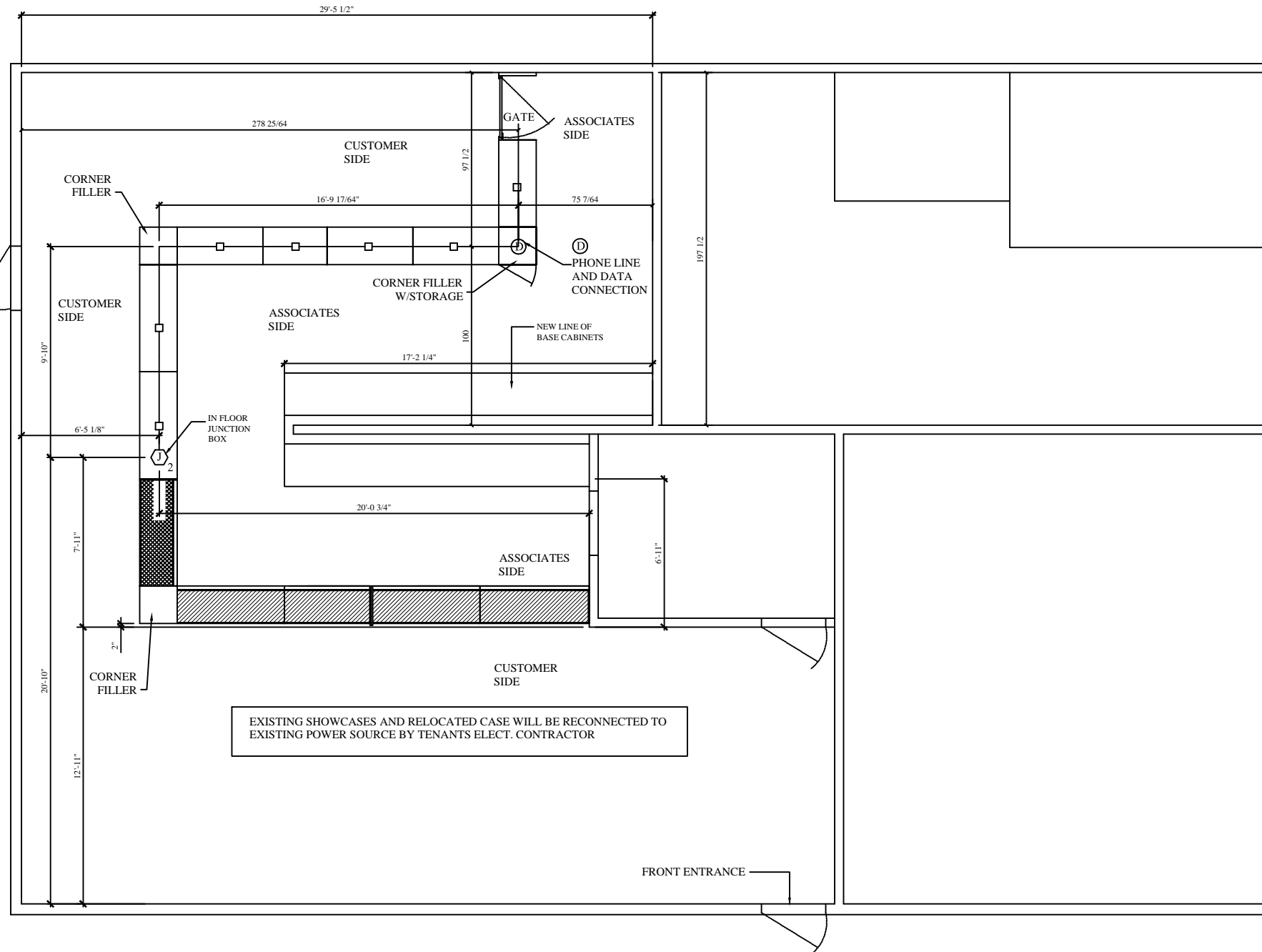
Ⓜ₂ = FLUSH FLOOR MOUNTED JUNCTION BOX.
(2) SEPARATE CIRCUITS ARE REQUIRED. ONE FOR THE SHOWCASE LIGHTS ONE FOR THE POS. QUAD OUT LET QUAD OUT LET RECEPTACLE. NEEDS TO BE ON (24 HOUR POWER)

NOTE:
J BOX LOCATIONS ARE CRITICAL FOR PROPER INSTALLATION.

ALL SHOWCASE ISLANDS WILL BE WIRED USING LEVITON 15 AMP 125 VOLT LOCKING PLUG THE FIRST SHOWCASE IN THE RUN MUST BE HARD WIRED TO THE FLOOR MOUNTED "J" BOX BY TENANTS ELECTRICAL CONTRACTOR

Ⓧ -PHONE LINE AND DATA CONNECTION

□ -SHOWCASE J-BOX



Notes/Comments
1) OWNER TO PROVIDE SHOWCASE LIGHTING
2) MIRRORS TO BE LOCATED AT INSIDE VISUAL AREA OF SHOWCASE END PANELS
3) MIRRORS TO BE PROVIDED AT EXISTING SHOWCASES: <u>OPTIONAL</u> .
4) OWNER TO DEMO EXISTING WALL AND RELOCATE ELECTRICAL FOR NEW SHOWCASES AS NEEDED. <u>COORDINATE WITH FIXTURE CONTRACTOR</u> .
5)
6)

Submittal Log		Drawn By
First Submittal	03/16/10	JF
Second Submittal	03/23/10	JF
Issued For Production	--	
Issued For Installation	--	
----	--	
----	--	
----	--	
----	--	

Materials
Cabinet Doors and Extensiors- WD-1 Plain Sliced Maple on 3/4" MDF; Finish to match existing
Edgebanding - Maple Edge Tape
Showcase INTERIORS ; 3/4" MDF; Finish to match existing

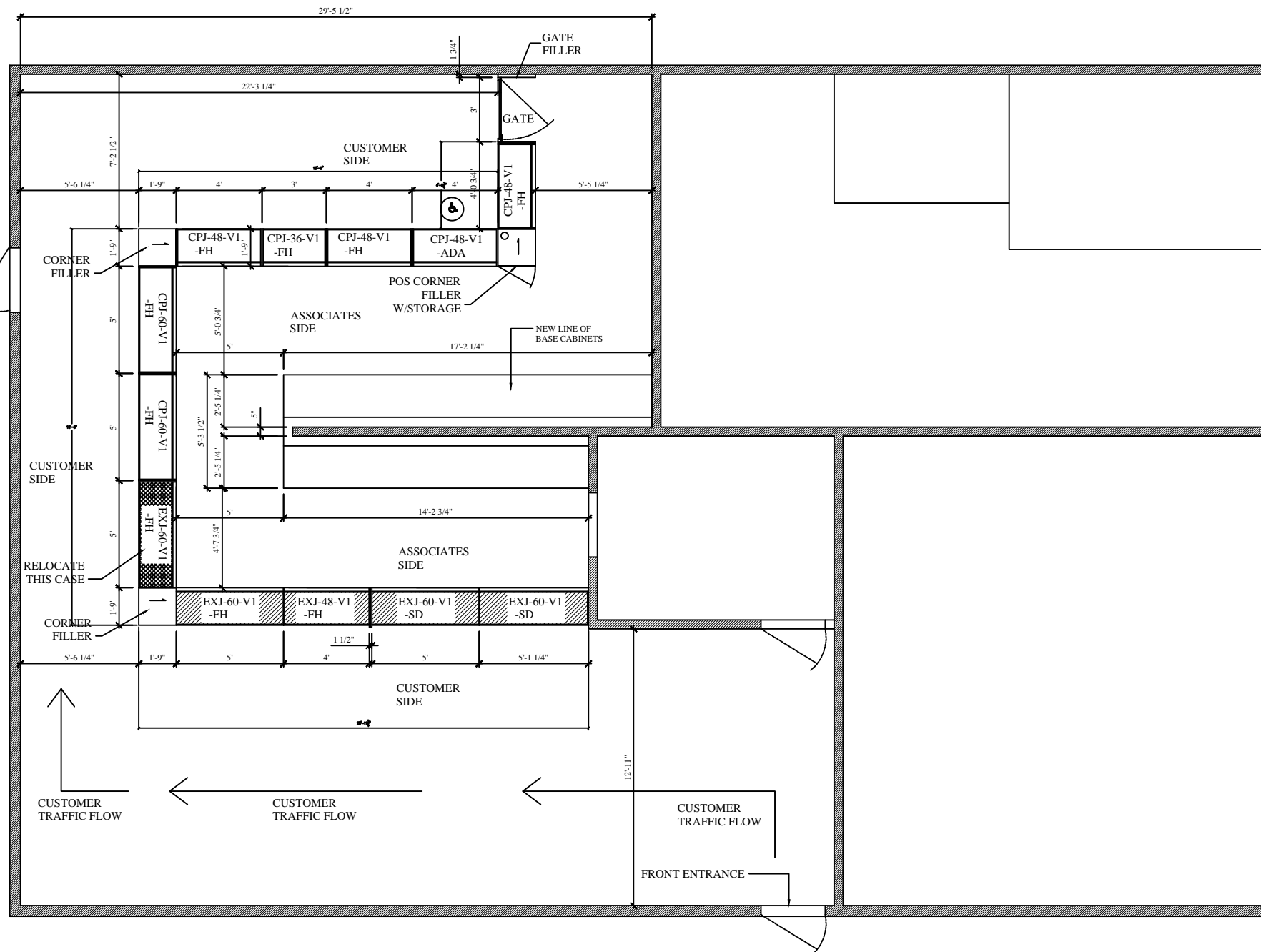
Hardware
Showcase metal - Stylmark # 218 Brushed Brite Stainless steel
Locks- Kenstan:Disc Tumbler Line;Plunger Lock Satin Nickel
Pulls - Flush Mount Pulls, Satin Nickel

Elevation Info	
Room	Showcase Plan
Arch Ref	
Production/Install Info	
Production	
Finish	
Install	
Scale	3/8" = 1'-0"

Creative Custom Cabinets Inc.	
Job Name	Cedar Park Jewelry
Job Number	601 East Whitestone Blvd
Address	Cedar Park TX. 78613
City/State	Designs by French
Designer	
Contractor	
Date	03/23/10
Sheet Number	ELCT.-1

**CEDAR PARK JEWELRY
CEDAR PARK TX.
FIXTURE PLAN**

- EXISTING SHOWCASE TO BE RELOCATED
- EXISTING SHOWCASES TO REMAIN IN PRESENT LOCATION
- EXISTING: EXJ-60-V1-FH SHOWCASE TO BE RELOCATED
- NEW: CPJ-XX-V1-SD SHOWCASE
- ADA: CPJ-48-V1 SHOWCASE -ADA TO BE 34" IN HEIGHT
- NEW SHOWCASE = (1 ea.) 3' CPJ-36-V1 -FH
TO BE PROVIDED BY CREATIVE CUSTOM CABINETS
- (1 ea.) 4' CPJ-48-V1 -ADA
- (3 ea.) 4' CPJ-48-V1 -FH
- (2 ea.) 6' CPJ-460-V1 -FH
- EXISTING SHOWCASE = (1 ea.) 6' EXJ-60-V1 -FH TO BE RELOCATED
- NEW FILLERS = (2 ea.) 21" X 21" OUTSIDE CORNER FILLER W/ REAR STORAGE
- (1 ea.) 21" X 21" INSIDE CORNER FILLER W/ REAR STORAGE
- (1ea.) 2-1/2" X 21" GATE FILLER



Notes/Comments
1) OWNER TO PROVIDE SHOWCASE LIGHTING
2) MIRRORS TO BE LOCATED AT INSIDE VISUAL AREA OF SHOWCASE END PANELS
3) MIRRORS TO BE PROVIDED AT EXISTING SHOWCASES: OPTIONAL.
4) OWNER TO DEMO EXISTING WALL AND RELOCATE ELECTRICAL FOR NEW SHOWCASES AS NEEDED. <u>COORDINATE WITH FIXTURE CONTRACTOR.</u>
5)
6)

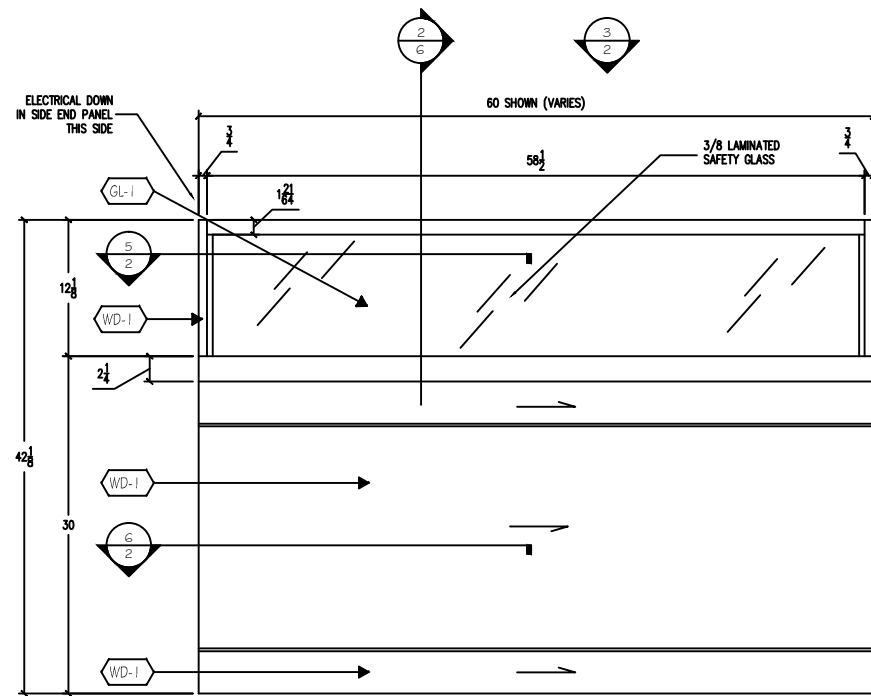
Submittal Log		Drawn By
First Submittal	03/16/10	JF
THIRD Submittal	03/30/10	JF
Issued For Production	--	
Issued For Installation	--	
----	--	
----	--	
----	--	
----	--	

Materials
Cabinet Doors and Extensiors- WD-1 Plain Sliced Maple on 3/4" MDF; Finish to match existing
Edgebanding - Maple Edge Tape
Showcase Interiors - Plain Sliced Maple on 3/4"; Finish to match existing

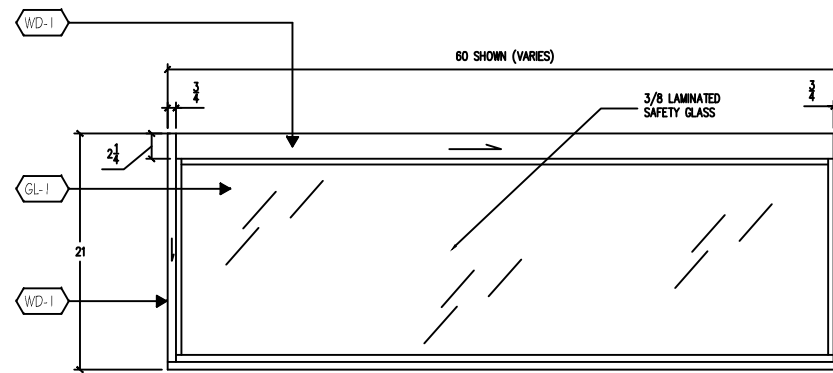
Hardware
Showcase metal - Stylmark # 210 Brushed Bnte Natural
Locks- Kenstan:Disc Tumbler Line;Plunger Lock Satin Nickel
Pulls - Flush Mount Pulls, Satin Nickel

Elevation Info	
Room	Showcase Plan
Arch Ref	
Production/Install Info	
Production	
Finish	
Install	
Scale	3/8" = 1'-0"

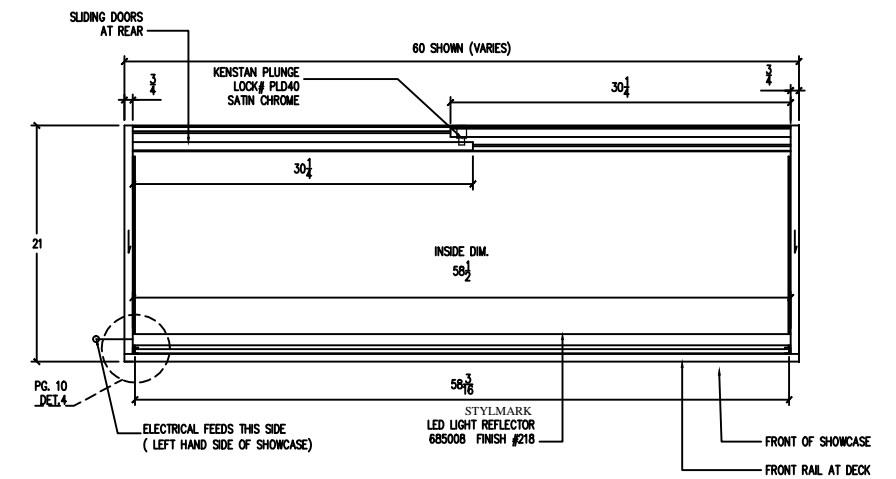
Creative Custom Cabinets Inc.	
Job Name	Cedar Park Jewelry
Job Number	601 East Whitestone Blvd
Address	Cedar Park TX. 78613
City/State	Designs by French
Designer	
Contractor	
Date	03/30/10
Sheet Number	1



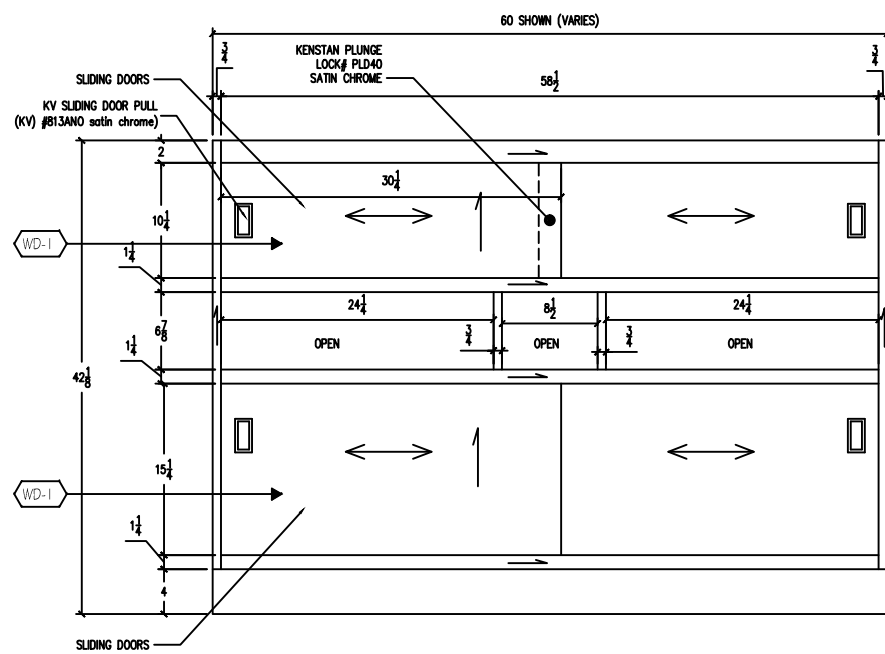
1 FRONT ELEVATION @ CPJ-60-V1
 1-1/2"=1'-0" CEDAR PARK JEWELRY / FULL HEIGHT SECURITY SHOWCASE
 EXTERIOR WD-1: Plain Sliced Maple on 3/4" MDF; Finish to match existing
 INTERIOR : 3/4" MDF; Finish to match existing



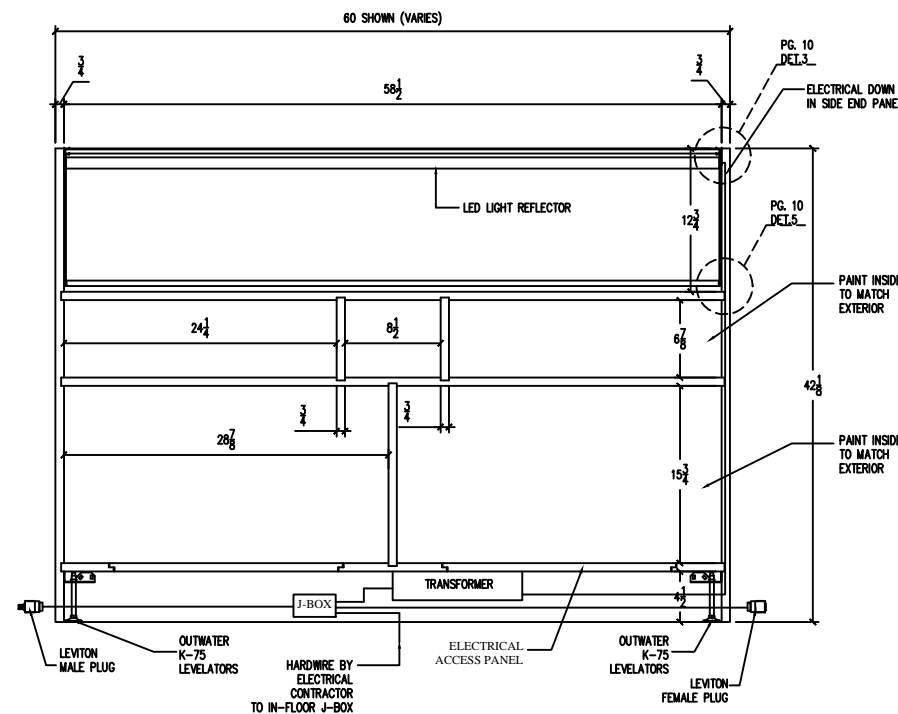
3 PLAN VIEW @ CPJ-60-V1
 1-1/2"=1'-0" CEDAR PARK JEWELRY / FULL HEIGHT SECURITY SHOWCASE
 EXTERIOR WD-1: Plain Sliced Maple on 3/4" MD; Finish to match existing
 INTERIOR : 3/4" MDF; Finish to match existing



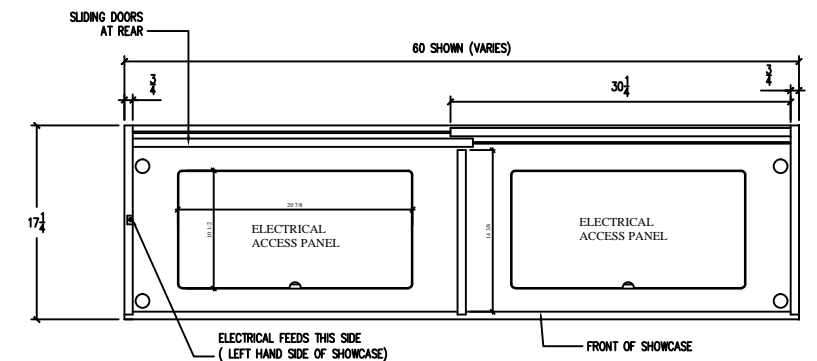
5 PLAN SECTION @ CPJ-60-V1
 1-1/2"=1'-0" CEDAR PARK JEWELRY / FULL HEIGHT SECURITY SHOWCASE
 EXTERIOR WD-1: Plain Sliced Maple on 3/4" MD; Finish to match existing
 INTERIOR : 3/4" MDF; Finish to match existing



2 REAR ELEVATION @ CPJ-60-V1
 1-1/2"=1'-0" CEDAR PARK JEWELRY / FULL HEIGHT SECURITY SHOWCASE
 EXTERIOR WD-1: Plain Sliced Maple on 3/4" MDF; Finish to match existing
 INTERIOR : 3/4" MDF; Finish to match existing

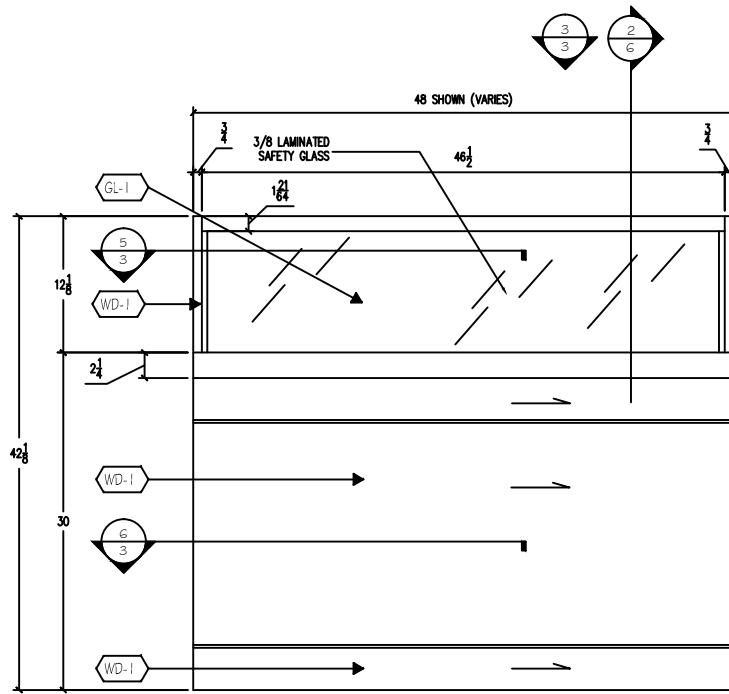


4 SECTION @ REAR CPJ-60-V1
 1-1/2"=1'-0" CEDAR PARK JEWELRY / FULL HEIGHT SECURITY SHOWCASE
 EXTERIOR WD-1: Plain Sliced Maple on 3/4" MDF; Finish to match existing
 INTERIOR : 3/4" MDF; Finish to match existing

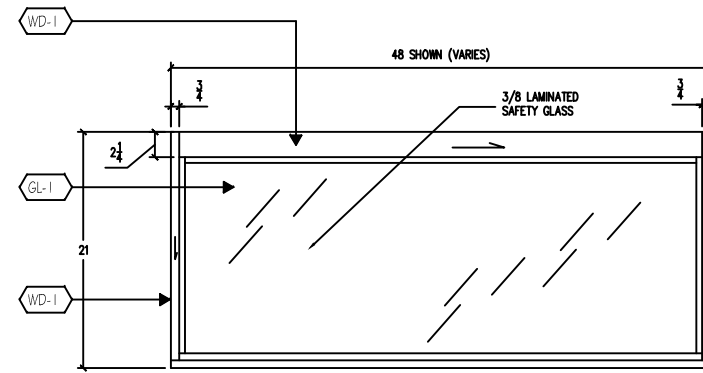


6 PLAN SECTION @ CPJ-60-V1
 1-1/2"=1'-0" CEDAR PARK JEWELRY / FULL HEIGHT SECURITY SHOWCASE
 EXTERIOR WD-1: Plain Sliced Maple on 3/4" MD; Finish to match existing
 INTERIOR : 3/4" MDF; Finish to match existing

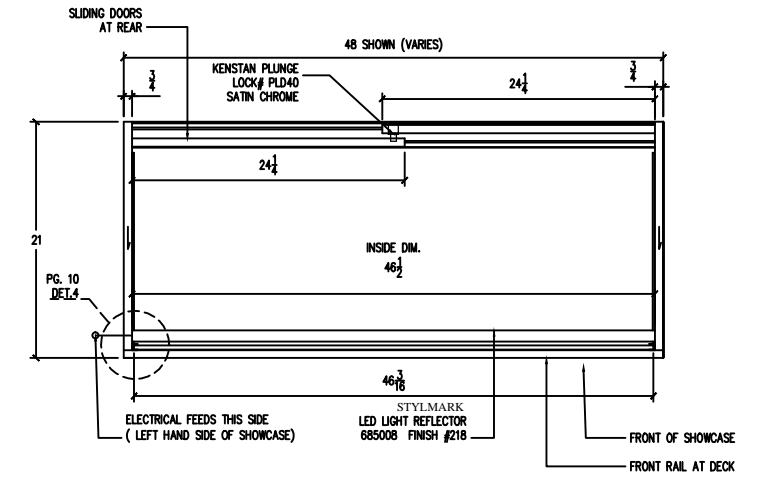
Notes/Comments	Submittal Log	Drawn By	Materials	Hardware	Elevation Info	Creative Custom Cabinets Inc.	
1) OWNER TO PROVIDE SHOWCASE LIGHTING	First Submittal 03/16/10 JF	JF	Cabinet Doors and Extentors- WD-1 Plain Sliced Maple on 3/4" MDF; Finish to match existing Edgebanding - Maple Edge Tape Showcase INTERIORS : 3/4" MDF; Finish to match existing	Showcase metal - Stylmark # 218 Brushed Brnt Stainless steel Locks- Kenstan-Disc Tumbler Line;Plunger Lock Satin Nickel Pulls - Flush Mount Pulls, Satin Nickel	Room Showcase ELEVATION	Job Name	Cedar Park Jewelry
2) MIRRORS TO BE LOCATED AT INSIDE VISUAL AREA OF SHOWCASE END PANELS	THIRD Submittal 03/30/10 JF	JF			Arch Ref	Address	601 East Whitestone Blvd
3) MIRRORS TO BE PROVIDED AT EXISTING SHOWCASES: OPTIONAL.	Issued For Production --	--			Production	City/State	Cedar Park TX. 78613
4) OWNER TO DEMO EXISTING WALL AND RELOCATE ELECTRICAL FOR NEW SHOWCASES AS NEEDED. COORDINATE WITH FIXTURE CONTRACTOR.	Issued For Installation --	--			Finish	Designer	Designs by French
5)	----	--			Install	Contractor	
6)	----	--			Scale 1-1/2"=1'-0"	Date	03/30/10



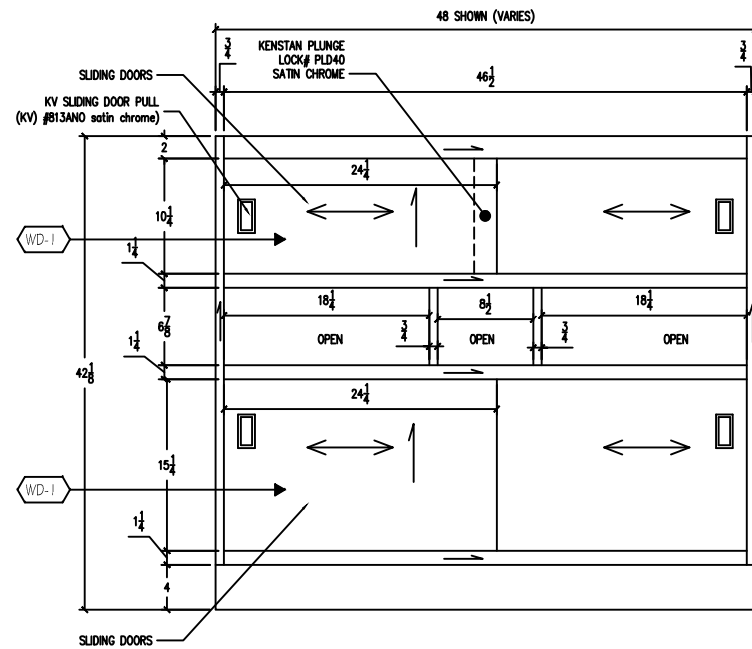
1 FRONT ELEVATION @ CPJ-48-V1
 1-1/2"=1'-0" CEDAR PARK JEWELRY / FULL HEIGHT SECURITY SHOWCASE
 EXTERIOR WD-1: Plain Sliced Maple on 3/4" MDF; Finish to match existing
 INTERIOR : 3/4" MDF; Finish to match existing



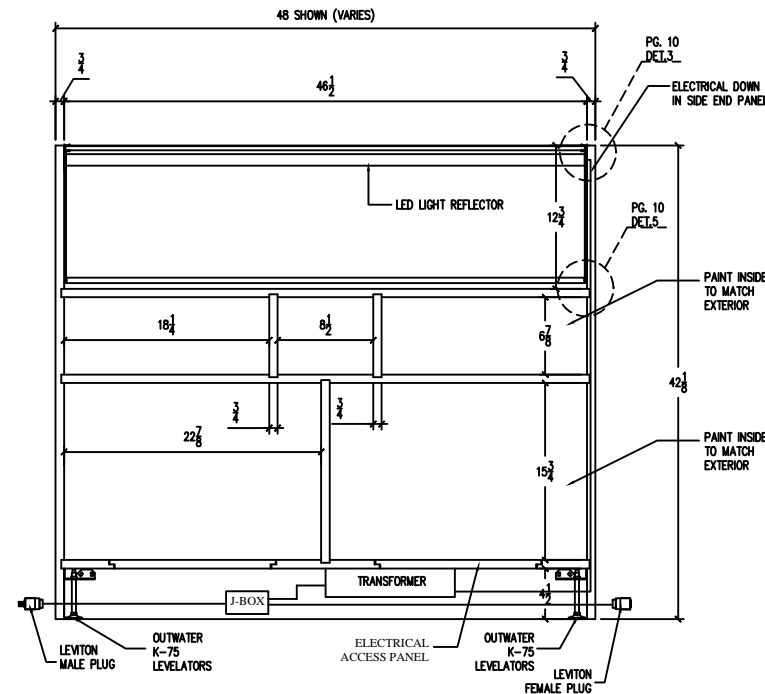
3 PLAN VIEW @ CPJ-48-V1
 1-1/2"=1'-0" CEDAR PARK JEWELRY / FULL HEIGHT SECURITY SHOWCASE
 EXTERIOR WD-1: Plain Sliced Maple on 3/4" MDF; Finish to match existing
 INTERIOR : 3/4" MDF; Finish to match existing



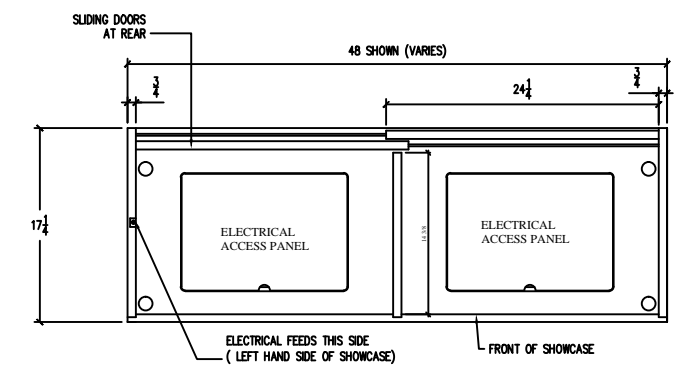
5 PLAN SECTION @ CPJ-48-V1
 1-1/2"=1'-0" CEDAR PARK JEWELRY / FULL HEIGHT SECURITY SHOWCASE
 EXTERIOR WD-1: Plain Sliced Maple on 3/4" MDF; Finish to match existing
 INTERIOR : 3/4" MDF; Finish to match existing



2 REAR ELEVATION @ CPJ-48-V1
 1-1/2"=1'-0" CEDAR PARK JEWELRY / FULL HEIGHT SECURITY SHOWCASE
 EXTERIOR WD-1: Plain Sliced Maple on 3/4" MDF; Finish to match existing
 INTERIOR : 3/4" MDF; Finish to match existing



4 SECTION @ REAR CPJ-48-V1
 1-1/2"=1'-0" CEDAR PARK JEWELRY / FULL HEIGHT SECURITY SHOWCASE
 EXTERIOR WD-1: Plain Sliced Maple on 3/4" MDF; Finish to match existing
 INTERIOR : 3/4" MDF; Finish to match existing



6 PLAN SECTION @ CPJ-48-V1
 1-1/2"=1'-0" CEDAR PARK JEWELRY / FULL HEIGHT SECURITY SHOWCASE
 EXTERIOR WD-1: Plain Sliced Maple on 3/4" MDF; Finish to match existing
 INTERIOR : 3/4" MDF; Finish to match existing

Notes/Comments
1) OWNER TO PROVIDE SHOWCASE LIGHTING
2) MIRRORS TO BE LOCATED AT INSIDE VISUAL AREA OF SHOWCASE END PANELS
3) MIRRORS TO BE PROVIDED AT EXISTING SHOWCASES: OPTIONAL.
4) OWNER TO DEMO EXISTING WALL AND RELOCATE ELECTRICAL FOR NEW SHOWCASES AS NEEDED. COORDINATE WITH FIXTURE CONTRACTOR.
5)
6)

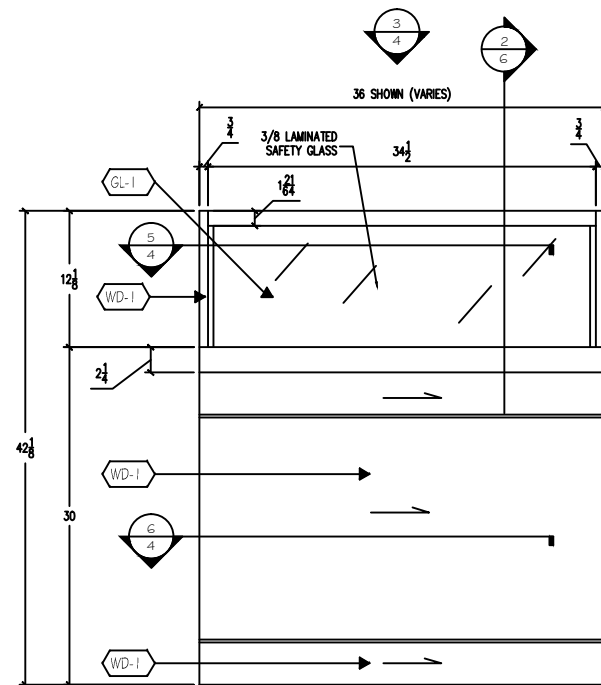
Submittal Log		Drawn By
First Submittal	03/16/10	JF
THIRD Submittal	03/30/10	JF
Issued For Production	--	
Issued For Installation	--	
----	--	
----	--	
----	--	
----	--	

Materials
Cabinet Doors and Extensiors- WD-1 Plain Sliced Maple on 3/4" MDF; Finish to match existing
Edgebanding - Maple Edge Tape
Showcase INTERIORS : 3/4" MDF; Finish to match existing

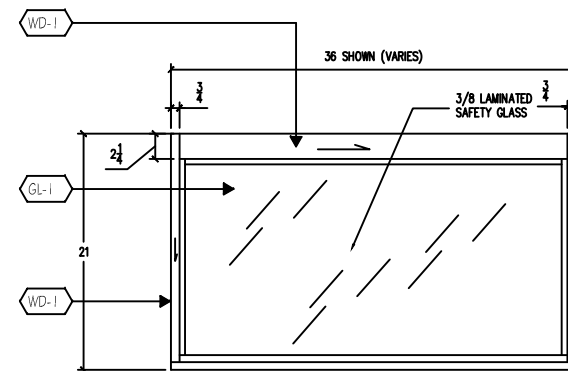
Hardware
Showcase metal - Stylmark # 218 Brushed Bnte Stainless steel
Locks- Kenstan:Disc Tumbler Line;Plunger Lock Satin Nickel
Pulls - Flush Mount Pulls, Satin Nickel

Elevation Info	
Room	Showcase ELEVATION
Arch Ref	
Production/Install Info	
Production	
Finish	
Install	
Scale	1-1/2"=1'-0"

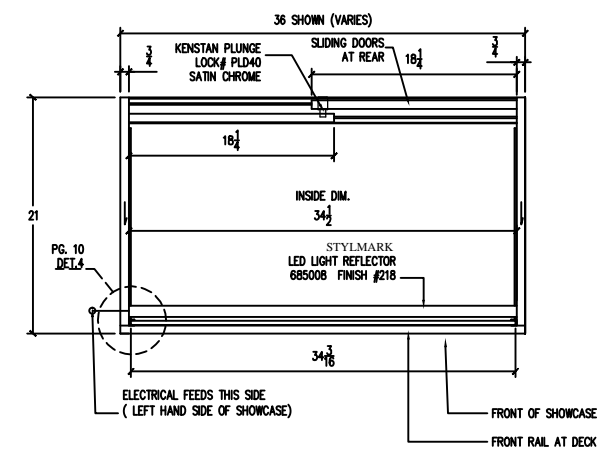
Creative Custom Cabinets Inc.	
Job Name	Cedar Park Jewelry
Job Number	601 East Whitestone Blvd
Address	Cedar Park TX. 78613
City/State	Designs by French
Designer	
Contractor	
Date	03/30/10
Sheet Number	3



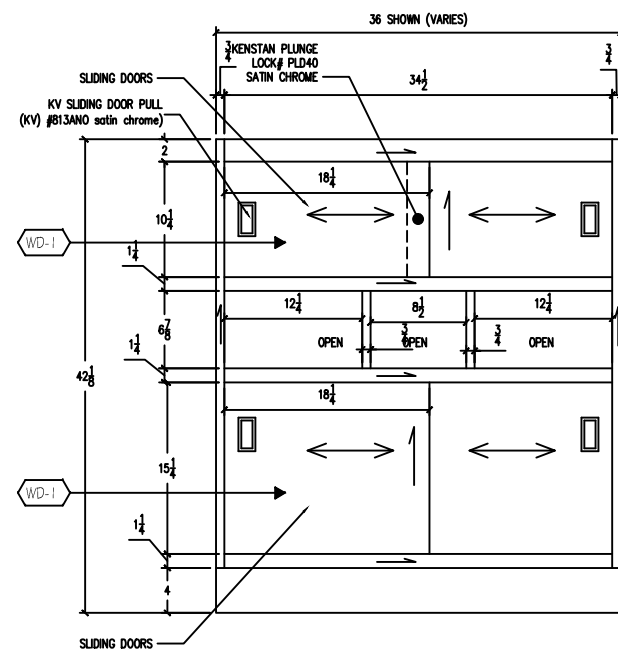
1 FRONT ELEVATION @ CPJ-36-V1
 1-1/2"=1'-0" CEDAR PARK JEWELRY / FULL HEIGHT SECURITY SHOWCASE
 EXTERIOR WD-1: Plain Sliced Maple on 3/4" MDF; Finish to match existing
 INTERIOR : 3/4" MDF; Finish to match existing



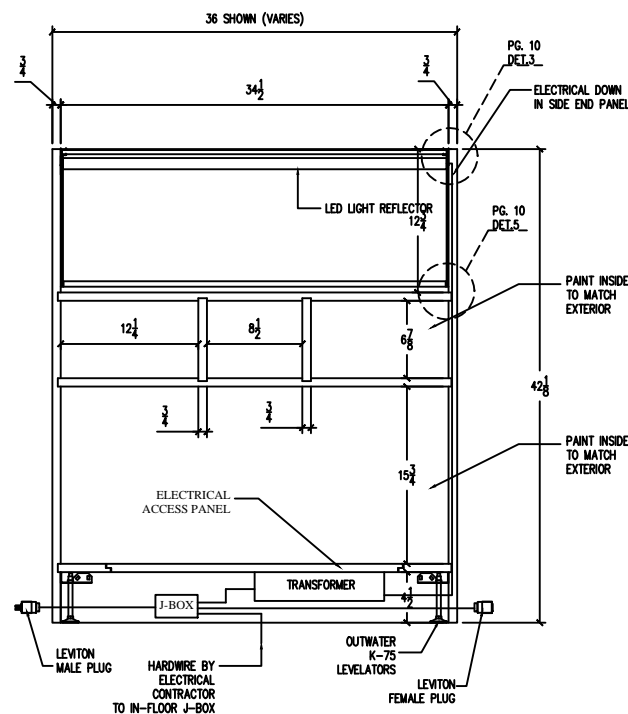
3 PLAN VIEW @ CPJ-36-V1
 1-1/2"=1'-0" CEDAR PARK JEWELRY / FULL HEIGHT SECURITY SHOWCASE
 EXTERIOR WD-1: Plain Sliced Maple on 3/4" MDF; Finish to match existing
 INTERIOR : 3/4" MDF; Finish to match existing



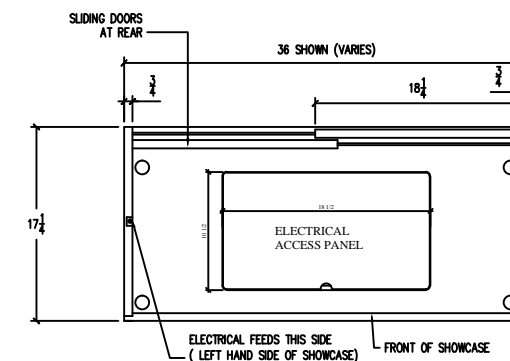
5 PLAN SECTION @ CPJ-36-V1
 1-1/2"=1'-0" CEDAR PARK JEWELRY / FULL HEIGHT SECURITY SHOWCASE
 EXTERIOR WD-1: Plain Sliced Maple on 3/4" MDF; Finish to match existing
 INTERIOR : 3/4" MDF; Finish to match existing



2 REAR ELEVATION @ CPJ-36-V1
 1-1/2"=1'-0" CEDAR PARK JEWELRY / FULL HEIGHT SECURITY SHOWCASE
 EXTERIOR WD-1: Plain Sliced Maple on 3/4" MDF; Finish to match existing
 INTERIOR : 3/4" MDF; Finish to match existing



4 SECTION @ REAR CPJ-36-V1
 1-1/2"=1'-0" CEDAR PARK JEWELRY / FULL HEIGHT SECURITY SHOWCASE
 EXTERIOR WD-1: Plain Sliced Maple on 3/4" MDF; Finish to match existing
 INTERIOR : 3/4" MDF; Finish to match existing



6 PLAN SECTION @ CPJ-36-V1
 1-1/2"=1'-0" CEDAR PARK JEWELRY / FULL HEIGHT SECURITY SHOWCASE
 EXTERIOR WD-1: Plain Sliced Maple on 3/4" MDF; Finish to match existing
 INTERIOR : 3/4" MDF; Finish to match existing

Notes/Comments
1) OWNER TO PROVIDE SHOWCASE LIGHTING
2) MIRRORS TO BE LOCATED AT INSIDE VISUAL AREA OF SHOWCASE END PANELS
3) MIRRORS TO BE PROVIDED AT EXISTING SHOWCASES: OPTIONAL.
4) OWNER TO DEMO EXISTING WALL AND RELOCATE ELECTRICAL FOR NEW SHOWCASES AS NEEDED. <u>COORDINATE WITH FIXTURE CONTRACTOR.</u>
5)
6)

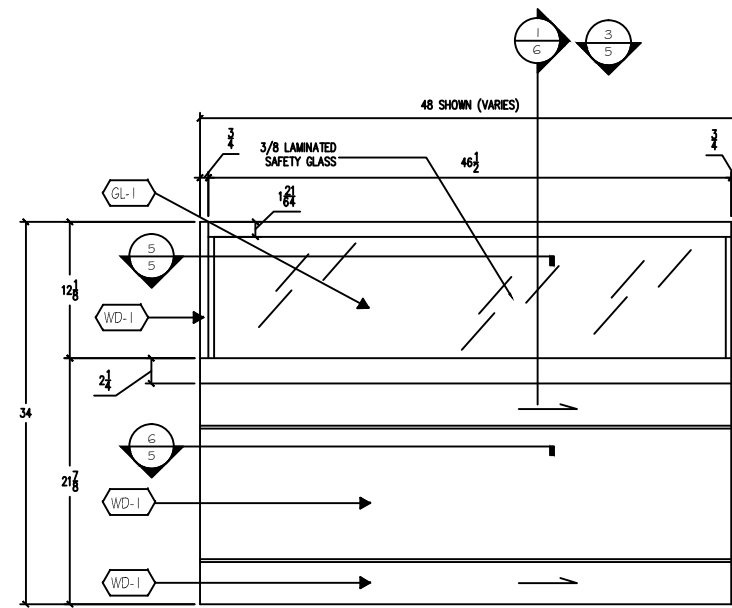
Submittal Log		Drawn By
First Submittal	03/16/10	JF
THIRD Submittal	03/30/10	JF
Issued For Production	--	
Issued For Installation	--	
----	--	
----	--	
----	--	
----	--	

Materials
Cabinet Doors and Extensors- WD-1 Plain Sliced Maple on 3/4" MDF; Finish to match existing
Edgebanding - Maple Edge Tape
Showcase INTERIORS : 3/4" MDF; Finish to match existing

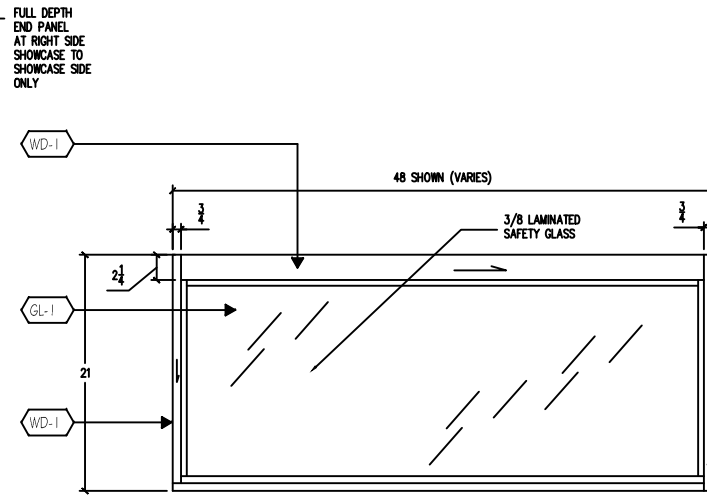
Hardware
Showcase metal - Stylmark # 218 Brushed Bnte Stainless steel
Locks- Kenstan:Disc Tumbler Line;Plunger Lock Satin Nickel
Pulls - Flush Mount Pulls, Satin Nickel

Elevation Info	
Room	Showcase ELEVATION
Arch Ref	
Production/Install Info	
Production	
Finish	
Install	
Scale	1-1/2"=1'-0"

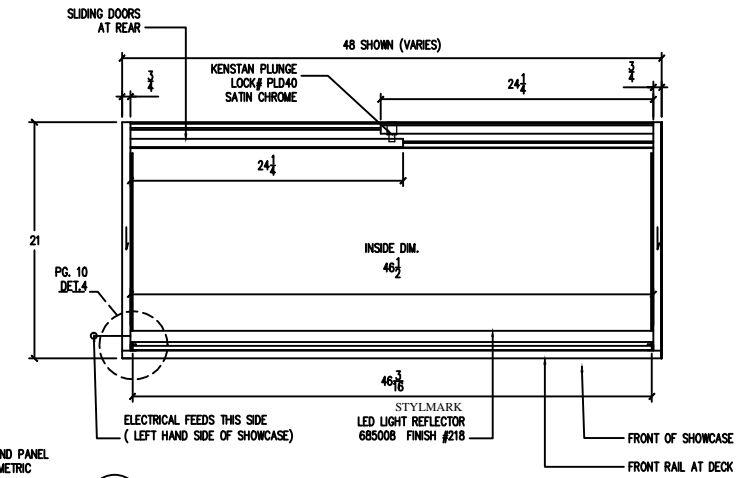
Creative Custom Cabinets Inc.	
Job Name	Cedar Park Jewelry
Job Number	601 East Whitestone Blvd
Address	Cedar Park TX. 78613
City/State	Designs by French
Designer	
Contractor	
Date	03/30/10
Sheet Number	4



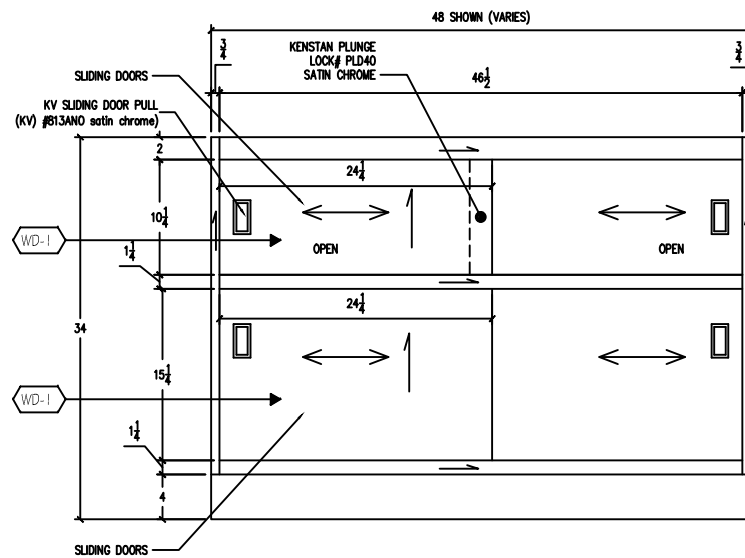
1 FRONT ELEVATION @ CPJ-48ADA-V1
 1-1/2"=1'-0" CEDAR PARK JEWELRY / FULL HEIGHT SECURITY SHOWCASE
 EXTERIOR WD-1: Plain Sliced Maple on 3/4" MDF; Finish to match existing
 INTERIOR : 3/4" MDF; Finish to match existing



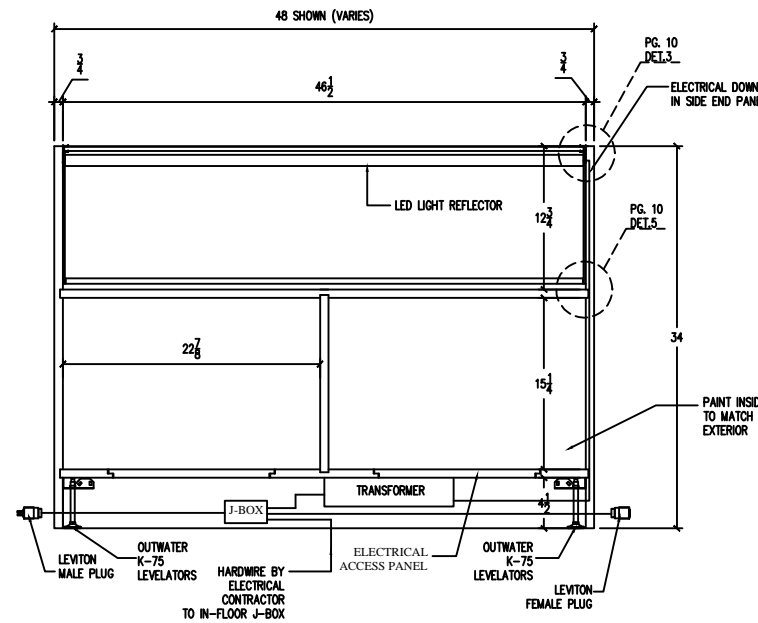
3 PLAN VIEW @ CPJ-48ADA-V1
 1-1/2"=1'-0" CEDAR PARK JEWELRY / FULL HEIGHT SECURITY SHOWCASE
 EXTERIOR WD-1: Plain Sliced Maple on 3/4" MDF; Finish to match existing
 INTERIOR : 3/4" MDF; Finish to match existing



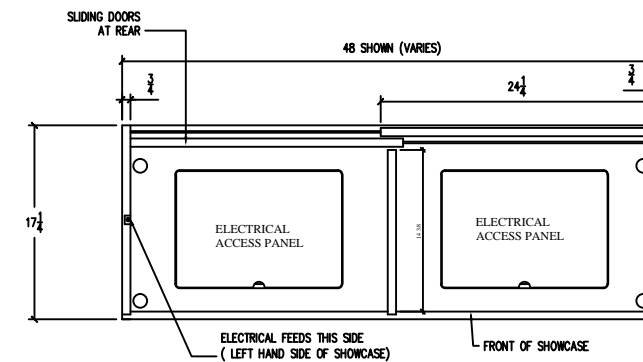
5 PLAN SECTION @ CPJ-48ADA-V1
 1-1/2"=1'-0" CEDAR PARK JEWELRY / FULL HEIGHT SECURITY SHOWCASE
 EXTERIOR WD-1: Plain Sliced Maple on 3/4" MDF; Finish to match existing
 INTERIOR : 3/4" MDF; Finish to match existing



2 REAR ELEVATION @ CPJ-48ADA-V1
 1-1/2"=1'-0" CEDAR PARK JEWELRY / FULL HEIGHT SECURITY SHOWCASE
 EXTERIOR WD-1: Plain Sliced Maple on 3/4" MDF; Finish to match existing
 INTERIOR : 3/4" MDF; Finish to match existing



4 SECTION @ REAR CPJ-48ADA-V1
 1-1/2"=1'-0" CEDAR PARK JEWELRY / FULL HEIGHT SECURITY SHOWCASE
 EXTERIOR WD-1: Plain Sliced Maple on 3/4" MDF; Finish to match existing
 INTERIOR : 3/4" MDF; Finish to match existing



6 PLAN SECTION @ CPJ-48ADA-V1
 1-1/2"=1'-0" CEDAR PARK JEWELRY / FULL HEIGHT SECURITY SHOWCASE
 EXTERIOR WD-1: Plain Sliced Maple on 3/4" MDF; Finish to match existing
 INTERIOR : 3/4" MDF; Finish to match existing

Notes/Comments
 1) OWNER TO PROVIDE SHOWCASE LIGHTING
 2) MIRRORS TO BE LOCATED AT INSIDE VISUAL AREA OF SHOWCASE END PANELS
 3) MIRRORS TO BE PROVIDED AT EXISTING SHOWCASES: **OPTIONAL**.
 4) OWNER TO DEMO EXISTING WALL AND RELOCATE ELECTRICAL FOR NEW SHOWCASES AS NEEDED. COORDINATE WITH FIXTURE CONTRACTOR.
 5)
 6)

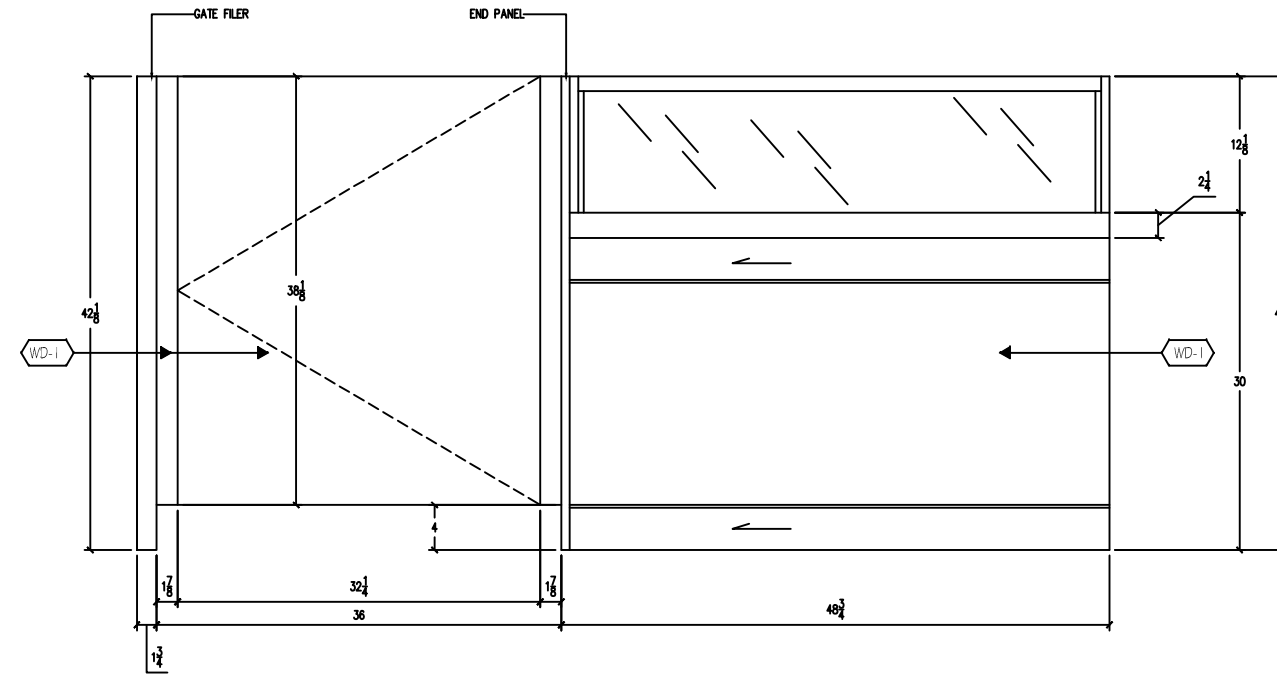
Submittal Log		Drawn By
First Submittal	03/16/10	JF
THIRD Submittal	03/30/10	JF
Issued For Production	--	
Issued For Installation	--	
----	--	
----	--	
----	--	
----	--	

Materials
 Cabinet Doors and Extensiors- WD-1 Plain Sliced Maple on 3/4" MDF; Finish to match existing
 Edgebanding - Maple Edge Tape
 Showcase INTERIORS : 3/4" MDF; Finish to match existing

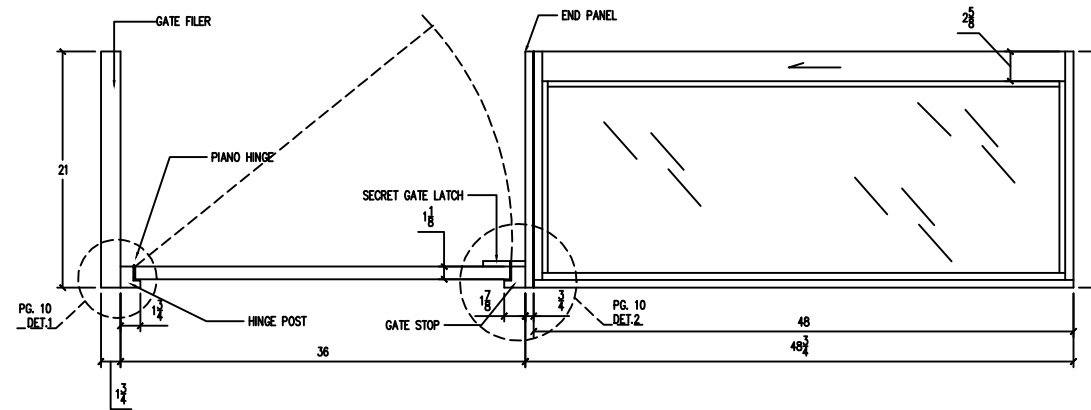
Hardware
 Showcase metal - Stylmark # 218 Brushed Bnte Stainless steel
 Locks- Kenstan:Disc Tumbler Line;Plunger Lock Satin Nickel
 Pulls - Flush Mount Pulls, Satin Nickel

Elevation Info	
Room	Showcase ELEVATION
Arch Ref	
Production/Install Info	
Production	
Finish	
Install	
Scale	1-1/2"=1'-0"

Creative Custom Cabinets Inc.	
Job Name	Cedar Park Jewelry
Job Number	601 East Whitestone Blvd
Address	Cedar Park TX. 78613
City/State	Designs by French
Designer	
Contractor	
Date	03/30/10
Sheet Number	5



1 ELEVATION @ GATE
 1-1/2"=1'-0"
 CEDAR PARK JEWELRY / FULL HEIGHT END
 EXTERIOR WD-1: Plain Sliced Maple on 3/4" MD; Finish to match existing



2 PLAN VIEW @ CPJ-GATE
 1-1/2"=1'-0"
 CEDAR PARK JEWELRY / FULL HEIGHT GATE
 EXTERIOR WD-1: Plain Sliced Maple on 3/4" MD; Finish to match existing

Notes/Comments
1) OWNER TO PROVIDE SHOWCASE LIGHTING
2) MIRRORS TO BE LOCATED AT INSIDE VISUAL AREA OF SHOWCASE END PANELS
3) MIRRORS TO BE PROVIDED AT EXISTING SHOWCASES: OPTIONAL .
4) OWNER TO DEMO EXISTING WALL AND RELOCATE ELECTRICAL FOR NEW SHOWCASES AS NEEDED. <u>COORDINATE WITH FIXTURE CONTRACTOR.</u>
5)
6)

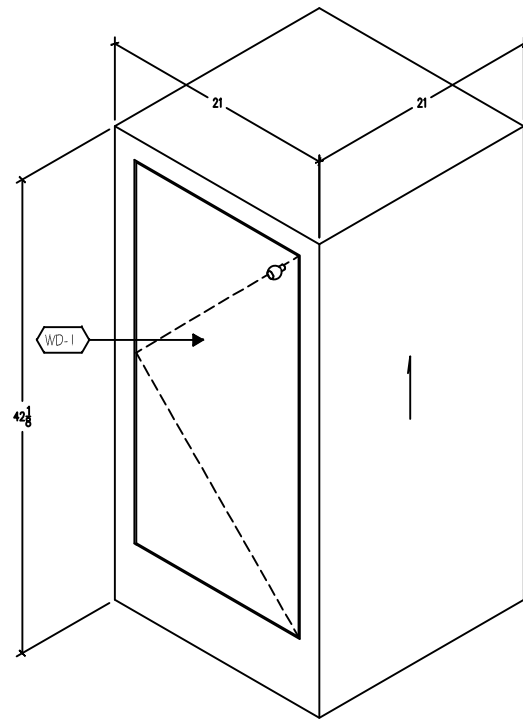
Submittal Log		Drawn By
First Submittal	03/16/10	JF
THIRD Submittal	03/30/10	JF
Issued For Production	--	
Issued For Installation	--	
----	--	
----	--	
----	--	
----	--	

Materials
Cabinet Doors and Exteriors- WD-1 Plain Sliced Maple on 3/4" MDF; Finish to match existing
Edgebanding - Maple Edge Tape
Showcase INTERIORS : 3/4" MDF; Finish to match existing

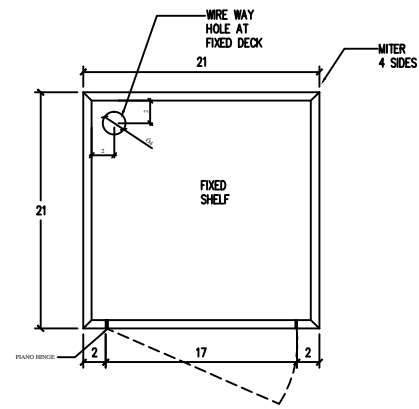
Hardware
Showcase metal - Stylmark # 218 Brushed Brite Stainless steel
Locks- Kenstan:Disc Tumbler Line;Plunger Lock Satin Nickel
Pulls - Flush Mount Pulls, Satin Nickel

Elevation Info	
Room	Showcase GATE
Arch Ref	
Production/Install Info	
Production	
Finish	
Install	
Scale	1/1/2"=1'-0"

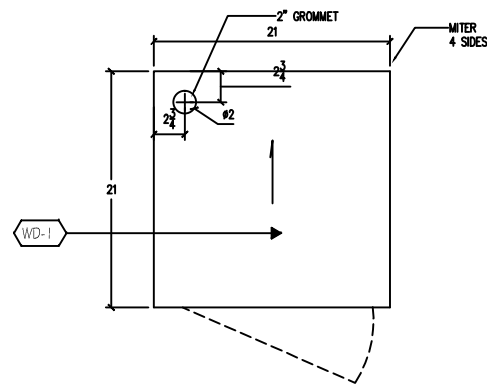
Creative Custom Cabinets Inc.	
Job Name	Cedar Park Jewelry
Job Number	601 East Whitestone Blvd
Address	Cedar Park TX. 78613
City/State	Designs by French
Designer	
Contractor	
Date	03/30/10
Sheet Number	7



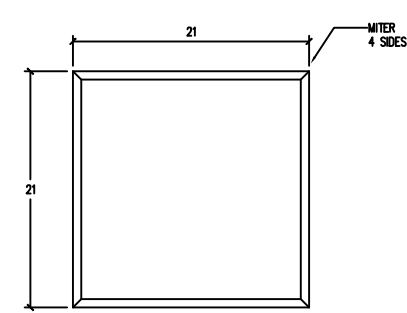
1 ISOMETRIC POS FILLER
 1-1/2" x 1-0" CEDAR PARK JEWELRY / FULL HEIGHT END FILLER
 EXTERIOR WD-1: Flush Sliced Maple on 3/4" MDF; Finish to match existing
 INTERIOR: 3/4" MDF; Finish to match existing



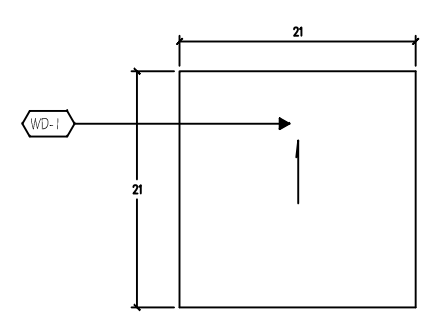
3 PLAN SECTION POS FILLER
 1-1/2" x 1-0" CEDAR PARK JEWELRY / FULL HEIGHT END FILLER
 EXTERIOR WD-1: Flush Sliced Maple on 3/4" MDF; Finish to match existing
 INTERIOR: 3/4" MDF; Finish to match existing



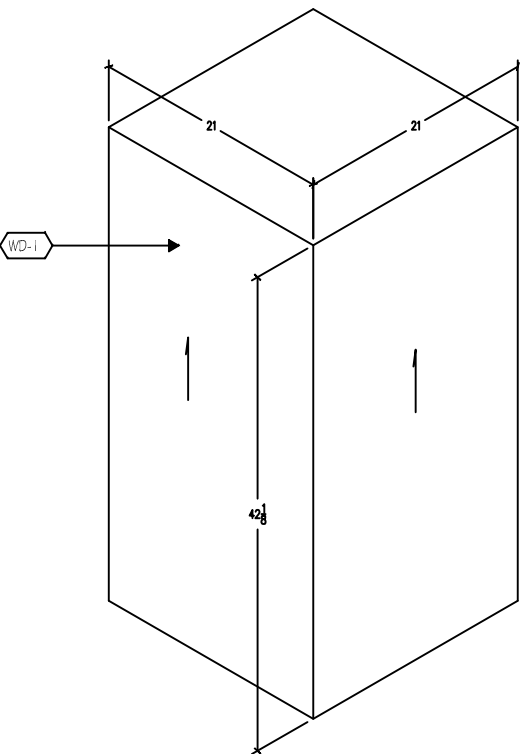
5 PLAN VIEW POS FILLER
 1-1/2" x 1-0" CEDAR PARK JEWELRY / FULL HEIGHT END FILLER
 EXTERIOR WD-1: Flush Sliced Maple on 3/4" MDF; Finish to match existing
 INTERIOR: 3/4" MDF; Finish to match existing



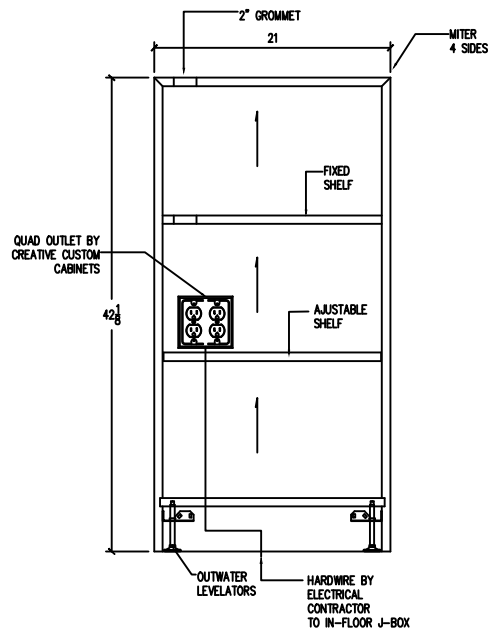
7 PLAN SECTION CORNRT FILLER
 1-1/2" x 1-0" CEDAR PARK JEWELRY / FULL HEIGHT END FILLER
 EXTERIOR WD-1: Flush Sliced Maple on 3/4" MDF; Finish to match existing



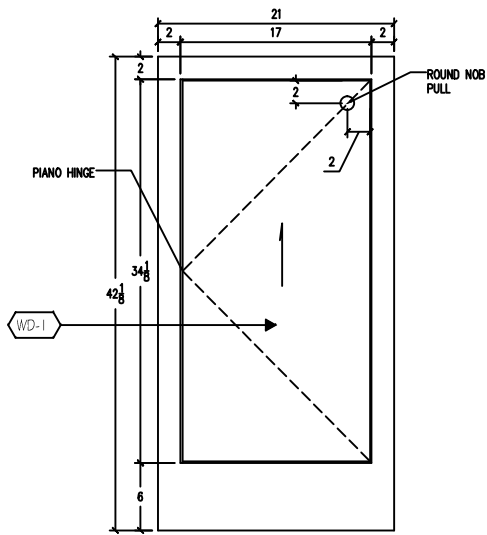
9 PLAN VIEW CORNRT FILLER
 1-1/2" x 1-0" CEDAR PARK JEWELRY / FULL HEIGHT END FILLER
 EXTERIOR WD-1: Flush Sliced Maple on 3/4" MDF; Finish to match existing



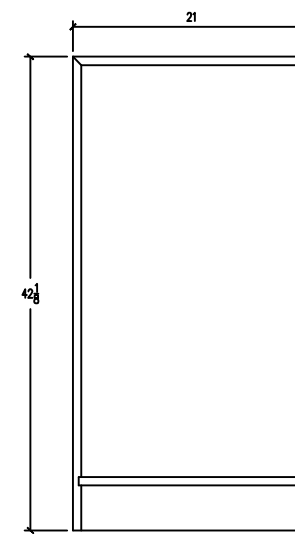
2 ISOMETRIC CORNRT FILLER
 1-1/2" x 1-0" CEDAR PARK JEWELRY / FULL HEIGHT END FILLER
 EXTERIOR WD-1: Flush Sliced Maple on 3/4" MDF; Finish to match existing



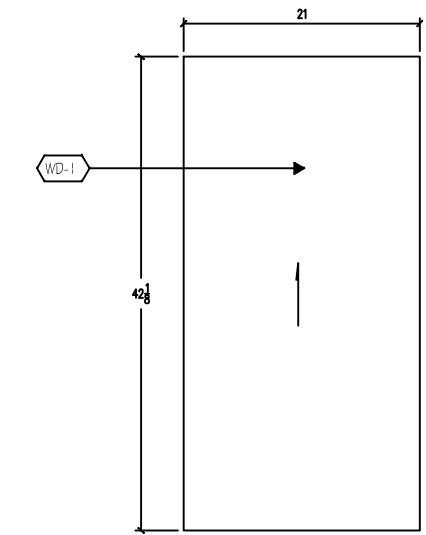
4 SECTION POS FILLER
 1-1/2" x 1-0" CEDAR PARK JEWELRY / FULL HEIGHT END FILLER
 EXTERIOR WD-1: Flush Sliced Maple on 3/4" MDF; Finish to match existing
 INTERIOR: 3/4" MDF; Finish to match existing



6 ELEVATION POS FILLER
 1-1/2" x 1-0" CEDAR PARK JEWELRY / FULL HEIGHT END FILLER
 EXTERIOR WD-1: Flush Sliced Maple on 3/4" MDF; Finish to match existing
 INTERIOR: 3/4" MDF; Finish to match existing



8 SECTION CORNRT FILLER
 1-1/2" x 1-0" CEDAR PARK JEWELRY / FULL HEIGHT END FILLER
 EXTERIOR WD-1: Flush Sliced Maple on 3/4" MDF; Finish to match existing



10 ELEVATION CORNRT FILLER
 1-1/2" x 1-0" CEDAR PARK JEWELRY / FULL HEIGHT END FILLER
 EXTERIOR WD-1: Flush Sliced Maple on 3/4" MDF; Finish to match existing

Notes/Comments
 1) OWNER TO PROVIDE SHOWCASE LIGHTING
 2) MIRRORS TO BE LOCATED AT INSIDE VISUAL AREA OF SHOWCASE END PANELS
 3) MIRRORS TO BE PROVIDED AT EXISTING SHOWCASES: **OPTIONAL**.
 4) OWNER TO DEMO EXISTING WALL AND RELOCATE ELECTRICAL FOR NEW SHOWCASES AS NEEDED. COORDINATE WITH FIXTURE CONTRACTOR.
 5)
 6)

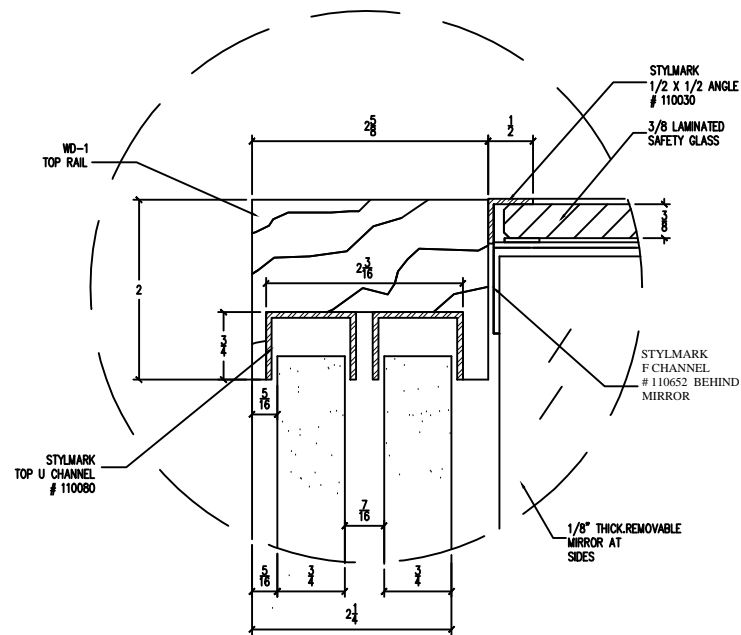
Submittal Log		Drawn By
First Submittal	03/16/10	JF
THIRD Submittal	03/30/10	JF
Issued For Production	--	
Issued For Installation	--	
----	--	
----	--	
----	--	
----	--	

Materials
 Cabinet Doors and Extensors- WD-1 Plain Sliced Maple on 3/4" MDF; Finish to match existing
 Edgebanding - Maple Edge Tape
 Showcase INTERIORS : 3/4" MDF; Finish to match existing

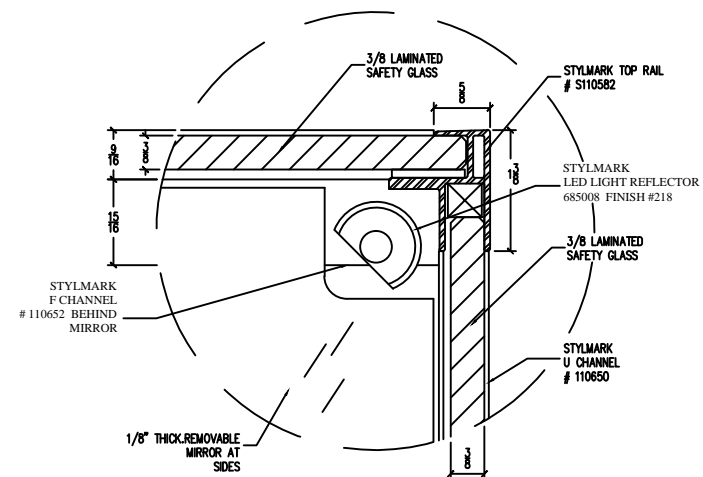
Hardware
 Showcase metal - Stylmark # 2118 Brushed Brnte Stainless steel
 Locks- Kenstan:Disc Tumbler Line;Plunger Lock Satin Nickel
 Pulls - Flush Mount Pulls, Satin Nickel

Elevation Info	
Room	CORNER FILLERS
Arch Ref	
Production/Install Info	
Production	
Finish	
Install	
Scale	1-1/2"=1'-0"

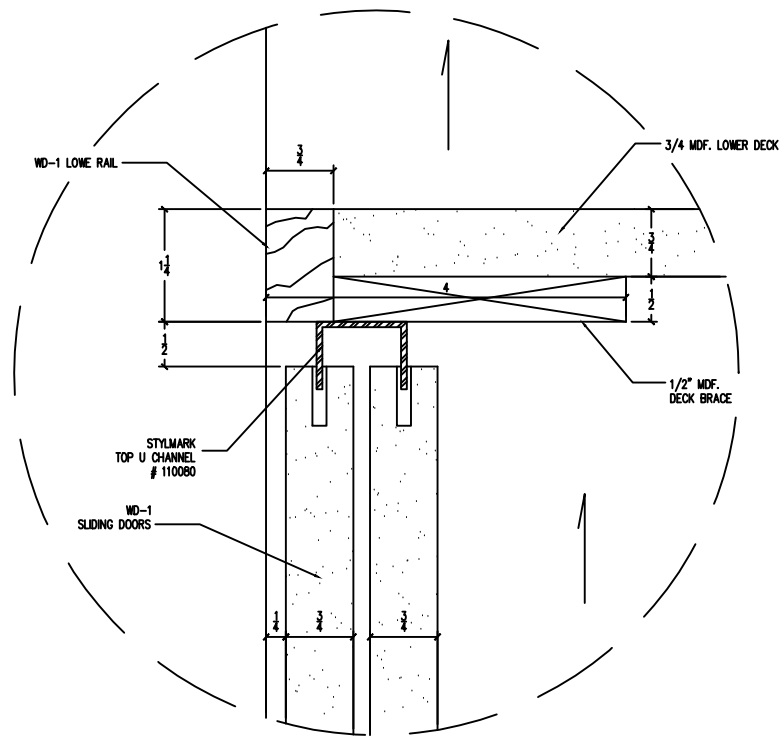
Creative Custom Cabinets Inc.	
Job Name	Cedar Park Jewelry
Job Number	601 East Whitestone Blvd
Address	Cedar Park TX. 78613
City/State	Designs by French
Designer	
Contractor	
Date	03/30/10
Sheet Number	8



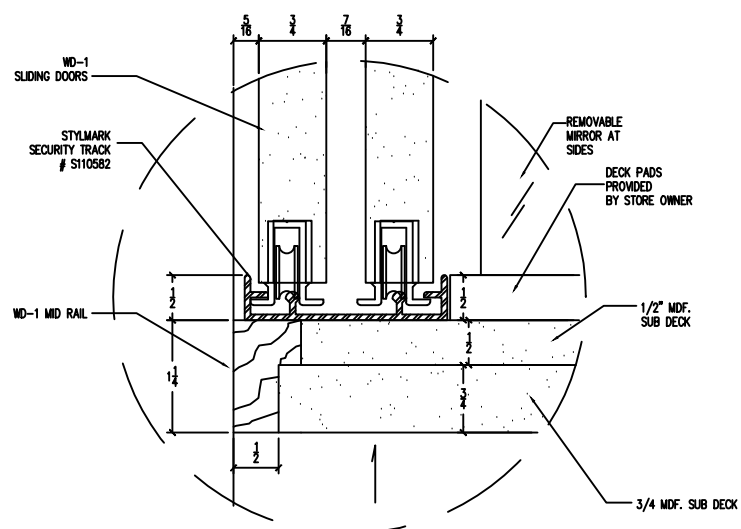
1 DETAIL @ TOP RAIL @ REAR
FULL SCALE WD-1 PLAIN SLICED MAPLE



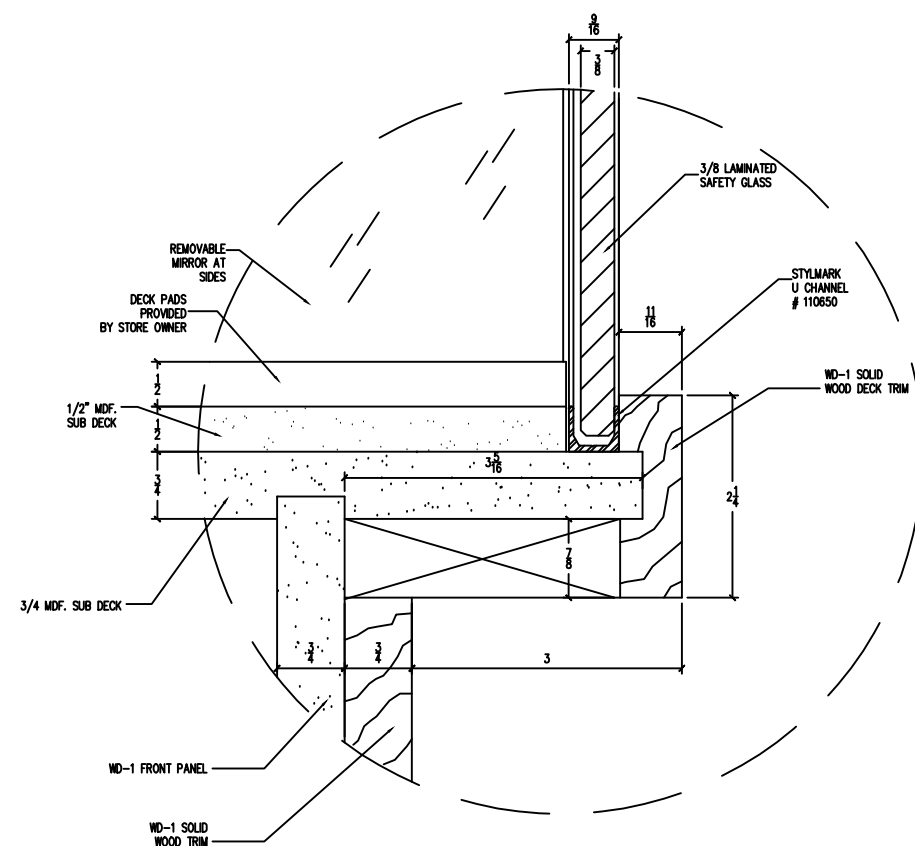
3 DETAIL @ TOP RAIL @ FRONT
FULL SCALE WD-1 PLAIN SLICED MAPLE



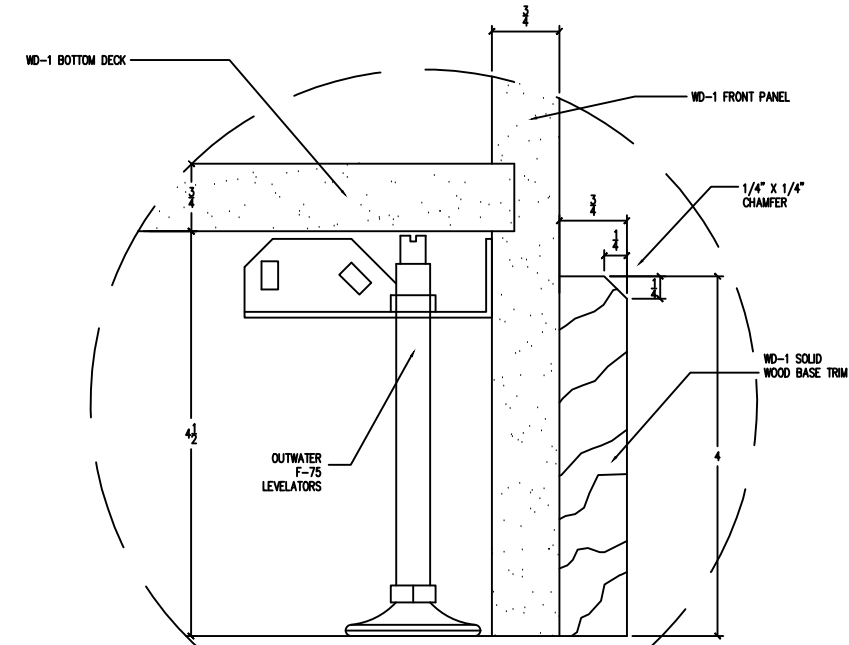
5 DETAIL @ LOWER RAIL @ REAR
FULL SCALE WD-1 PLAIN SLICED MAPLE



2 DETAIL @ SECURITY TRACK
FULL SCALE WD-1 PLAIN SLICED MAPLE



4 DETAIL @ DECK TRIM
FULL SCALE WD-1 PLAIN SLICED MAPLE



6 DETAIL @ BASE
FULL SCALE WD-1 PLAIN SLICED MAPLE

Notes/Comments
 1) OWNER TO PROVIDE SHOWCASE LIGHTING
 2) MIRRORS TO BE LOCATED AT INSIDE VISUAL AREA OF SHOWCASE END PANELS
 3) MIRRORS TO BE PROVIDED AT EXISTING SHOWCASES: OPTIONAL.
 4) OWNER TO DEMO EXISTING WALL AND RELOCATE ELECTRICAL FOR NEW SHOWCASES AS NEEDED. COORDINATE WITH FIXTURE CONTRACTOR.
 5)
 6)

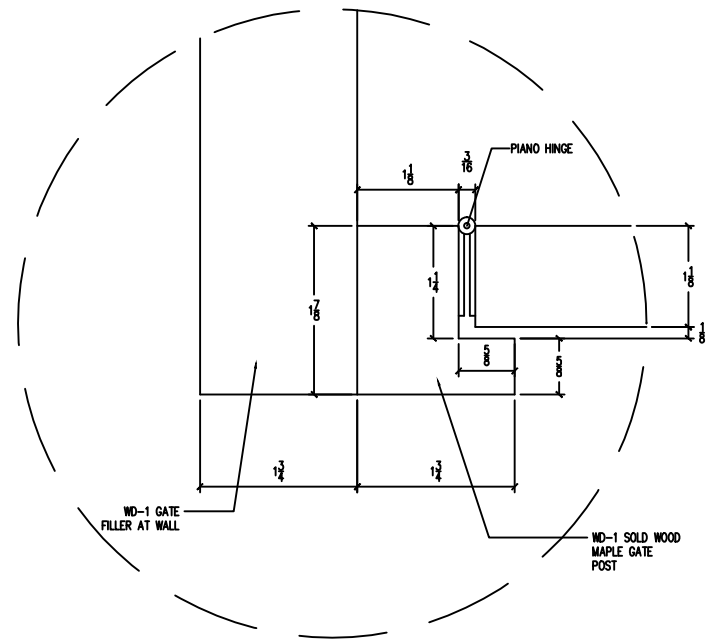
Submittal Log		Drawn By
First Submittal	03/16/10	JF
THIRD Submittal	03/30/10	JF
Issued For Production	--	
Issued For Installation	--	
----	--	
----	--	
----	--	

Materials
 Cabinet Doors and Extensiors- WD-1 Plain Sliced Maple on 3/4\"/>

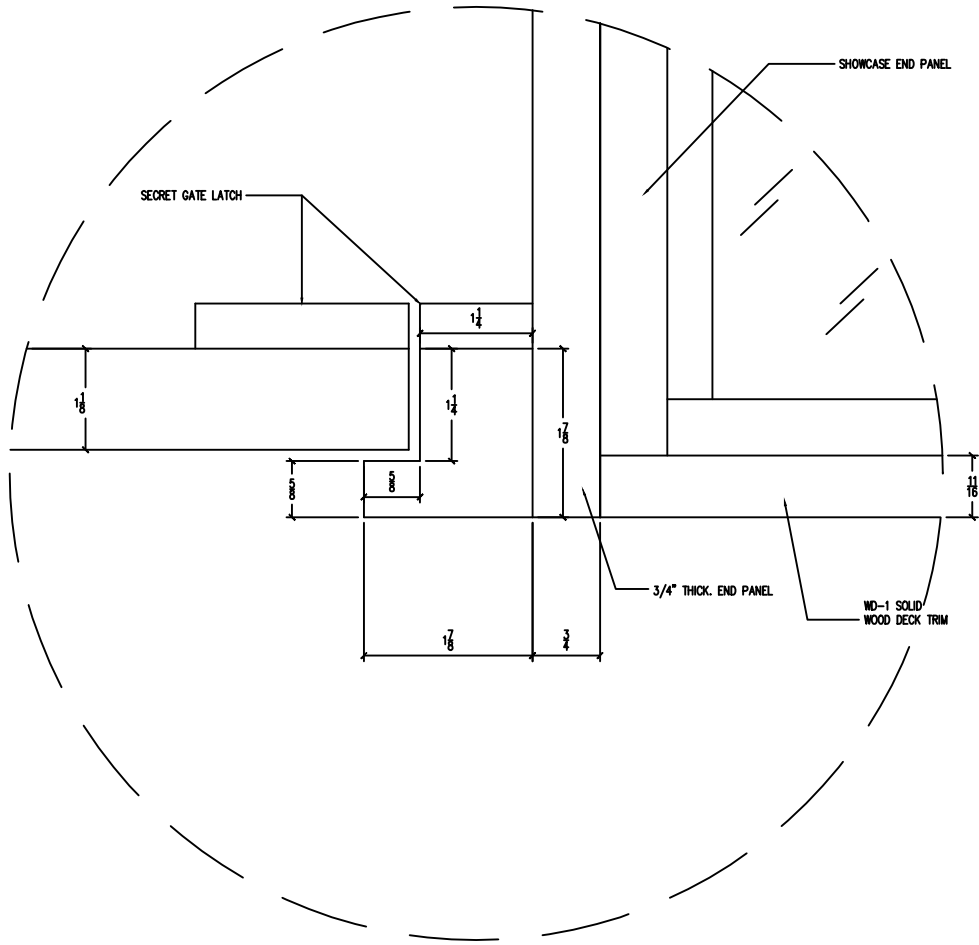
Hardware
 Showcase metal - Stylmark # 218 Brushed Brite Stainless steel
 Locks- Kenstan:Disc Tumbler Line;Plunger Lock Satin Nickel
 Pulls - Flush Mount Pulls, Satin Nickel

Elevation Info	
Room	Showcase DETAILS
Arch Ref	
Production/Install Info	
Production	
Finish	
Install	
Scale	FULL SCALE

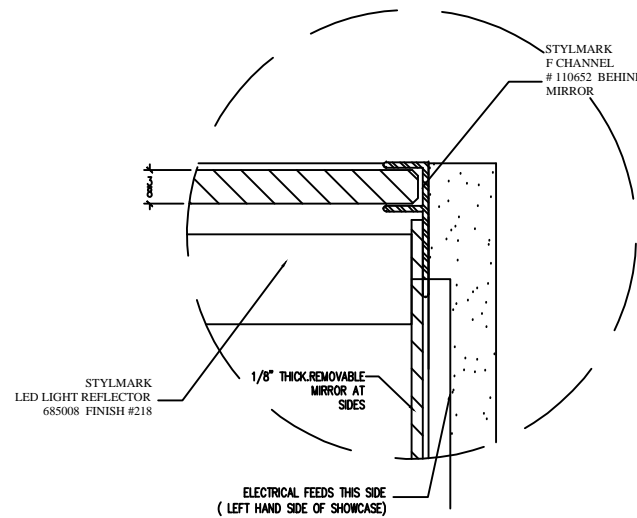
Creative Custom Cabinets Inc.	
Job Name	Cedar Park Jewelry
Job Number	601 East Whitestone Blvd
Address	Cedar Park TX. 78613
City/State	Designs by French
Designer	
Contractor	
Date	03/30/10
Sheet Number	9



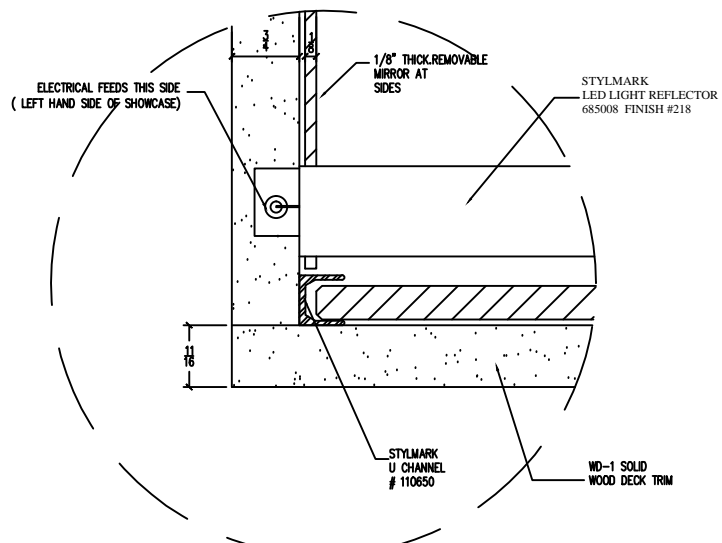
1) **DETAIL @ GATE HINGE POST**
FULL SCALE WD-1 PLAIN SLICED MAPLE



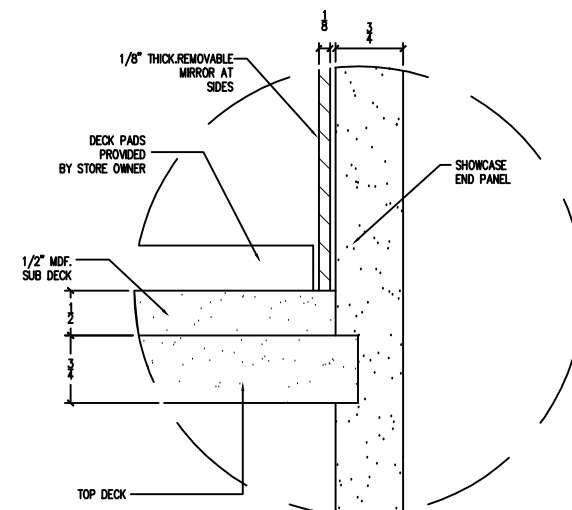
2) **DETAIL @ GATE LATCH POST**
FULL SCALE WD-1 PLAIN SLICED MAPLE



3) **DETAIL @ LIGHT RAIL @ FRONT**
FULL SCALE WD-1 PLAIN SLICED MAPLE



4) **DETAIL @ LIGHT RAIL FROM TOP**
FULL SCALE WD-1 PLAIN SLICED MAPLE



5) **DETAIL @ END AT TOP DECK**
FULL SCALE WD-1 PLAIN SLICED MAPLE

Notes/Comments
1) OWNER TO PROVIDE SHOWCASE LIGHTING
2) MIRRORS TO BE LOCATED AT INSIDE VISUAL AREA OF SHOWCASE END PANELS
3) MIRRORS TO BE PROVIDED AT EXISTING SHOWCASES: OPTIONAL.
4) OWNER TO DEMO EXISTING WALL AND RELOCATE ELECTRICAL FOR NEW SHOWCASES AS NEEDED. <u>COORDINATE WITH FIXTURE CONTRACTOR.</u>
5)
6)

Submittal Log		Drawn By
First Submittal	03/16/10	JF
Second Submittal	03/30/10	JF
Issued For Production	--	
Issued For Installation	--	
----	--	
----	--	
----	--	
----	--	

Materials
Cabinet Doors and Extensers- WD-1 Plain Sliced Maple on 3/4" MDF; Finish to match existing
Edgebanding - Maple Edge Tape
Showcase INTERIORS : 3/4" MDF; Finish to match existing

Hardware
Showcase metal - Stylmark # 218 Brushed Brite Stainless steel
Locks- Kenstan-Disc Tumbler Line;Plunger Lock Satin Nickel
Pulls - Flush Mount Pulls, Satin Nickel

Elevation Info	
Room	Showcase DETAILS
Arch Ref	
Production/Install Info	
Production	
Finish	
Install	
Scale	FULL SCALE

Creative Custom Cabinets Inc.	
Job Name	Cedar Park Jewelry
Job Number	601 East Whitestone Blvd
Address	Cedar Park TX. 78613
City/State	Designs by French
Designer	
Contractor	
Date	03/30/10
Sheet Number	10

