

Maki Restaurant  
 454 West 2nd Street  
 Austin, TX 78701

General Millwork Notes

- Verify all field dimensions and site conditions before fabrication.
- Acquire all necessary appliance and equipment cut sheets before fabrication.
- Verify field conditions are acceptable before delivery and/or installation of product.
- Environmental conditions should be operating at the level designated for building occupancy for 1 week before delivery.
- If schedule or contractor dictates that woodwork is to be installed in improper field conditions, warranty of such work may be voided.
- These drawings are not field verified. Use of these drawings for layout by other trades is at user's risk.

Table of Contents

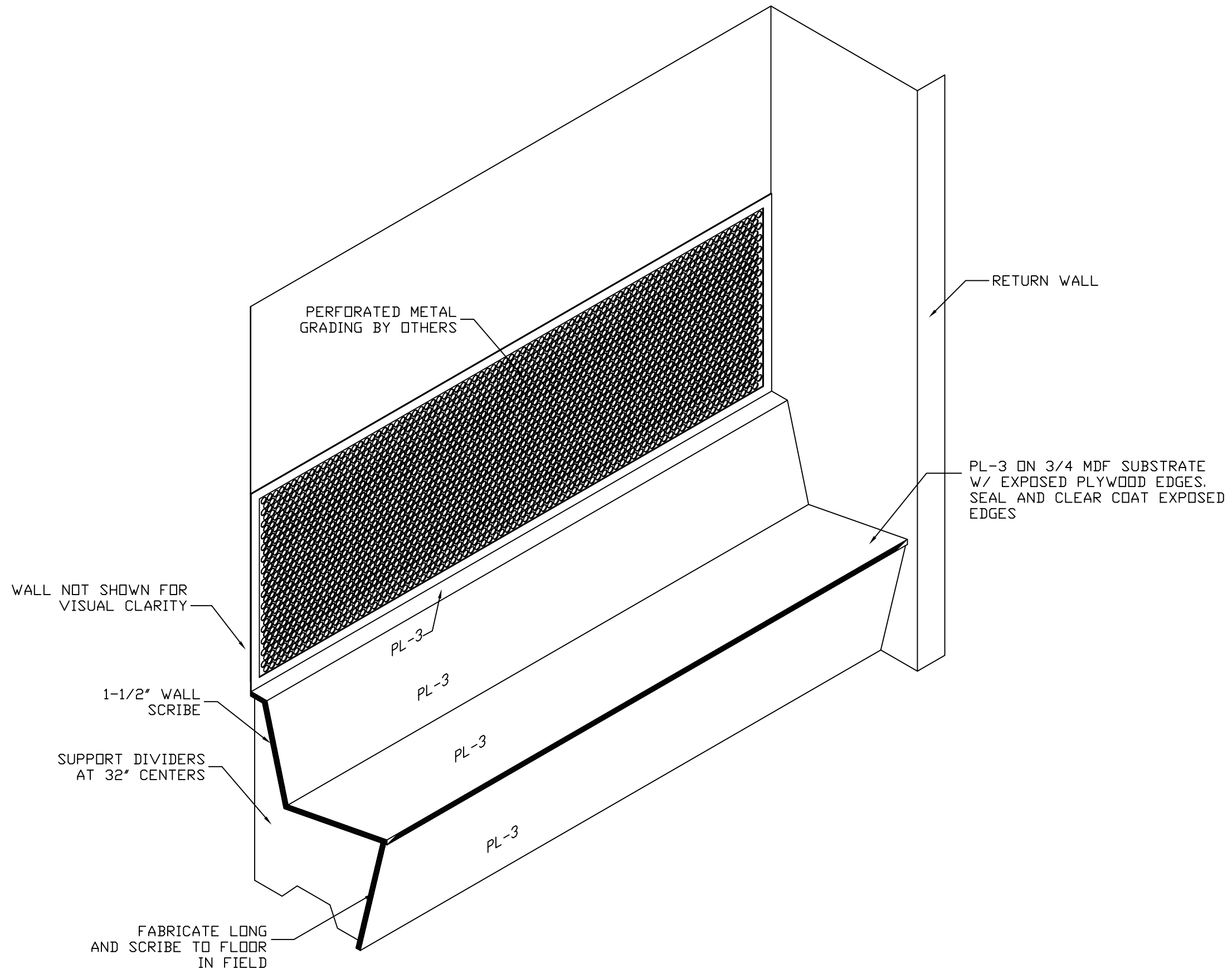
SEATING BOOTH: ISOMETRIC	PG. 1
SEATING BOOTH: ELEVATION	PG. 2
BEVERAGE COUNTER ELEVATION/SECTION	PG. 3
TRAY RETURN CENTER ELEVATION/SECTION	PG. 4
DINING 101: ELEVATION	PG. 5
DINING 102: ELEVATION	PG. 6
DINING: SECTION	PG. 7
SERVERY SHELVING PLAN	PG. 8
SERVERY SHELVING ELEVATION	PG. 9
DETAIL SHEET	PG. 10
MIXED SECTIONS	PG. 11

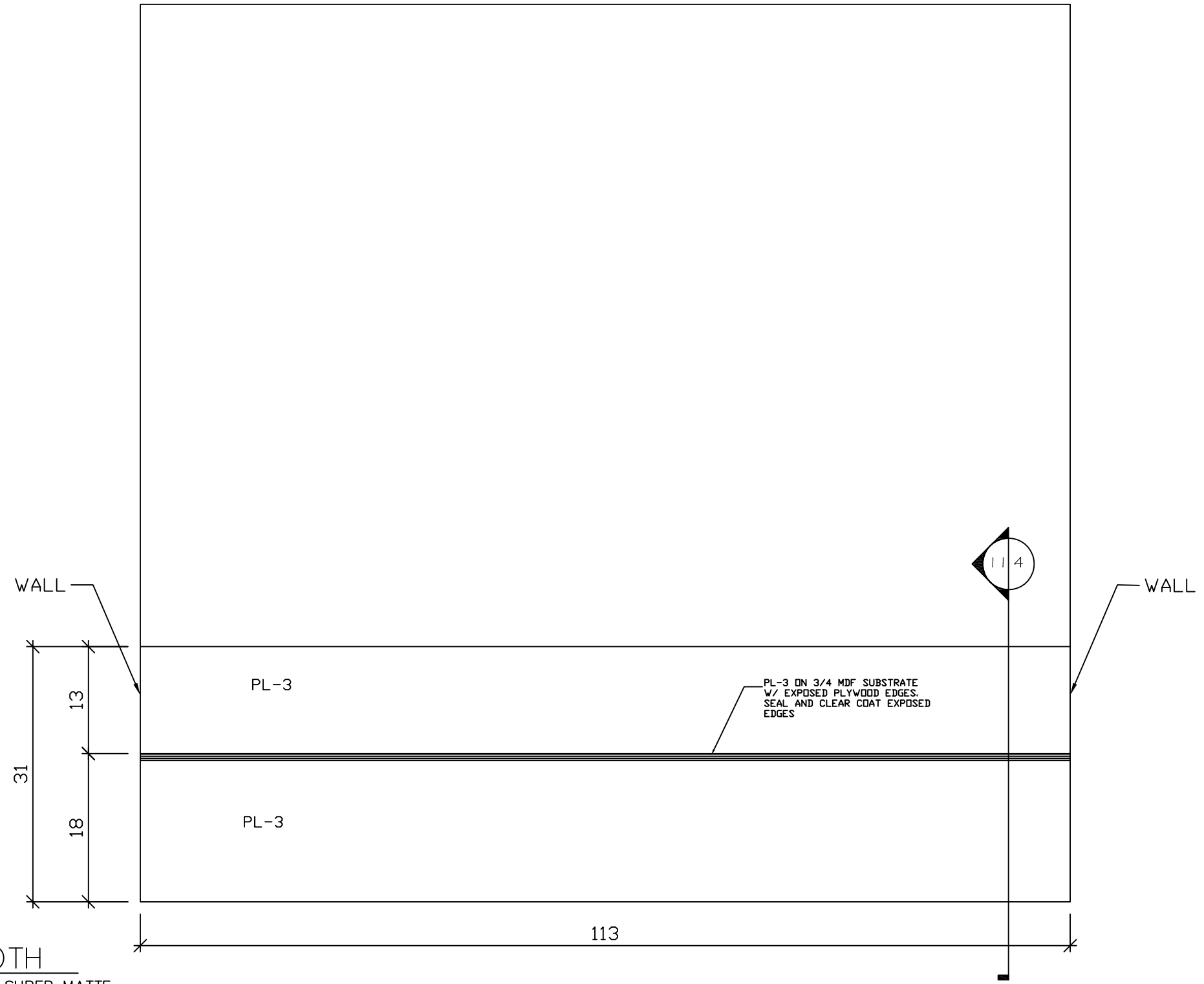
Finish Schedule

PL-1	LAMICOLOR; 1204 SUPER MATTE
PL-2	ABET LAMINATI; 861 SEI
PL-3	LAMICOLOR; 1011 SUPER MATTE
PL-4	ABET LAMINATI; 898 SEI
	ALL INTERIOR SURFACES TO BE WHITE MELAMINE 3/4"

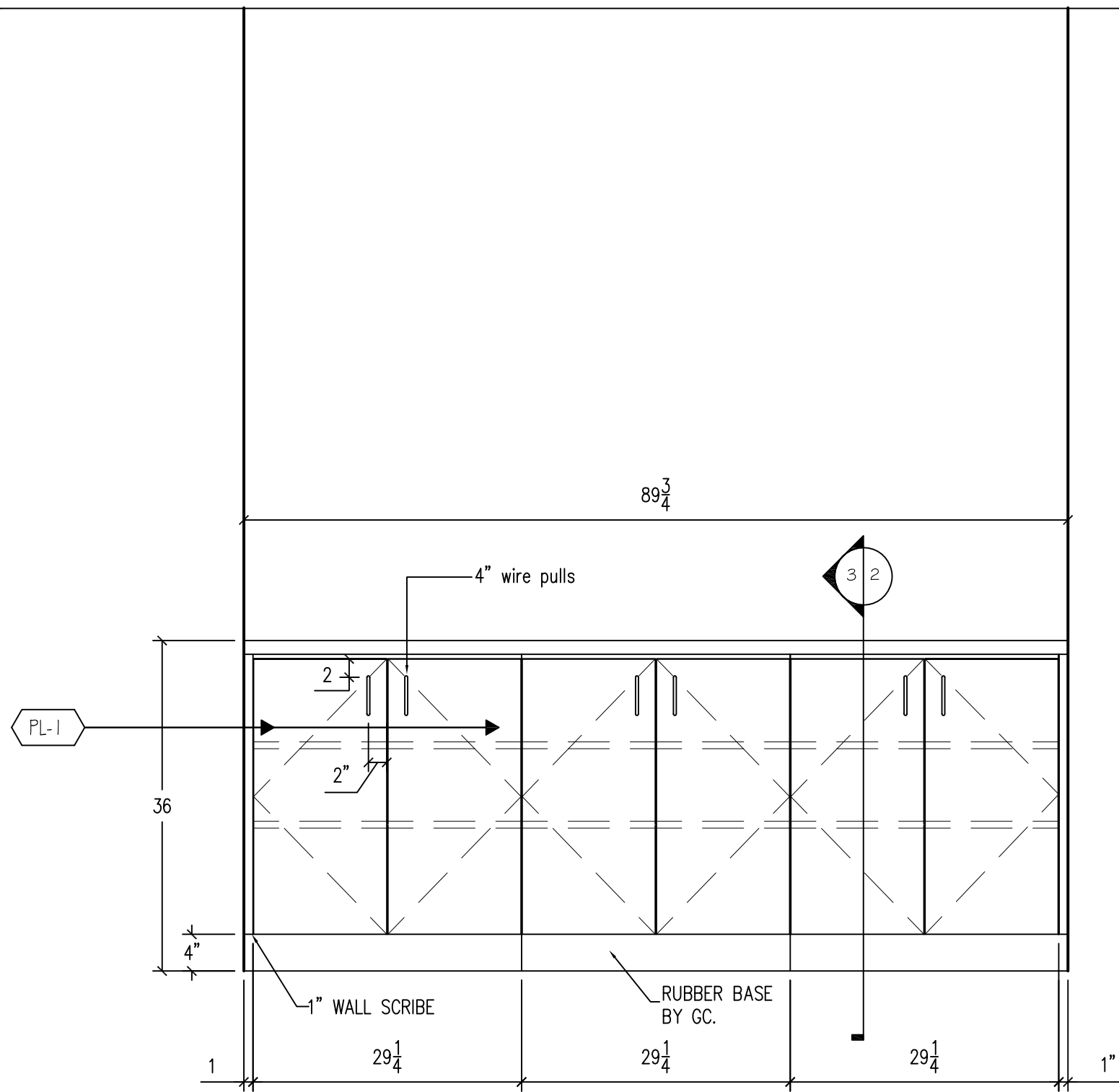
Cabinet Hardware Schedule

Hinges	Blum 120 ° Full Overlay 71T5580
Cabinet Pulls	To be 4" wire pulls US26D

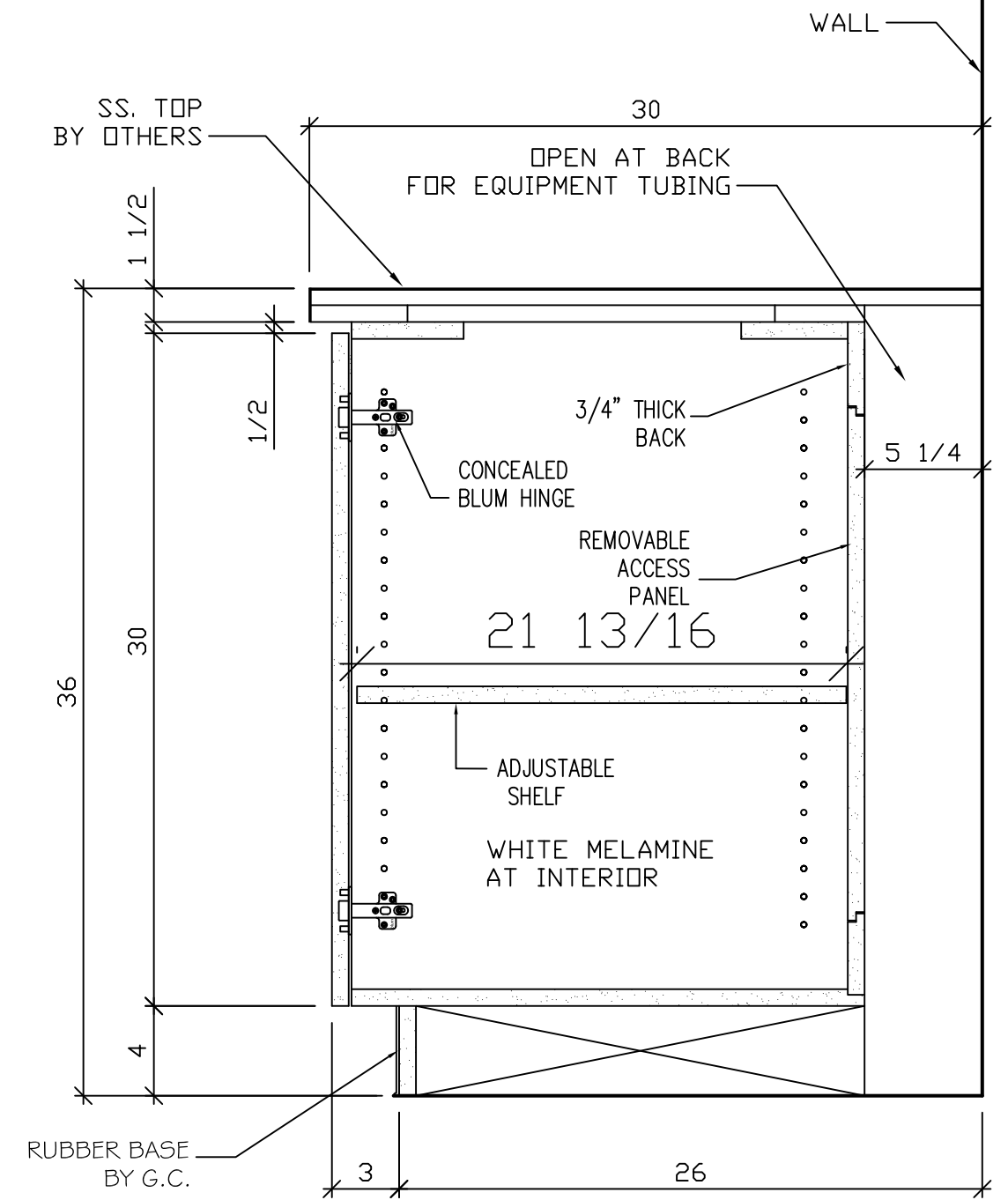




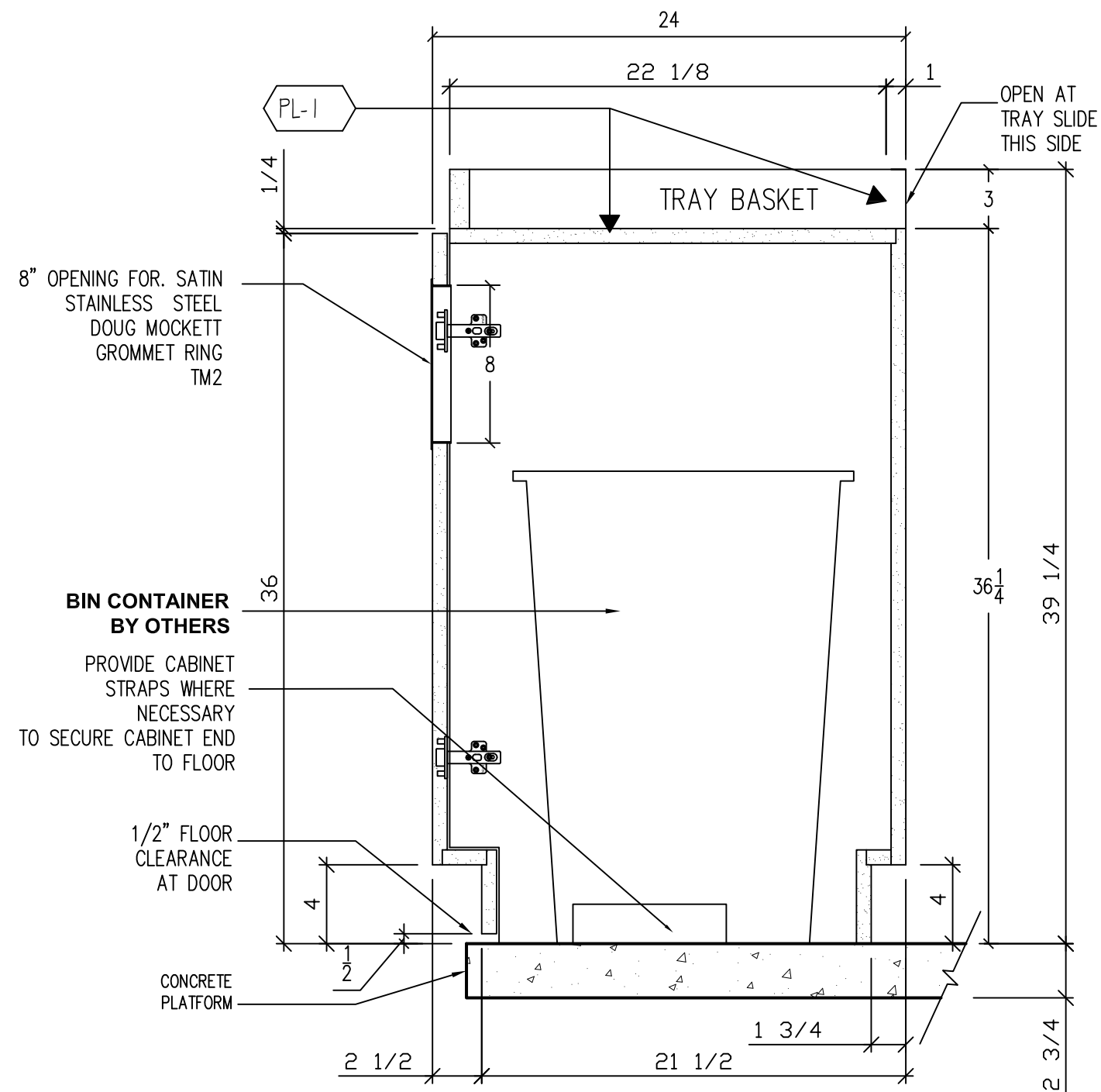
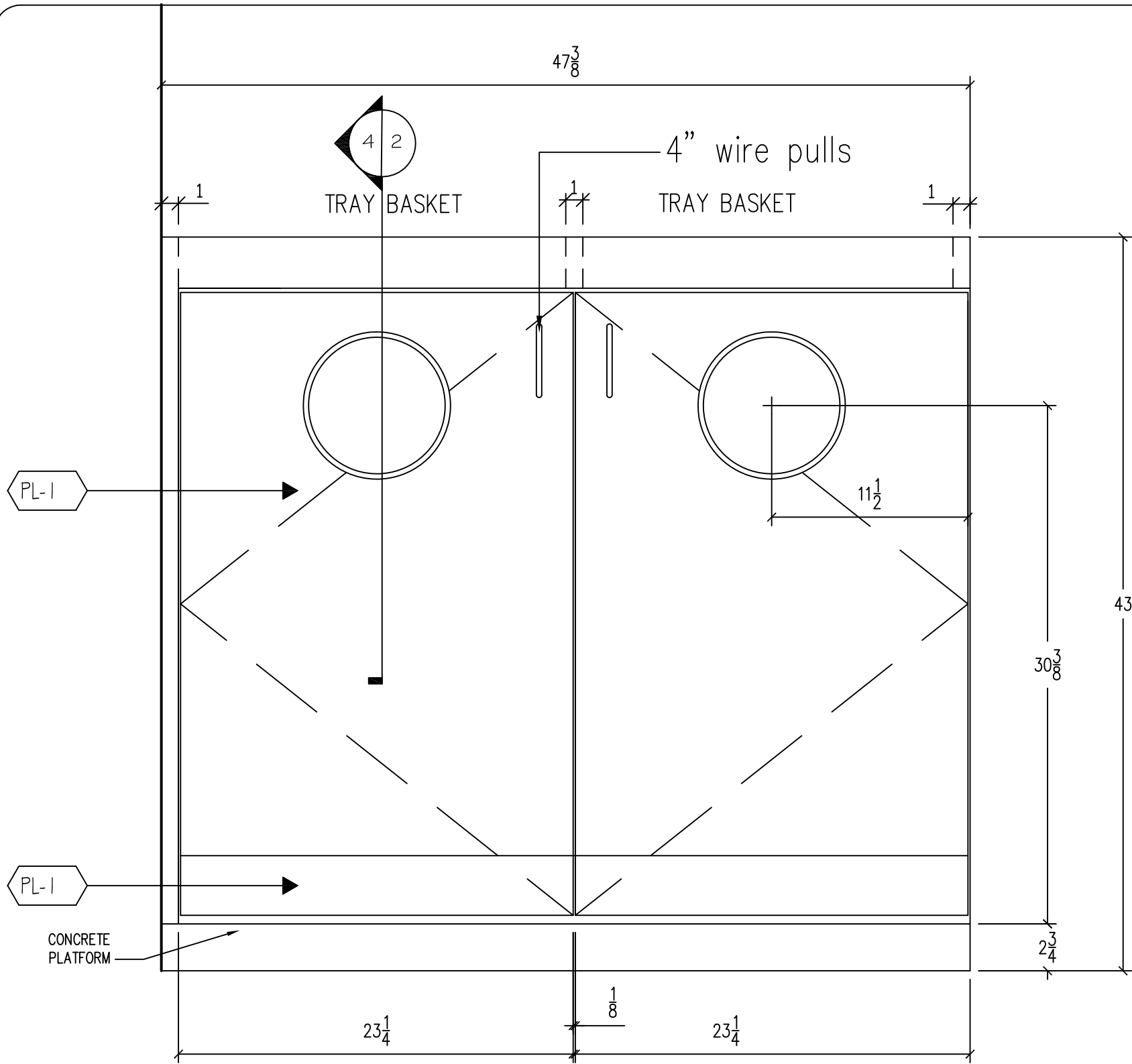
**1** ELEVATION @ TYP. BOOTH  
 3/4" = 1'-0" FACE PL-3 LAMICOLOR; 1011 SUPER MATTE  
 REF.ELEV. 5/A3.0 ARCH



1 ELEVATION @ BEVERAGE COUNTER 102 (EAST WALL)  
 3/4" = 1'-0" FACE PL-1: LAMICOLOR; 1204 SUPER MATTE  
 VERIFY HT. W/ KITCHEN EQUIP.  
 REF.ELEV. 5/A3.0 ARCH INTERIOR WHITE MELAMINE

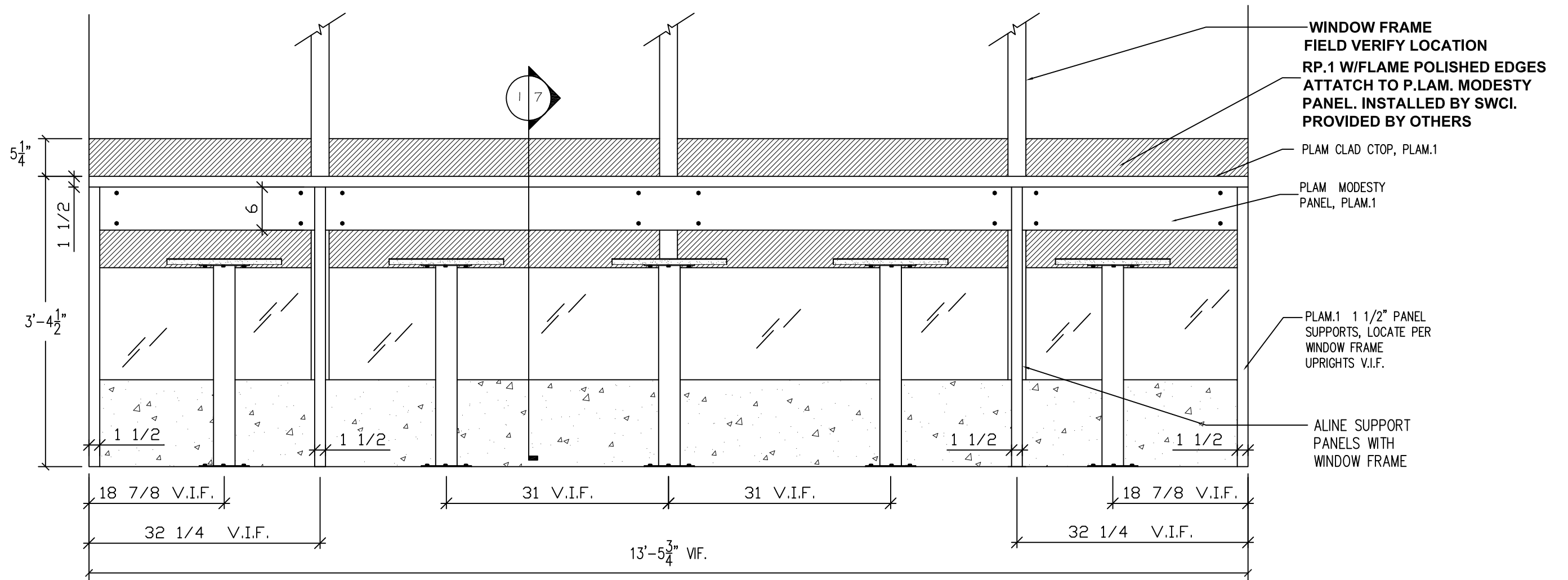


2 SECTION  
 1 1/2" = 1'-0"  
 VERIFY HT. W/ KITCHEN EQUIP.

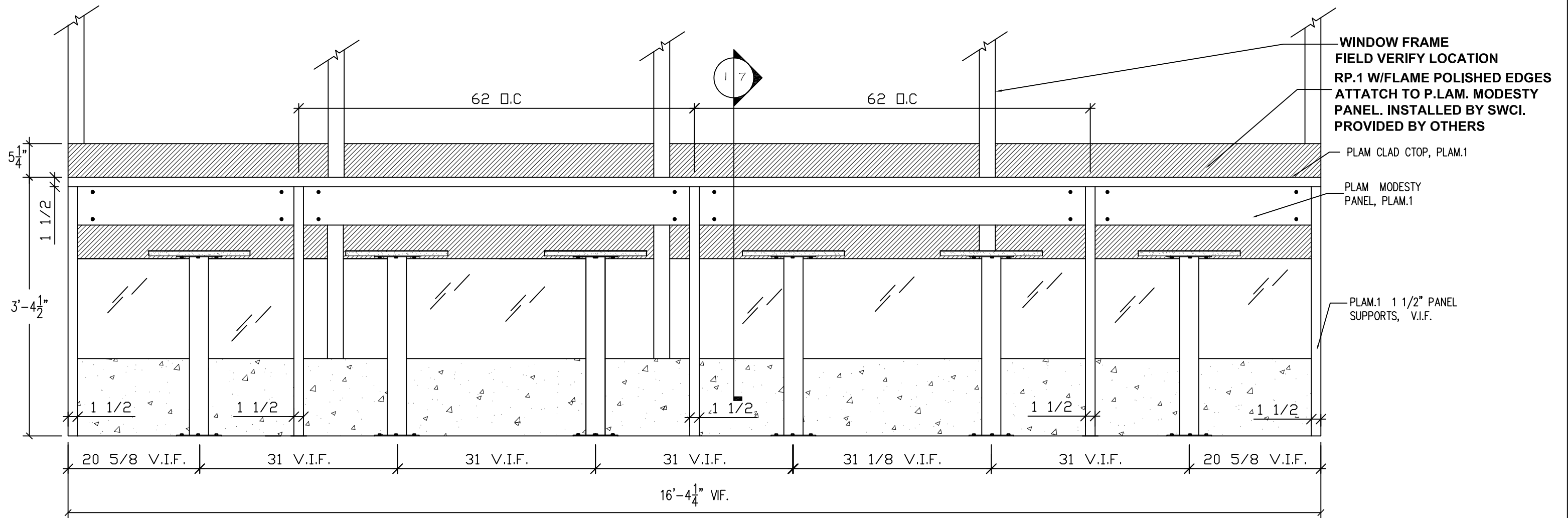


1 SECTION @ TRASH/RECYCLE/TRAY RETURN CENTER  
 1 1/2" = 1'-0" FACE PL-1: LAMICOLOR; 1204 SUPER MATTE  
 INTERIOR WHITE MELAMINE  
 REF. ELEV.3/A3.0 ARCH

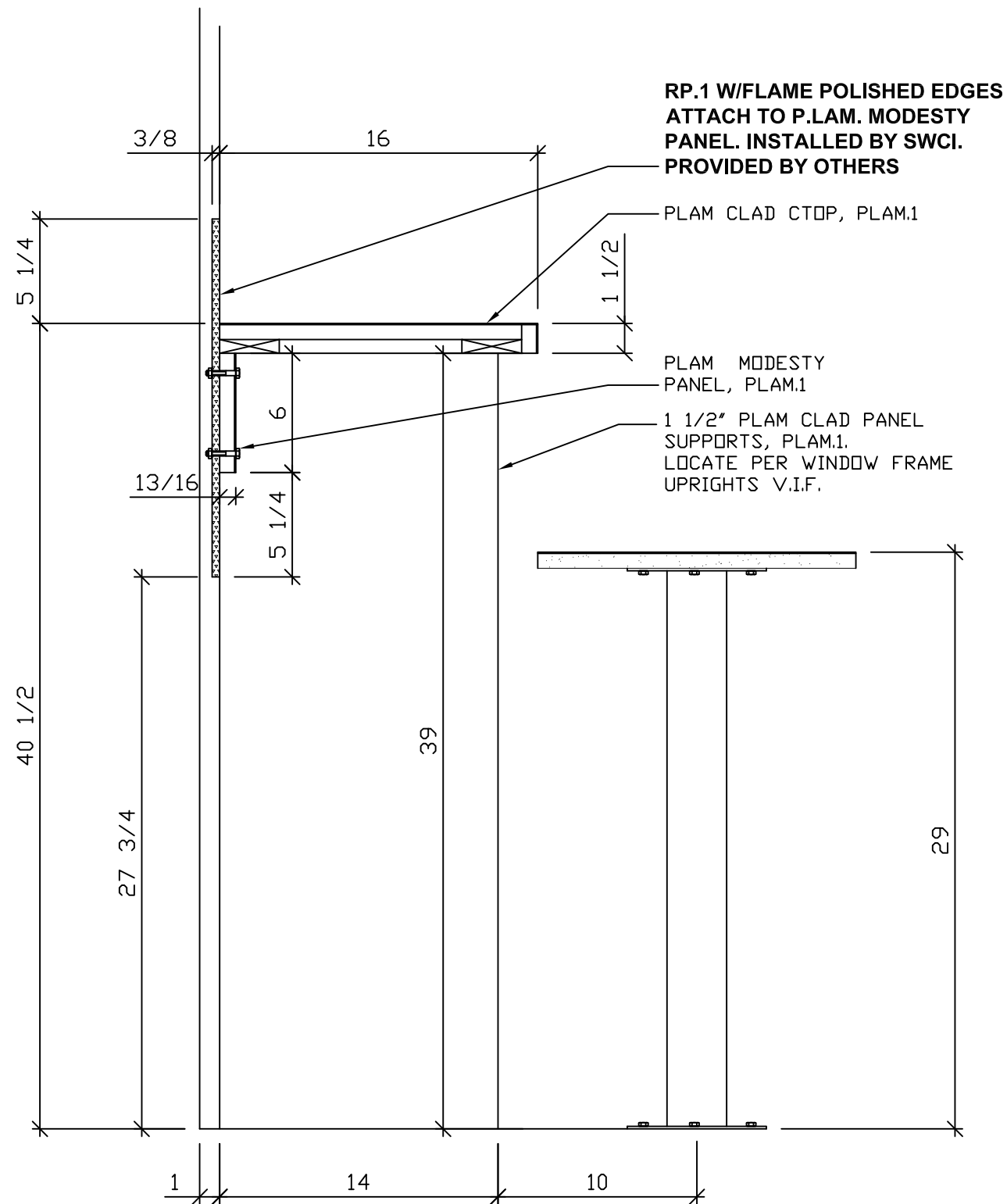
2 SECTION  
 1 1/2" = 1'-0"  
 INTERIOR WHITE MELAMINE



1 ELEVATION @ DINING 101 (SOUTH WALL)  
 3/4" = 1'-0" FACE PL-1: LAMICOLOR; 1204 SUPER MATTE  
 VERIFY WINDOW FRAME UPRIGHT LOCATIONS  
 REF.ELEV. 1/A3.0 ARCH



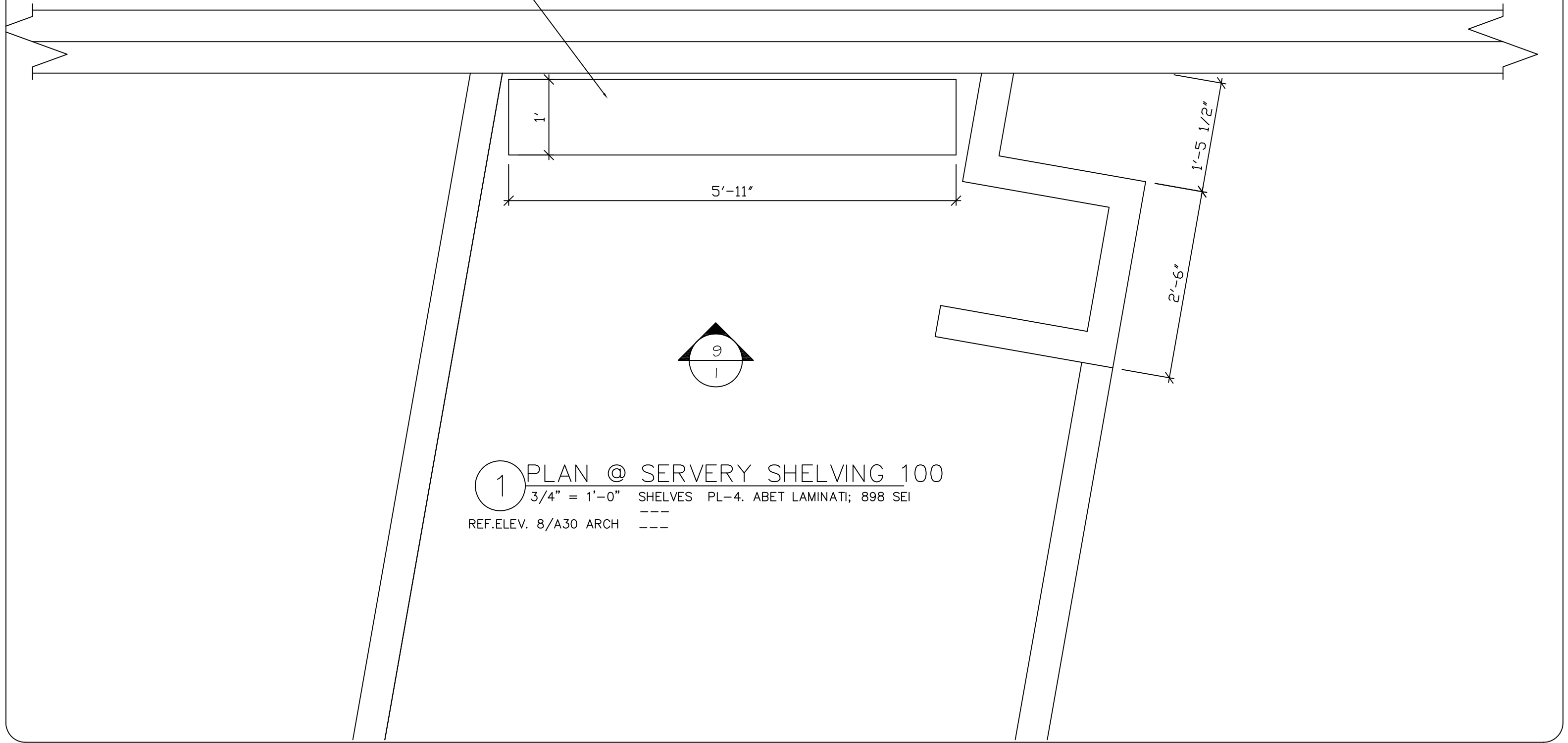
**1** ELEVATION @ DINING 102 (WEST WALL)  
 3/4" = 1'-0" FACE PL-1: LAMICOLOR; 1204 SUPER MATTE  
 VERIFY WINDOW FRAME UPRIGHT LOCATIONS  
 REF.ELEV. 2/A3.0 ARCH ---



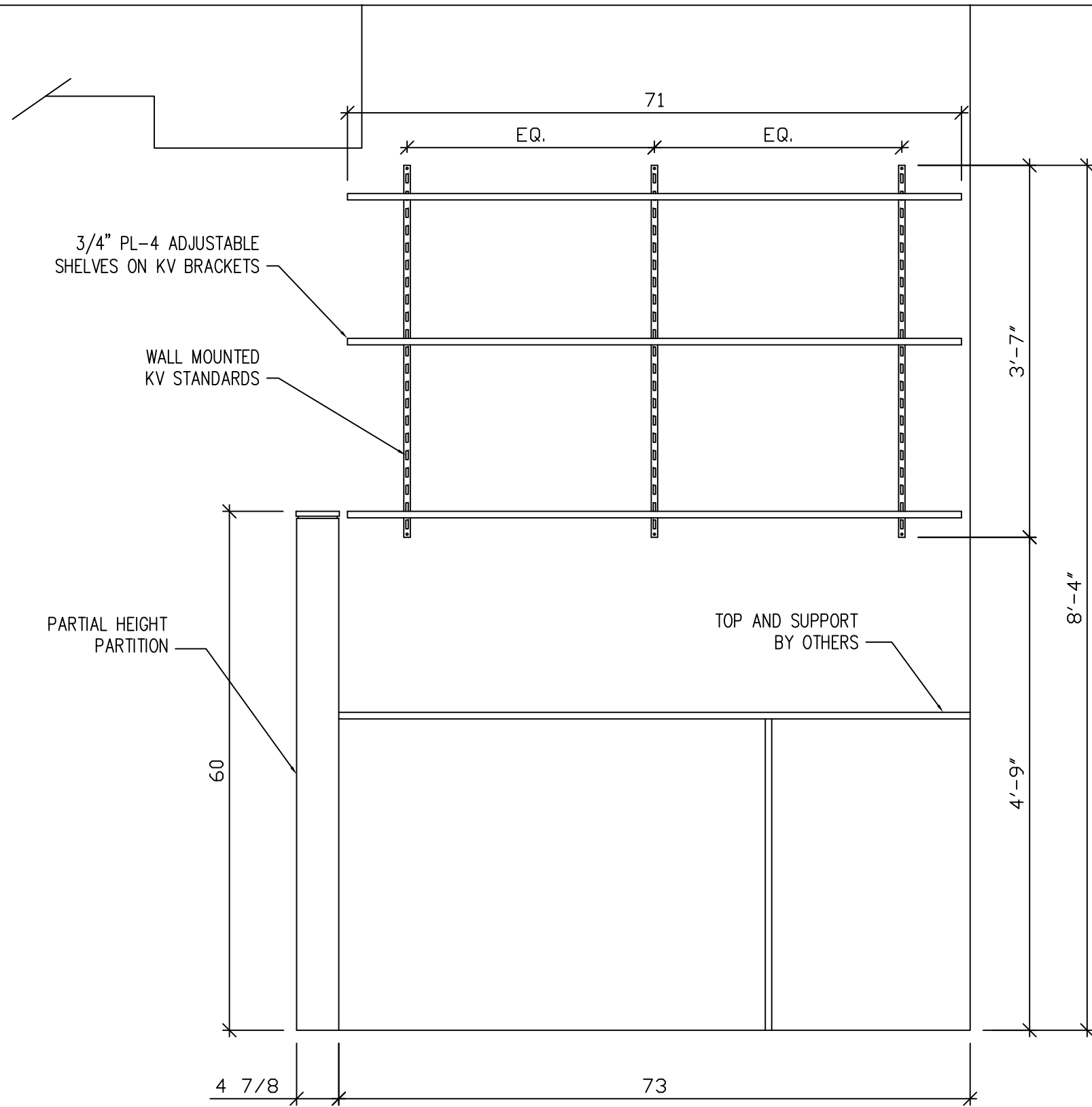
1 SECTION @ BAR STOOLS  
 1 1/2" = 1'-0"  
 N/A



3/4" PL-4 ADJUSTABLE  
SHELVES ON KV BRACKETS  
AND WALL MOUNTED STANDARDS



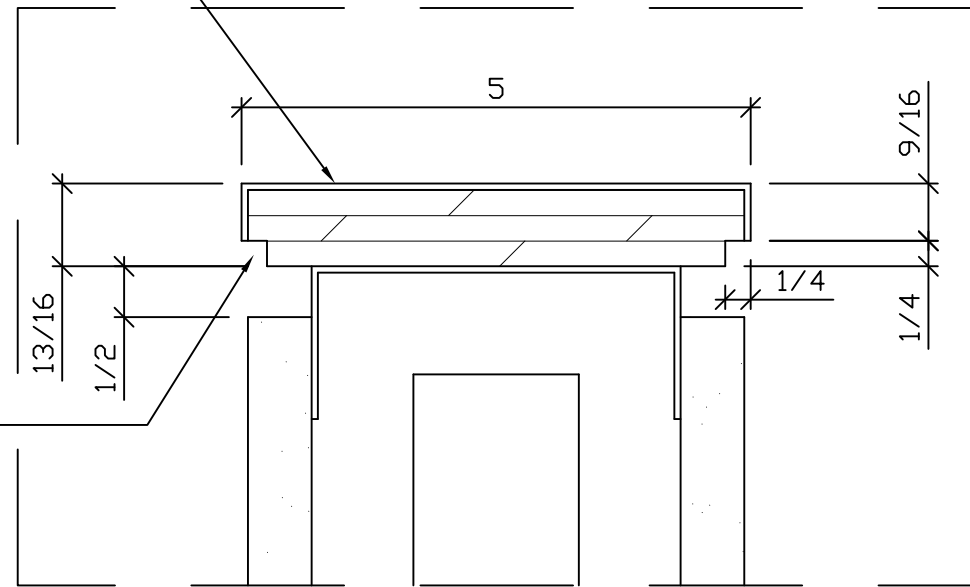
1 PLAN @ SERVERY SHELVING 100  
 3/4" = 1'-0" SHELVES PL-4. ABET LAMINATI; 898 SEI  
 REF.ELEV. 8/A30 ARCH ---



1 ELEVATION @ SERVERY SHELVING 100  
 3/4" = 1'-0" SHELVES PL-4. ABET LAMINATI; 898 SEI  
 REF.ELEV. 8/A3.0 ARCH ----

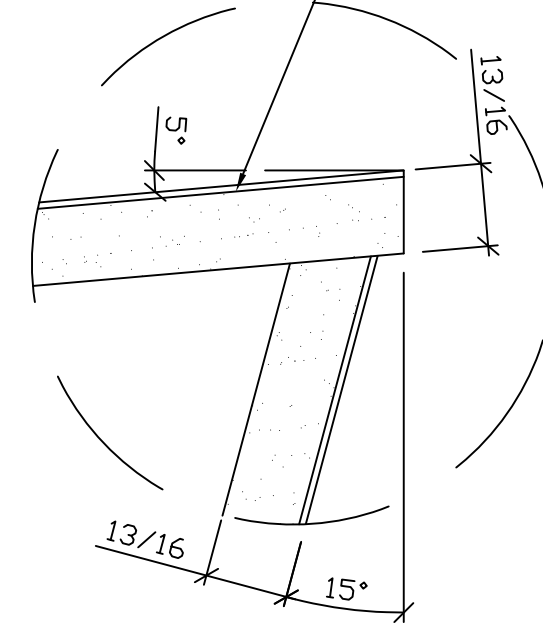
PL-2 WALL  
CAP W/1/4 X 1/4  
KERF EA. SIDE

PAINT TO MATCH  
1/4 X 1/4  
KERF EA. SIDE  
BY OTHERS



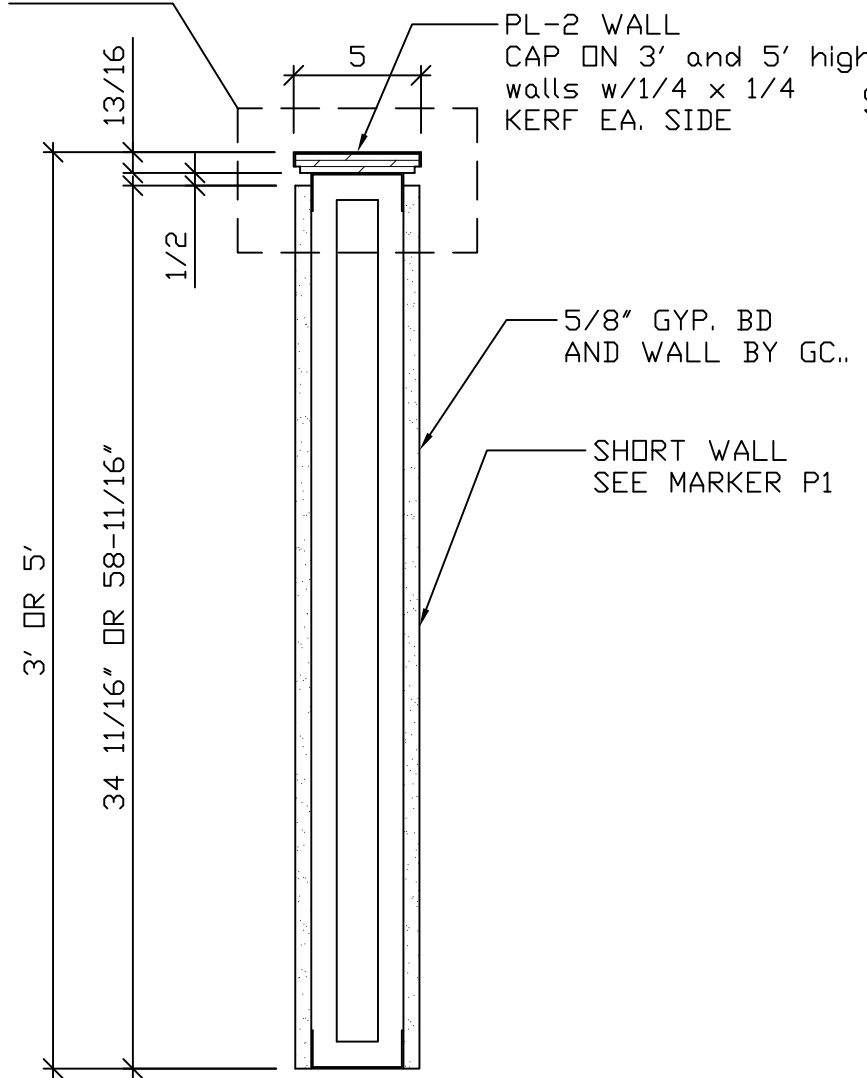
① DETAIL WALL CAP  
HALF SCALE  
N/A

PL-3 ON MDF SUBSTRATE  
W/ EXPOSED MDF EDGES.  
SEAL AND CLEAR COAT EXPOSED  
EDGES



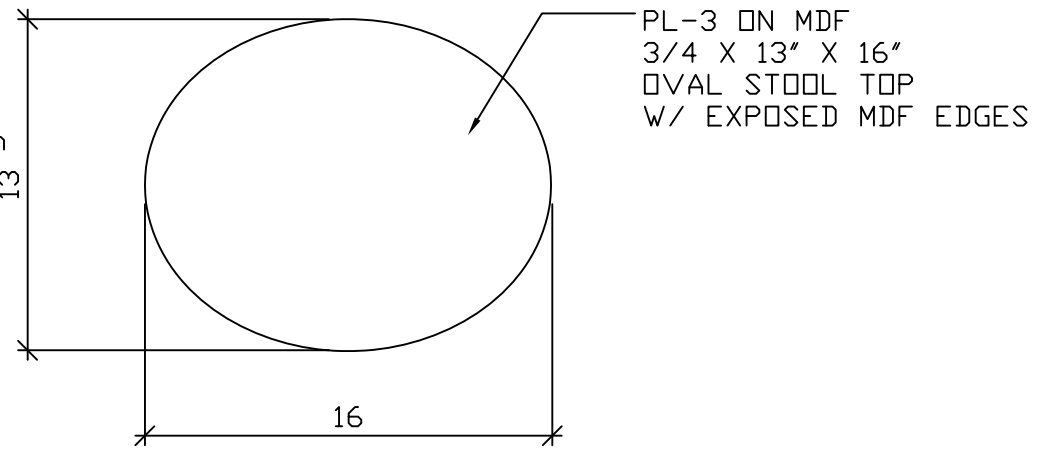
② DETAIL SEAT CORNER  
HALF SCALE  
N/A

SEE PG 9  
DET. 1

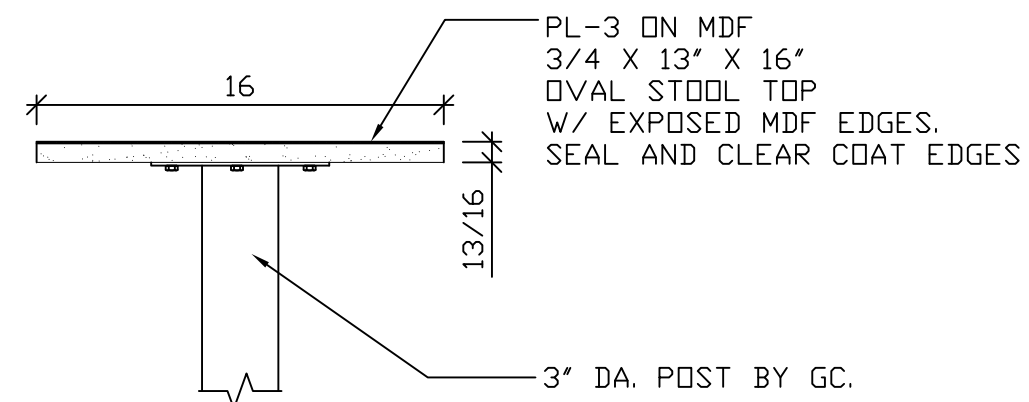


REFER TO SHEET  
A1.0 NOTE, 10 & 11  
FOR WALL HEIGHT

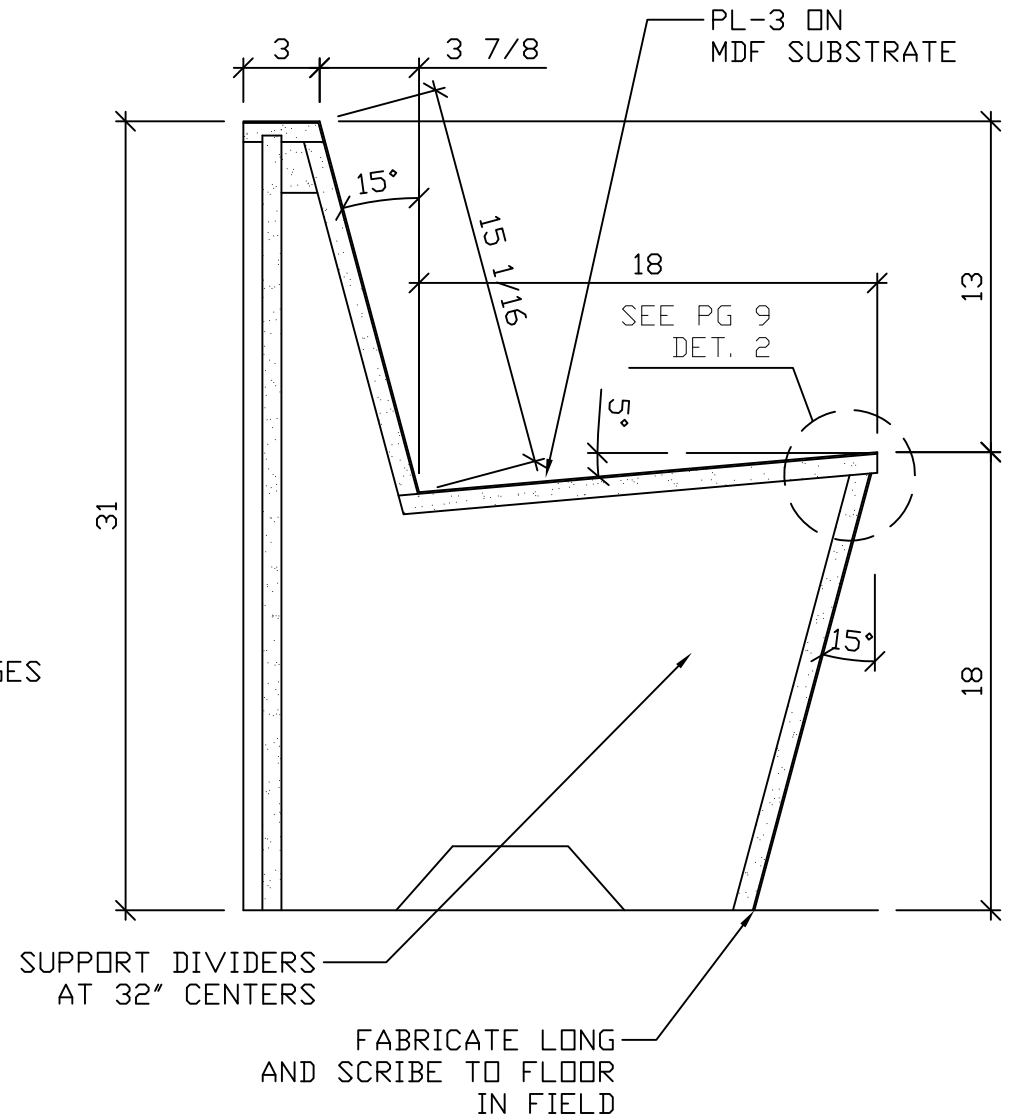
1 SECTION @ WALL CAP LOW WALL  
1 1/2" = 1'-0" TOP PL-2: ABET LAMINATI; 861 SEI  
REF. SECT. P/A3.0 ARCH



2 PLAN VIEW @ OVAL STOOL TOP  
1 1/2" = 1'-0" TOP PL-3: LAMICOLOR; 1011 SUPER MATTE  
REF. PLAN ARCH



3 END VIEW @ OVAL STOOL TOP  
1 1/2" = 1'-0" TOP PL-3: LAMICOLOR; 1011 SUPER MATTE  
REF. SECT. 3/A4.0 ARCH



4 SECTION @ BENCH SEAT  
1 1/2" = 1'-0" REF. SECT. 4/A4.0 ARCH